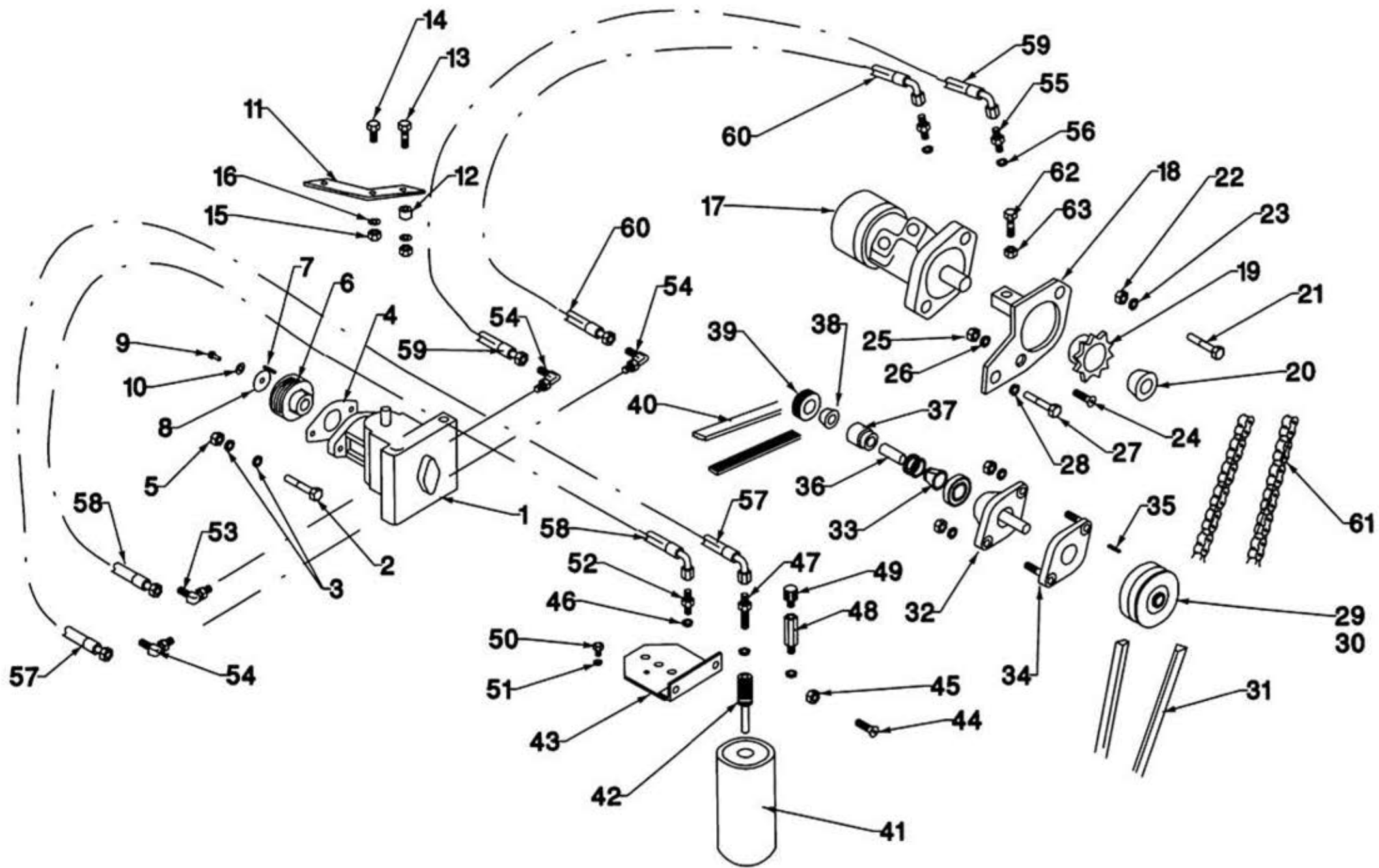


ROLL ASSEMBLY

ITEM No	PART No	DESCRIPTION	No OFF
1	11055001	VIBRATOR SHAFT	1
2	11055003	BEARING HOUSING	2
3	90504001	WHEELNUT M12x1.5	8
4	90106003	BEARING SELF-ALIGNING	2
5	11055004	OUTER SPACER	1
6	11055005	END CAP	1
7	90201012	CIRCLIP 62 INTERNAL	2
8	11055006	SHAFT SPACER	1
9	90202002	CIRCLIP 25 EXTERNAL	1
10	11055036	VIBRATOR PULLEY	1
11	92002003	KEY 5x 5 x 30	1
12	91601012	WASHER M6 LARGE PLAIN	1
13	90401042	SCREW M6 x 20	1
14	91602003	WASHER M6 SPRING	1
15	11055002	VIBRATOR ROLL	1
16	90301002	HUB BOLTM12	8
17	91501001	FLEXIBLE MOUNTING	8
18	11055007	DRIVE HUB	1
19	91601005	WASHER M10	8
20	90503005	NUT NYLOC M10	8
21	91801002	VEE RING SEAL	1
22	11055011	FRAME BEARING HOUSING	1
23	90403005	SCREW M8x35 C'SK	6
24	90102012	BEARING	1

ROLL ASSEMBLY

ITEM No	PART No	DESCRIPTION	No OFF
25	11055008	DRIVE SPROCKET	1
26	90401065	SCREW M8x25	6
27	91602004	WASHER M8 SPRING	6
28	11055009	NON DRIVE HUB	1
29	11055010	NON DRIVE HUB BEARING CAP	1
30	90102005	BEARING	1
31	90202002	CIRCLIP 25 EXT	1
32	90401066	SCREW M8 x 30	4
33	91602004	WASHER M8 SPRING	4



TRANSMISSION & VIBRATOR DRIVE ASSEMBLY

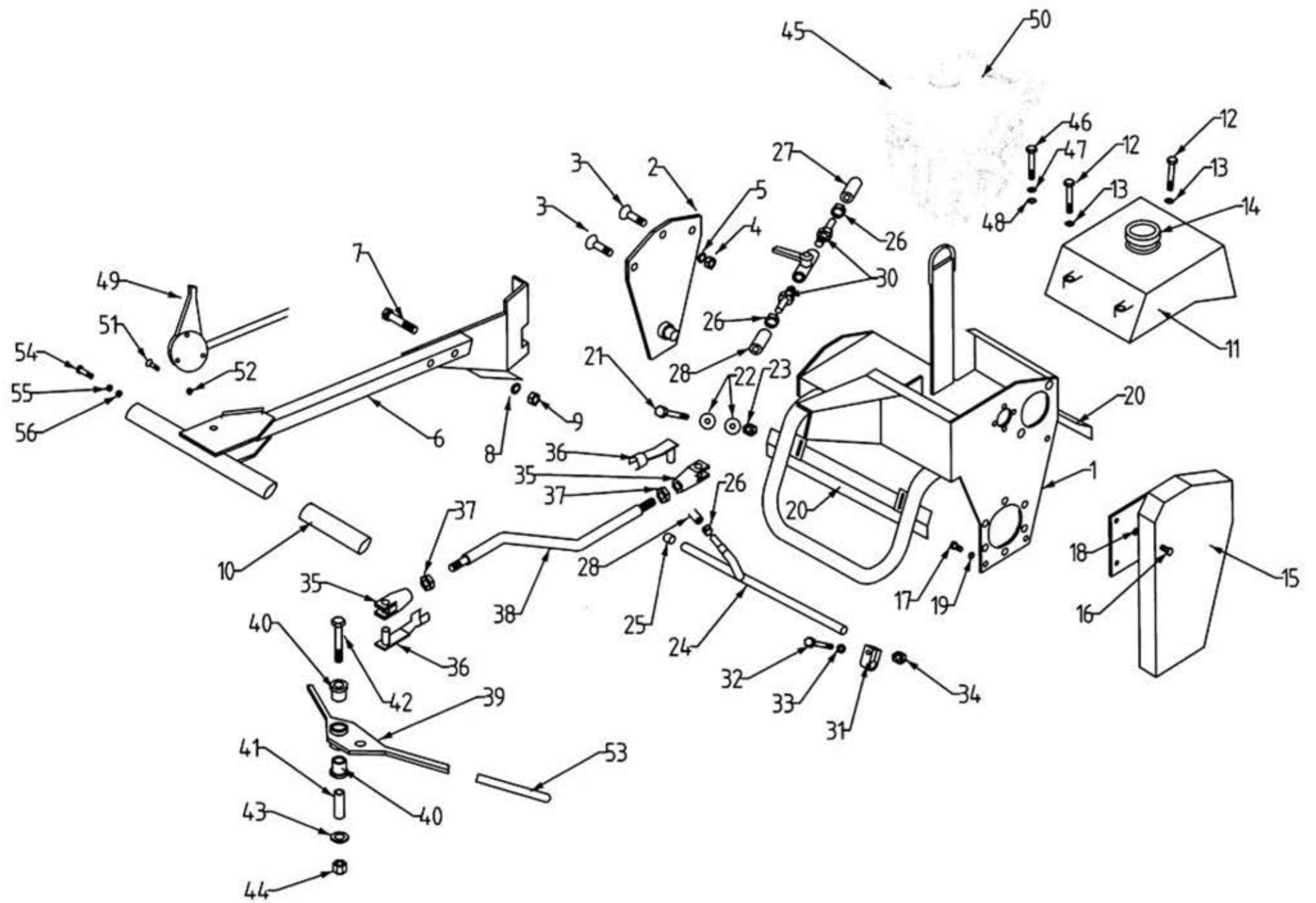
ITEM No	PART No	DESCRIPTION	No OFF
1	91103014	TRANSMISSION PUMP	1
2	90302033	BOLT M10 x 35	2
3	91601005	WASHER M10 PLAIN	4
4	90503005	NUT M10 NYLOC	2
5	90803010	PULLEY 95 OD x 8 GROOVE	1
6	91002008	TAPERLOCK BUSH 1610 x 15	1
7	92002003	KEY 5 x 5 x 30	1
8	11055027	SWASH LEVER	1
9	90302021	BOLT M8 x 40	1
10	91601004	WASHER M8 PLAIN	1
11	90503004	NUT M8 NYLOC	1
12	90302008	BOLT M5 x 35	1
13	90503012	NUT M5 NYLOC	1
14	91601011	WASHER M5 PLAIN	1
15	91104004	TRANSMISSION MOTOR	1
16	11055015	MOTOR MOUNTING PLATE	1
17	90903001	PINNION ½" P 17T-1210 TAPERLOCK	1
18	91001003	TAPERLOCK BUSH 1210-25	1
19	90302062	BOLT M12 x 50	1
20	90503006	NUT M12 NYLOC	1
21	91601006	WASHER M12 PLAIN	1
22	90403002	SKT HD C'SUNK SCREW M10 x 35	1
23	90503005	NUT M10 NYLOC	1
24	91601005	WASHER M10 PLAIN	1

TRANSMISSION & VIBRATOR DRIVE ASSEMBLY

ITEM No	PART No	DESCRIPTION	No OFF
25	90401090	SCREW M10 x 40	1
26	91601005	WASHER M10 PLAIN	1
27	92801002	CENTRIFUGAL CLUTCH	1
28	90801017	VIBRATOR BELT	1
29	11055030	VIBRATOR DRIVE SHAFT HOUSING	1
30	90403008	SKT HD C'SUNK SCREW M8 x 20	4
31	11055029	VIBRATOR DRIVE SHAFT	1
32	92020004	KEY 3/16"sq	1
33	90102006	BEARING	2
34	90201013	CIRCLIP 42 INT	1
35	90202005	CIRCLIP 20 EXT	1
36	92303004	FLEXIBLE COUPLING	1
37	91002004	TAPER LOCK BUSH ¾"-1108	1
38	90803007	PULLEY 63 OD x 8 GROOVE	1
39	90801016	BELT POLY-VEE 8J457	1
40	91107004	FILTER CARTRIDGE	1
41	11055012	SUCTION ADAPTOR	1
42	11055026	FILTER/RES SUPPORT	1
43	90403008	SKT HD C'SUNK SCREW M8 x 20	2
44	91601004	WASHER M8 PLAIN	2
45	90503004	NUT M8 NYLOC	2
46	91202012	SEAL ¼" BSP DOWTY	5
47	11055033	FILLER EXTENSION	1
48	91107005	FILLER / BREATHER	1

TRANSMISSION & VIBRATOR DRIVE ASSEMBLY

ITEM No	PART No	DESCRIPTION	No OFF
49	91202094	B'HEAD ADAPTOR ¼"BSP	1
50	91202035	ADAPTOR ¼"BSP M/M	3
51	11055032	MOTOR ADAPTOR	1
52	90402003	SKT HD CAP SCREW M8 x 20	2
53	91202083	'O' RING Bs114	1
54	91202093	ADAPTOR 7/16"SAE / ¼"BSP	1
55	91202092	ADAPTOR 9/16"SAE / ¼"BSP	1
56	91202091	ADAPTOR 3/4"SAE / ¼"BSP	2
57	93101038	HOSE SUCTION	1
58	93101039	HOSE RETURN	1
59	93101040	HOSE FORWARD	1
60	93101041	HOSE REVERSE	1
61	90901010	CHAIN	1



FRAME & CONTROLS ASSEMBLY

ITEM No	PART No	DESCRIPTION	No OFF
1	11055001	FRAME	1
2	11055028	SIDE PLATE	1
3	90403002	SKT HD C'SUNK SCREW M10 x 35	3
4	90503005	NUT M10 NYLOC	1
5	91601005	WASHER M10 PLAIN	1
6	11055017	HANDLE	1
7	90302040	BOLT M10 x 70	2
8	91601005	WASHER M10 PLAIN	2
9	90503005	NUT M10 NYLOC	2
10	91903001	SLEEVE	2
11	91802003	SEAL	A/R
12	11055014	WATER TANK	1
13	90401065	BOLT M8 x 25	2
14	91601004	WASHER M8 PLAIN	2
15	90401065	BOLT M8 x 25	2
16	91601004	WASHER M8 PLAIN	2
17	91904001	TANK CAP	1
18	11055013	SIDE COVER	1
19	90401063	SCREW M8 x 20	2
20	91601004	WASHER M8 PLAIN	2
21	90401061	SCREW M8 x 16	3
22	91602004	WASHER M8 SPRING	3
23	11055034	SCRAPER ASSY (11055019 BLADE ONLY)	2
24	90401063	SCREW M8 x 20	4

FRAME & CONTROLS ASSEMBLY

ITEM No	PART No	DESCRIPTION	No OFF
25	91601004	WASHER M8 PLAIN	8
26	90503004	NUT M8 NYLOC	8
27	11055035	SPRAYBAR	1
28	91201019	CAP	2
29	90204001	HOSE CLIP	4
30	91201006	HOSE	1
31	91201006	HOSE	1
32	91201022	WATER TAP	1
33	91201009	ADAPTOR	2
34	90203006	CLAMP	2
35	90302009	BOLT M6 x 40	2
36	91601003	WASHER M6 PLAIN	2
37	11055016	DEADMANS BRACKET	1
38	91601015	WASHER M8 PLAIN LARGE	2
39	90503004	NUT M8 NYLOC	2
40	11055021	DEADMANS SHAFT	1
41	11071026	DEADMANS WASHER	2
42	92201011	SPRING	2
43	90120006	BUSH	2
44	90501004	NUT M8 PLAIN	1
45	90702005	BALLJOINT M8 INLINE	1
46	90702003	ROD END M8	1
47	91601004	WASHER M8 PLAIN	1
48	90503004	NUT M8 NYLOC	1

FRAME & CONTROLS ASSEMBLY

ITEM No	PART No	DESCRIPTION	No OFF
49	90701001	CLEVIS	1
50	90701002	SPRING PIN	1
51	90501005	NUT M10 PLAIN	1
52	11055024	FORWARD/REVERSE LEVER	2
53	90120006	BUSH	1
54	11055025	SPACER	1
55	90302025	BOLT M8 x 60	1
56	91601004	WASHER M8 PLAIN	1
57	90503004	NUT M8 NYLOC	2
58	91903002	SLEEVE	1
59	11055022	CONTROL ROD	1
60	11055023	CONTROL ROD END	2
61	90501005	NUT M10 PLAIN	1
62	90701001	CLEVIS	1
63	90701002	SPRING PIN	1
64	11057036	ENGINE	4
65	90302020	BOLT M8 x 35	4
66	91602004	WASHER M8 SPRING	4
67	91601004	WASHER M8 PLAIN	4
68	93001001	THROTTLE LEVER & CABLE	1
69	90403007	SKT HD C'SUNK SCREW M5 x 16	2
70	91601011	WASHER M5 PLAIN	2
71	90503012	NUT M5 NYLOC	2