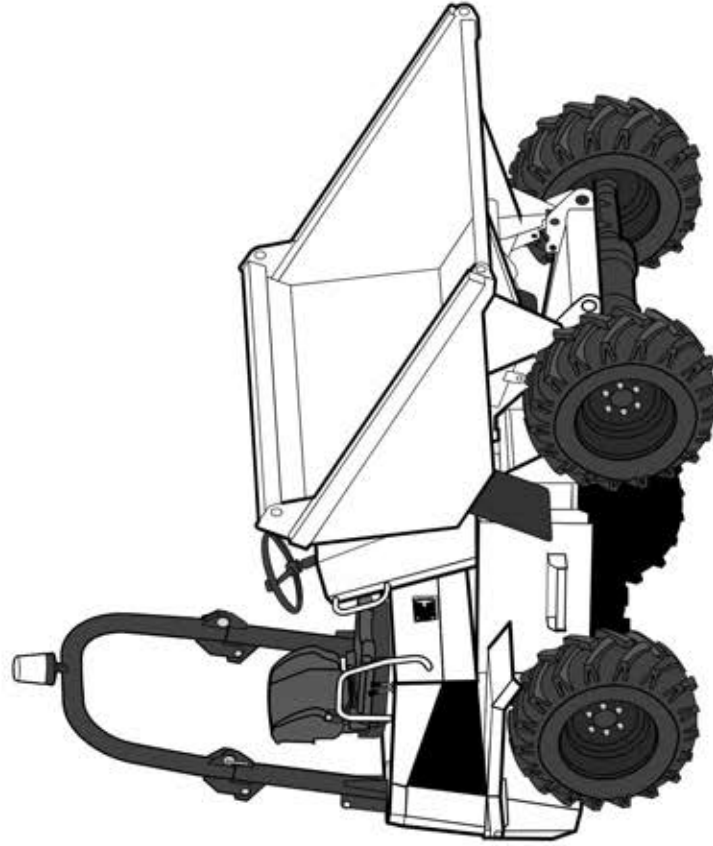


**Thwaites**

**865 - 6 TONNE FORWARD TIP**

**allparts**



**Thwaites**  
**allparts**

Pes Plant Ltd  
Beare Works  
Nr Exeter  
EX5 3JX  
Tel - 01392 882220  
Email - office@pesplant.co.uk  
Web - www.pesplant.co.uk

FROM VIN No.

DATED

VIN No.

ENGINE BUILD No.

PAYLOAD

SKIP

TRANSMISSION

TYPE

PREFIX No.

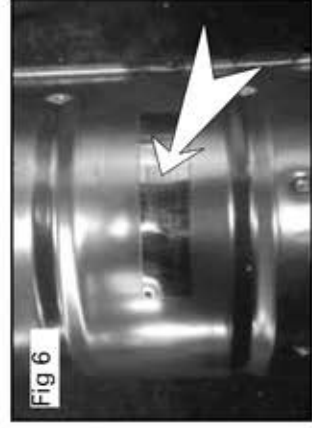
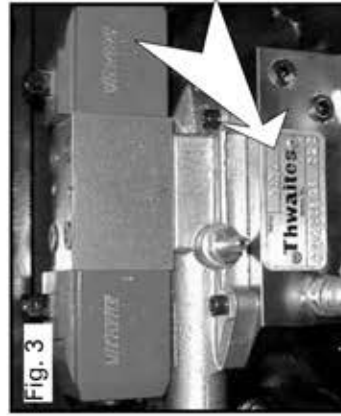
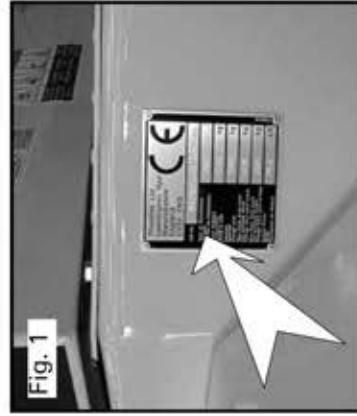
6 TONNE

FORWARD TIP

POWERSHUTTLE

MACH 865

## MACHINE IDENTIFICATION



**Serial Numbers**  
Please quote machine serial numbers when in communication with your Thwaites distributor.

**Model Type (Fig 1.)**

**Vin N° (Fig 1.)**

**Engine Serial N° (Fig 2.)**

**Gearbox Serial N° (Fig 3.)**

**Axle Serial N° (Fig 4.)**

**Transfer Box Serial N° (Fig 5.)**

**Diesel Oxidation Catalytic or Diesel Particle Filter No (Fig 6.)**

## VEHICLE IDENTIFICATION NUMBER - (VIN)

Thwaites have now adopted the international identification system known as VEHICLE IDENTIFICATION NUMBER normally referred to as VIN.



When ordering replacement spares it is important that the model or MACH number is used to identify the correct parts manual.

SLC | M865 | Z1301C5964 \*

The year of manufacture:

SLC | M865 | Z1301C5964 \*

The Machine Parts Manual issue level denoted by the two digit Prefix Number:

SLC | M865 | Z1301C5964 \*

The unique machine serial number:

SLC | M865 | Z1301C5964 \*

Please ensure that these numbers are quoted in all correspondence with your Thwaites distributor.

The VIN number incorporates a number of security features and also the machine model and individual serial number.

**Important note:** *Do not use this parts manual to order replacement spares if the prefix level of your machine is higher than the number quoted at the front of this parts manual.*

## CONTENTS

\*DENOTES MODIFICATION - SEE MODIFICATION & ADDITIONS PAGES

SECTION TITLE	PAGE No.
REAR COVER ASSEMBLY	1
REAR CHASSIS ASSEMBLY	2
SEAT ASSEMBLY	3
CONTROL MOUNTING BRACE ASSEMBLY	4
ENGINE COVER ASSEMBLY	5
SKIP ASSEMBLY	6
FRONT CHASSIS ASSEMBLY	7
KINGLINK ASSEMBLY	8
DUMP PEDAL ASSEMBLY	9
BRAKE PEDAL ASSEMBLY	10
BRAKE CIRCUIT	11
LEG GUARD ASSEMBLY	12
THROTTLE PEDAL ASSEMBLY	13
BATTERY BOX ASSEMBLY	14
VEHICLE HARNESS	15
FUSE BOX	17
DASH PANEL ASSEMBLY	18
STEERING ASSEMBLY	19
TIPPING VALVE ASSEMBLY	20
HYDRAULIC TANK ASSEMBLY	21
HYDRAULIC CIRCUIT	22
TIPPING RAM ASSEMBLY - LH	24
TIPPING RAM ASSEMBLY - RH	25
STEERING RAM ASSEMBLY	26
TRANSMISSION DRIVE & HYDRAULIC PUMP	27
TRANSMISSION - GEAR CHANGE	28
TRANSMISSION - EXTERNAL	29

## CONTENTS

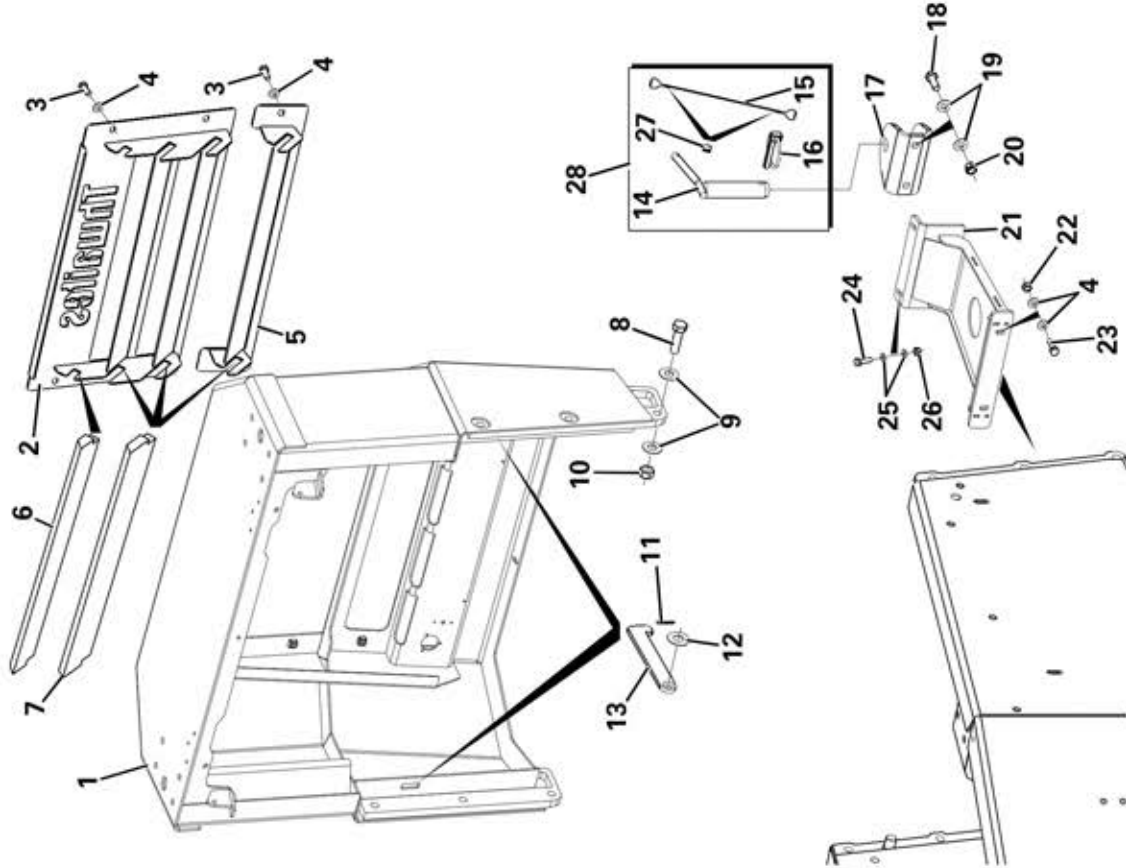
\*DENOTES MODIFICATION - SEE MODIFICATION & ADDITIONS PAGES

SECTION TITLE	PAGE No.
TRANSMISSION - INTERNAL	30
TRANSMISSION - REVERSE UNIT	32
ENGINE AND GEARBOX MOUNTINGS	33
ENGINE & ACCESSORIES	34
EXHAUST SYSTEM - DOC	36
RADIATOR ASSEMBLY	37
RADIATOR SEALS AND FIXINGS	39
RADIATOR HOSES	40
AIR CLEANER ASSEMBLY	41
FUEL TANK ASSEMBLY	42
TRANSFER BOX ASSEMBLY	44
HANDBRAKE ASSEMBLY	45
PROPSHAFTS	47
WHEEL & TYRE ASSEMBLY	48
ROPS FRAME ASSEMBLY	49
AXLE & HUB REDUCTION	50
AXLE - CENTRAL HOUSING	51
AXLE - DIFFERENTIAL	52
AXLE - BRAKES	53
ROAD LIGHTS	54
ROPS/FOPS CANOPY FRAME	56
ROAD EQUIPMENT KIT	57
ROAD MIRRORS	58
XENON BEACON	59
LED BEACON	60
TRAILER SOCKET	61
ADJUSTABLE TOW BRACKET	62

## CONTENTS

\*DENOTES MODIFICATION - SEE MODIFICATION & ADDITIONS PAGES

SECTION TITLE	PAGE No.
BROADBAND SOUND REVERSE ALARM	63
REVERSING STROBE	64
SAND TYRES	65
MPT WHEEL & TYRE ASSEMBLY	66
WHEEL ASSEMBLY (HI FLOAT)	67
SEATBELT MOTION INHIBIT	68
GREEN BEACON MOTION INHIBIT	69
FAN GUARD	70
MODIFIED AND ADDITIONAL PARTS	71

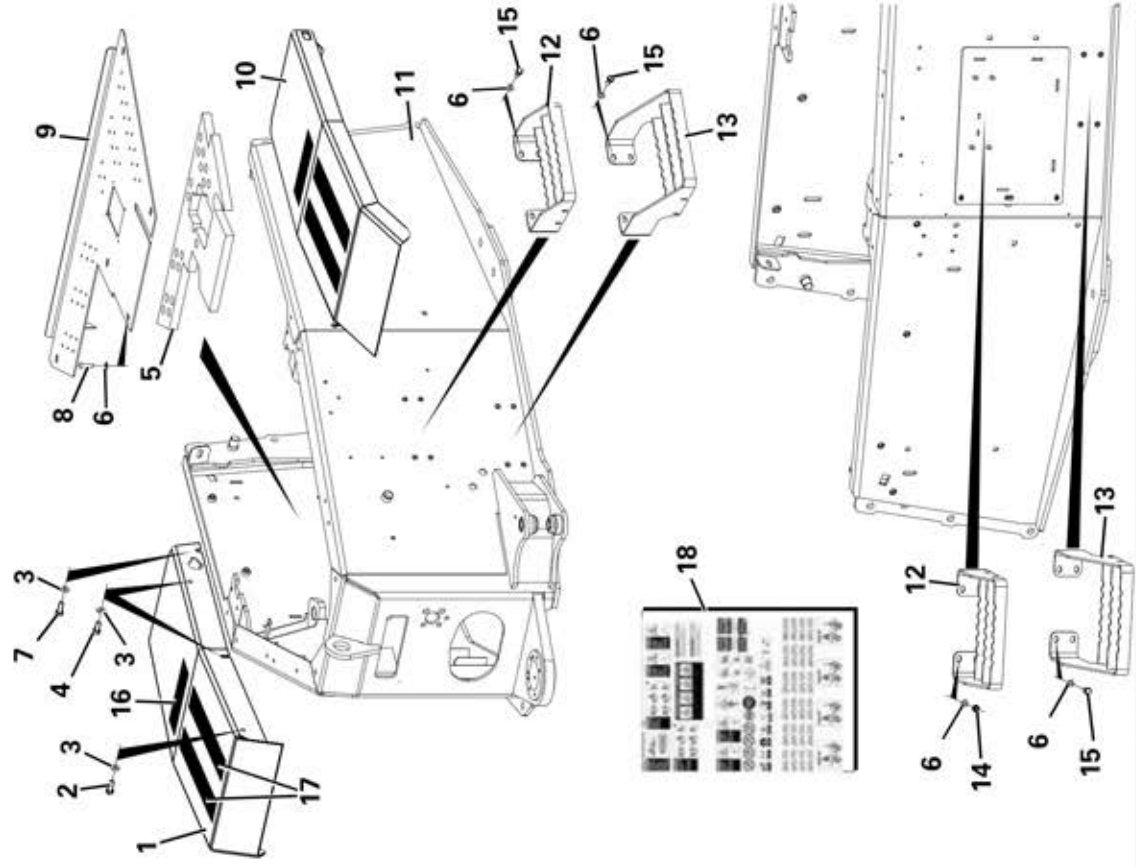


**REAR COVER ASSEMBLY**

Item	Part No.	Description	Qty	U/M
1		REAR COVER	1.0	EA
2		UPPER REAR GRILLE	1.0	EA
3		SET SCREW	6.0	EA
4		HEAVY DUTY WASHER	10.0	EA
5		REAR GRILLE (LOWER)	1.0	EA
6		SOUND PROOFING PANEL (SMALL)	1.0	EA
7		SOUND PROOFING PANEL (LARGE)	3.0	EA
8		BOLT	6.0	EA
9		HEAVY DUTY WASHER	12.0	EA
10		STOVER NUT	6.0	EA
11		SPLIT PIN	2.0	EA
12		WASHER	2.0	EA
13		STRAP RETAINER	2.0	EA
14		TOWING PIN	1.0	EA
15		TOWING PIN RETAINING CABLE	1.0	EA
16		LINCH PIN	1.0	EA
17		TOWING JAW	1.0	EA
18		SET SCREW	2.0	EA
19		WASHER	4.0	EA
20		PHILIDAS NUT	2.0	EA
21		TOW BAR BRACKET	1.0	EA
22		PHILIDAS NUT	2.0	EA
23		SET SCREW	2.0	EA
24		SET SCREW	2.0	EA
25		HEAVY DUTY WASHER	4.0	EA
26		PHILIDAS NUT	2.0	EA
27		COPPER SLEEVE	2.0	EA
28		TOWING PIN ASSY	1.0	EA

**REAR CHASSIS ASSEMBLY**

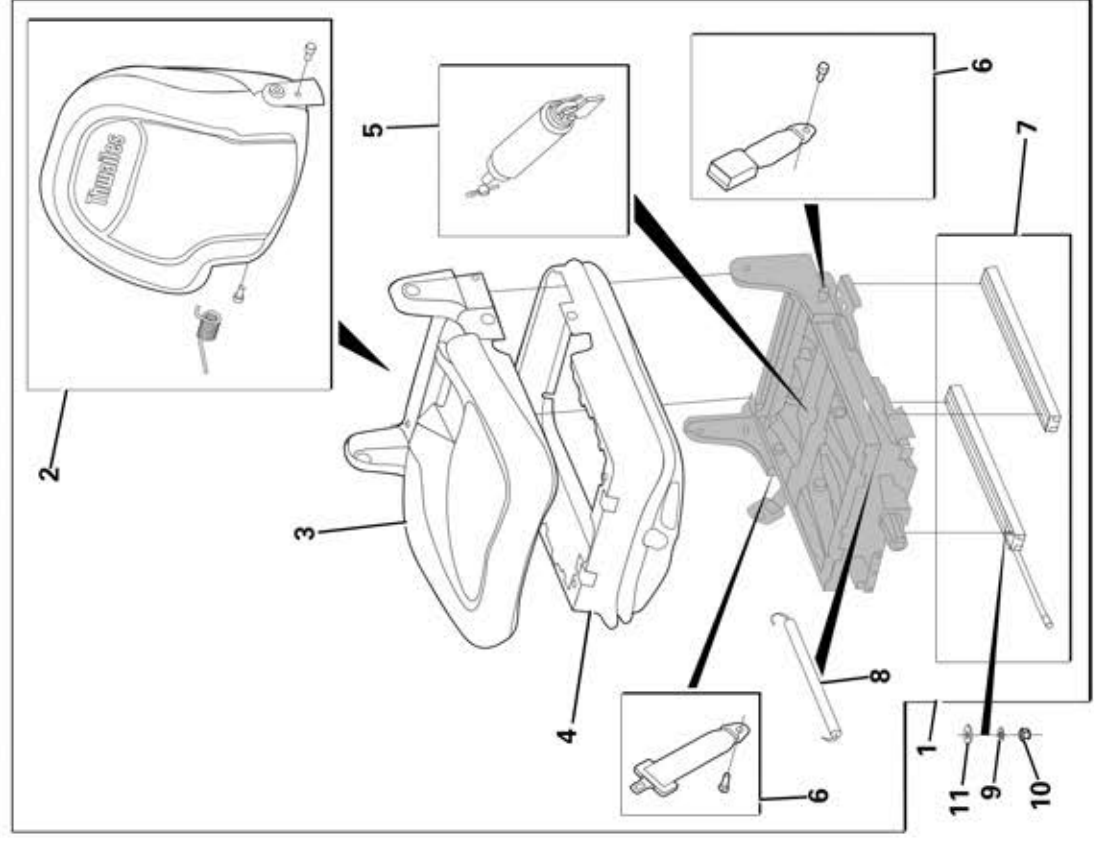
Item	Part No.	Description	Qty	U/M
1		REAR MUDGUARD R/H	1.0	EA
2		SET SCREW	2.0	EA
3		HEAVY DUTY WASHER	8.0	EA
4		SET SCREW	4.0	EA
5		SOUND INSULATION (FLOORPLATE)	1.0	EA
6		HEAVY DUTY WASHER	21.0	EA
7		SET SCREW	2.0	EA
8		SOCKET DOME HEAD SCREW	5.0	EA
9		FLOORPLATE SHUTTLE	1.0	EA
10		REAR MUDGUARD L/H	1.0	EA
11		REAR CHASSIS	1.0	EA
12		STEP (UPPER)	2.0	EA
13		STEP (LOWER)	2.0	EA
14		PHILIDAS NUT	4.0	EA
15		SET SCREW	12.0	EA
16		ANTI SLIP MAT	2.0	EA
17		ANTI SLIP MAT	4.0	EA
18		SAFETY DECALS-(UK) SAFETY DECALS-(CON)	1.0	EA





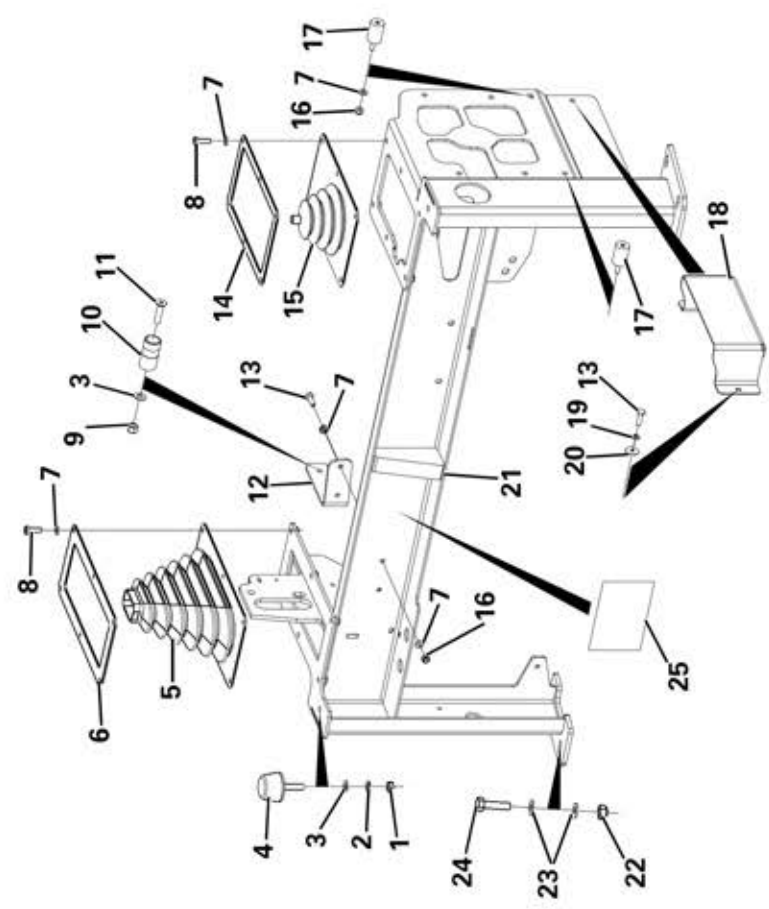
**SEAT ASSEMBLY**

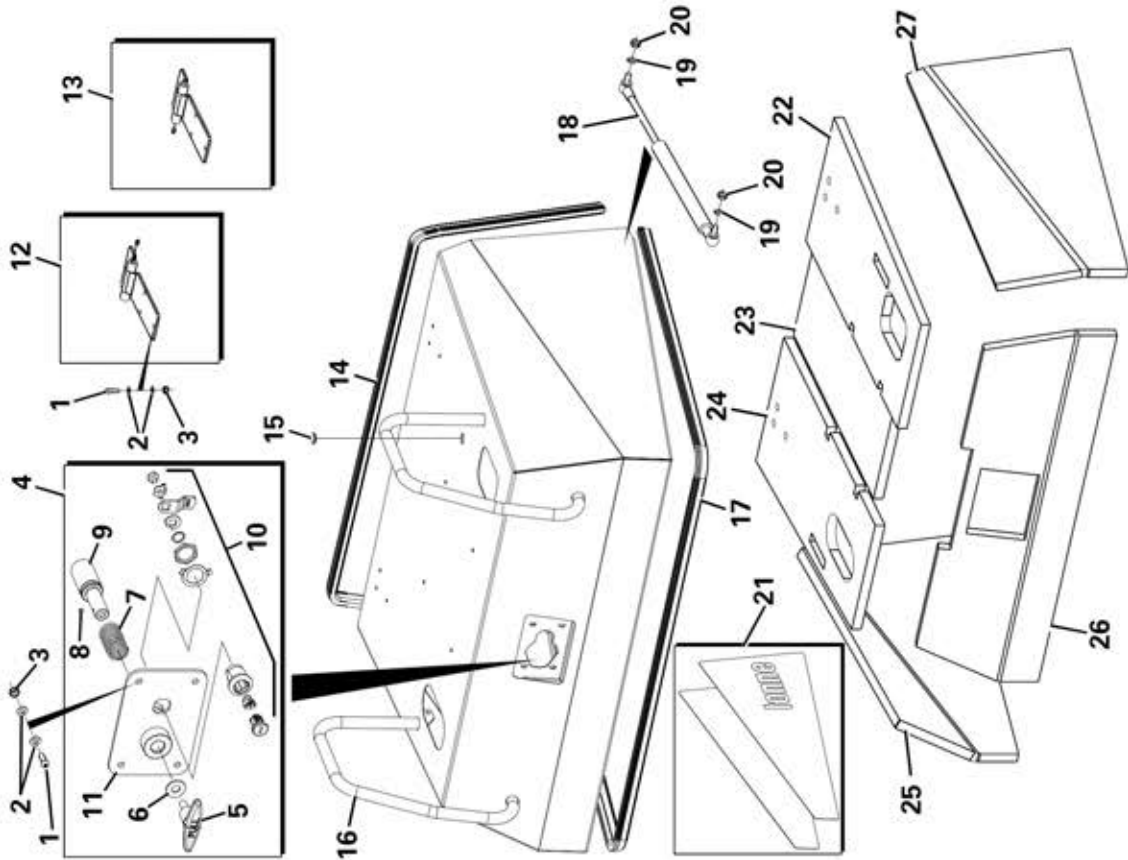
Item	Part No.	Description	Qty	U/M
1		SEAT	1.0	EA
2		BACK CUSHION KIT	1.0	EA
3		SEAT CUSHION KIT	1.0	EA
4		BOOT	1.0	EA
5		DAMPER KIT	1.0	EA
6		SEATBELT KIT	1.0	EA
7		SLIDE RAIL ADJUSTER KIT	1.0	EA
8		TRANSFER ROD	1.0	EA
9		PLAIN WASHER	4.0	EA
10		NYLOC NUT	4.0	EA
11		HEAVY DUTY WASHER	4.0	EA



**CONTROL MTG BRACE ASSEMBLY**

Item	Part No.	Description	Qty	U/M
1		NUT	2.0	EA
2		SPRING WASHER	2.0	EA
3		WASHER	3.0	EA
4		RUBBER BUFFER	2.0	EA
5		GAITER	1.0	EA
6		GAITER RETAINING PLATE	1.0	EA
7		WASHER	17.0	EA
8		PAN HEAD SCREW	12.0	EA
9		NYLOC NUT	1.0	EA
10		BEACON POST	1.0	EA
11		SOCKET C/SUNK HD SCREW	1.0	EA
12		BEACON STORAGE BRACKET	1.0	EA
13		SET SCREW	4.0	EA
14		TIPPING GAITER RETAINING PLATE	1.0	EA
15		TIPPING LEVER GAITER	1.0	EA
16		NYLOC NUT	3.0	EA
17		BOBBIN	4.0	EA
18		ECU SPLASH GUARD	1.0	EA
19		SPRING WASHER	2.0	EA
20		HEAVY DUTY WASHER	2.0	EA
21		CROSS BRACE	1.0	EA
22		PHILIDAS NUT	4.0	EA
23		HEAVY DUTY WASHER	8.0	EA
24		BOLT	4.0	EA
25		MAINTENANCE DECAL	1.0	EA



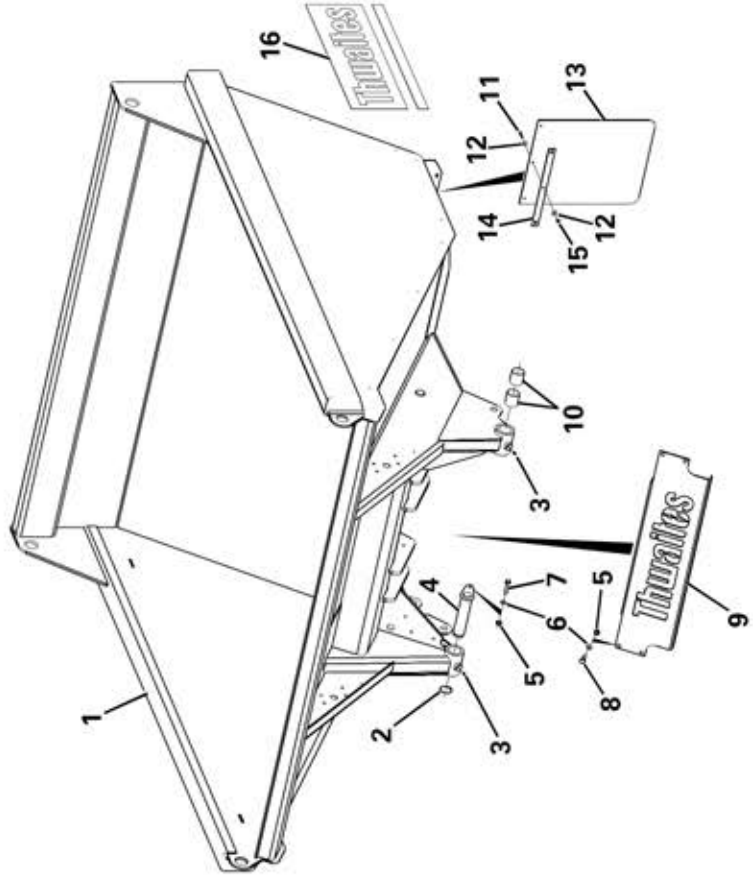


**ENGINE COVER ASSEMBLY**

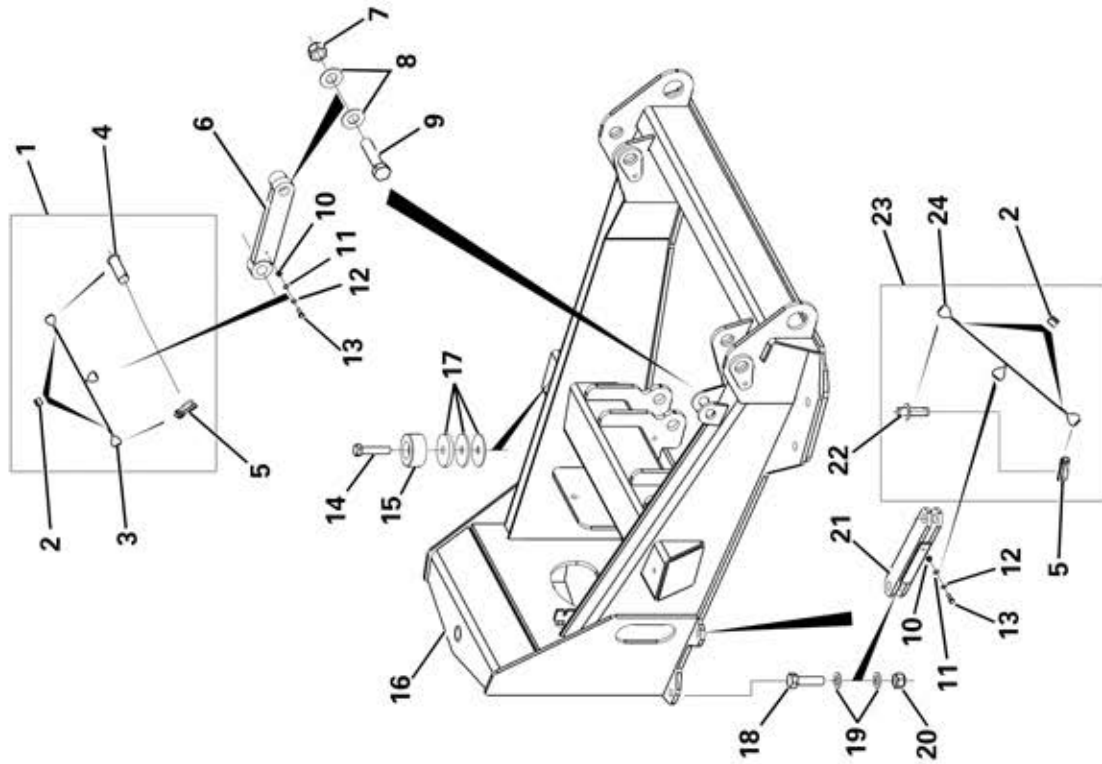
Item	Part No.	Description	Qty	U/M
1		SOCKET DOME HEAD SCREW	16.0	EA
2		WASHER	32.0	EA
3		NYLOC NUT	16.0	EA
* 4		LOCK ASSY	1.0	EA
5		RENCOL HANDLE	1.0	EA
6		HEAVY DUTY WASHER	1.0	EA
7		SPRING	1.0	EA
8		GRUB SCREW	1.0	EA
* 9		LOCK PLUNGER	1.0	EA
* 10		COMPARTMENT LOCK	1.0	EA
* 11		WELDED LOCK ASSY	1.0	EA
12		HINGE RH (CW GREASE NIPPLE)	1.0	EA
13		HINGE LH (CW GREASE NIPPLE)	1.0	EA
14		SEAL	1.0	EA
15		BLANKING GROMMET	1.0	EA
16		ENGINE BONNET	1.0	EA
17		BONNET SEAL	1.0	EA
18		GAS STRUT	2.0	EA
19		SPRING WASHER	4.0	EA
20		NUT	4.0	EA
21		ENGINE COVER DECALS 5T	1.0	EA
		ENGINE COVER DECALS 6T	1.0	EA
		ENGINE COVER DECALS 9T	1.0	EA
22		SOUND INSULATION (TOP LH)	1.0	EA
23		SOUND INSULATION (TOP CENTRE)	1.0	EA
24		SOUND INSULATION (TOP RH)	1.0	EA
25		SOUND INSULATION (RH)	1.0	EA
26		SOUND INSULATION (FRONT)	1.0	EA
27		SOUND INSULATION (LH)	1.0	EA

**SKIP ASSEMBLY**

Item	Part No.	Description	Qty	U/M
1		SKIP	1.0	EA
2		CIRCLIP	2.0	EA
3		GREASE NIPPLE	2.0	EA
4		SKIP PIVOT PIN	2.0	EA
5		PHILIDAS NUT	6.0	EA
6		HEAVY DUTY WASHER	6.0	EA
7		BOLT	2.0	EA
8		SET SCREW	4.0	EA
9		NAMEPLATE	1.0	EA
10		BUSH	4.0	EA
11		SOCKET DOME HEAD SCREW	6.0	EA
12		HEAVY DUTY WASHER	12.0	EA
13		MUDFLAP RUBBER	2.0	EA
14		MUDFLAP RETAINER	2.0	EA
15		PHILIDAS NUT	6.0	EA
16		RECTANGULAR SKIP DECAL	2.0	EA



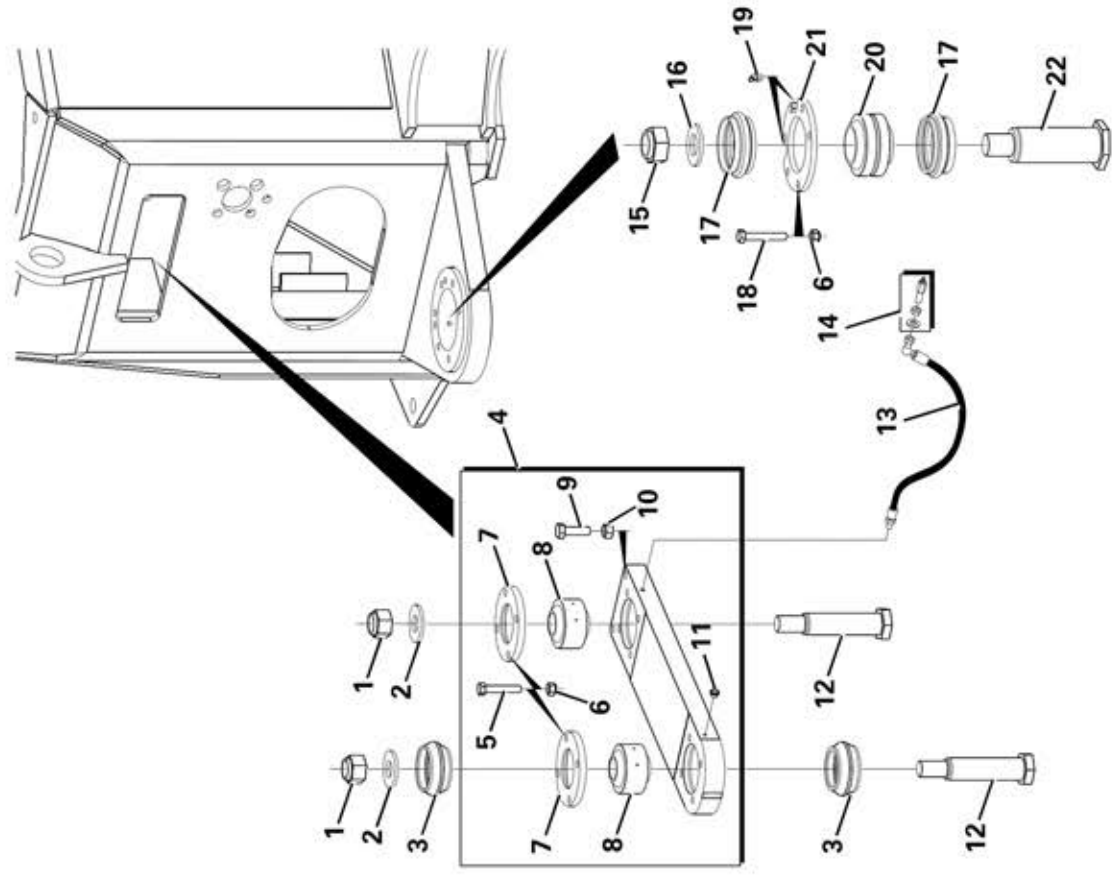
**FRONT CHASSIS ASSEMBLY**



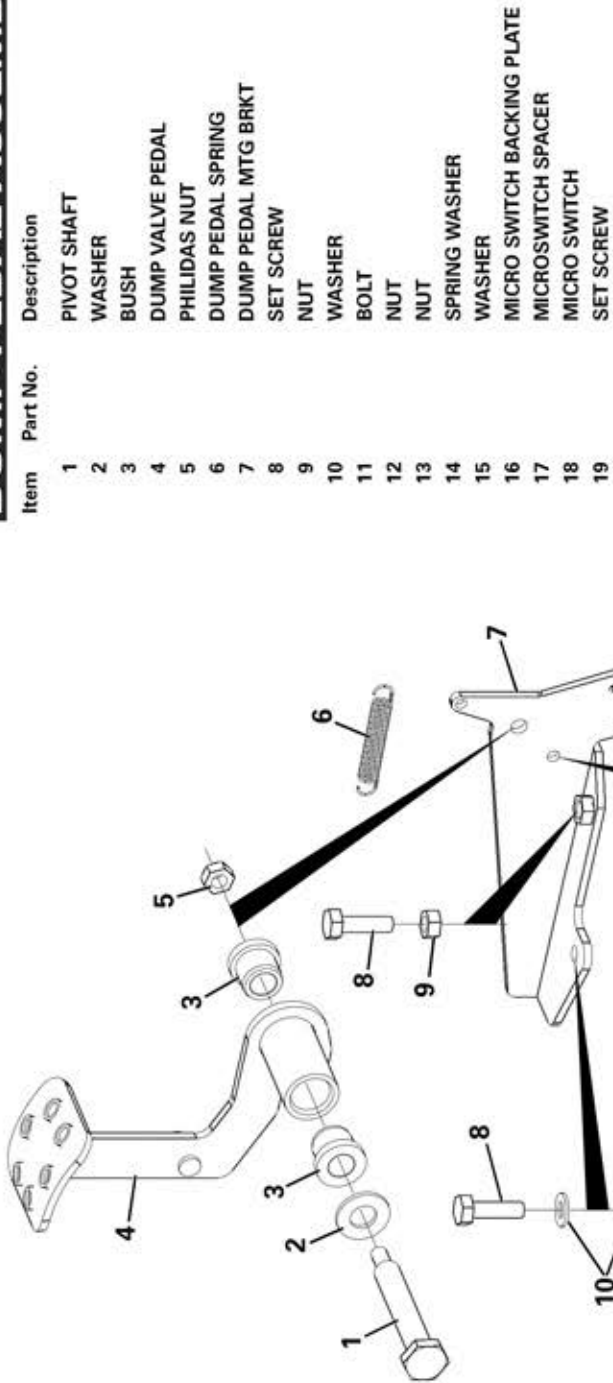
Item	Part No.	Description	Qty	U/M
1		SKIP PROP PIN ASSY	1.0	EA
2		COPPER SLEEVE	4.0	EA
3		PIN RETAINING CABLE	1.0	EA
4		SKIP PROP PIN	1.0	EA
5		LYNCH PIN	2.0	EA
6		SKIP PROP	1.0	EA
7		PHILIDAS NUT	1.0	EA
8		WASHER	2.0	EA
9		BOLT	1.0	EA
10		NYLOC NUT	2.0	EA
11		WASHER	2.0	EA
12		HEAVY DUTY WASHER	2.0	EA
13		SET SCREW	2.0	EA
14		SET SCREW	2.0	EA
15		SKIP PAD	2.0	EA
16		FRONT CHASSIS	1.0	EA
17		SKIP PAD SPACER 3mm	A/R	EA
		SKIP PAD SPACER 5mm	A/R	EA
		SKIP PAD SPACER 10mm	A/R	EA
18		BOLT	1.0	EA
19		WASHER	2.0	EA
20		STOVER NUT	1.0	EA
21		CHASSIS LOCK BAR	1.0	EA
22		CHASSIS LOCK PIN	1.0	EA
23		CHASSIS LOCK PIN ASSY	1.0	EA
24		PIN RETAINING CABLE	1.0	EA

**KINGLINK ASSEMBLY**

Item	Part No.	Description	Qty	U/M
1		LOCKNUT	2.0	EA
2		HEAVY DUTY WASHER	2.0	EA
3		RUBBER DUST SEAL	2.0	EA
4		KINGLINK ASSEMBLY	1.0	EA
5		BOLT	8.0	EA
6		NYLOC NUT	14.0	EA
7		BEARING CAP	2.0	EA
8		SPHERICAL BEARING	2.0	EA
9		SET SCREW	2.0	EA
10		NUT	2.0	EA
11		GREASE NIPPLE	1.0	EA
12		TOP PIVOT BOLT	2.0	EA
13		GREASE PIPE	1.0	EA
14		GREASE NIPPLE ASSEMBLY	1.0	EA
15		PHILIDAS NUT	1.0	EA
16		WASHER	1.0	EA
17		DUST SEAL	2.0	EA
18		BOLT	6.0	EA
19		GREASE NIPPLE	2.0	EA
20		SPHERICAL PLAIN BEARING	1.0	EA
21		BEARING CAP	1.0	EA
22		BOTTOM PIVOT BOLT	1.0	EA



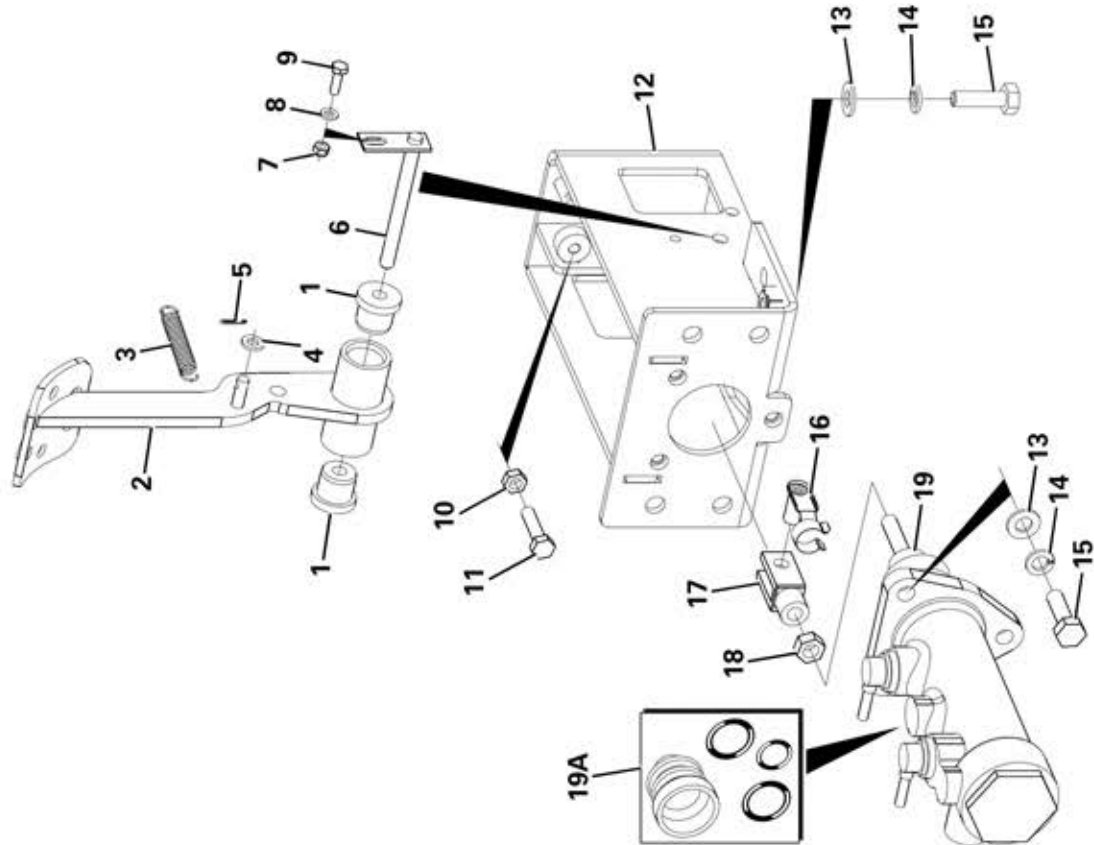
**DUMP PEDAL ASSEMBLY**



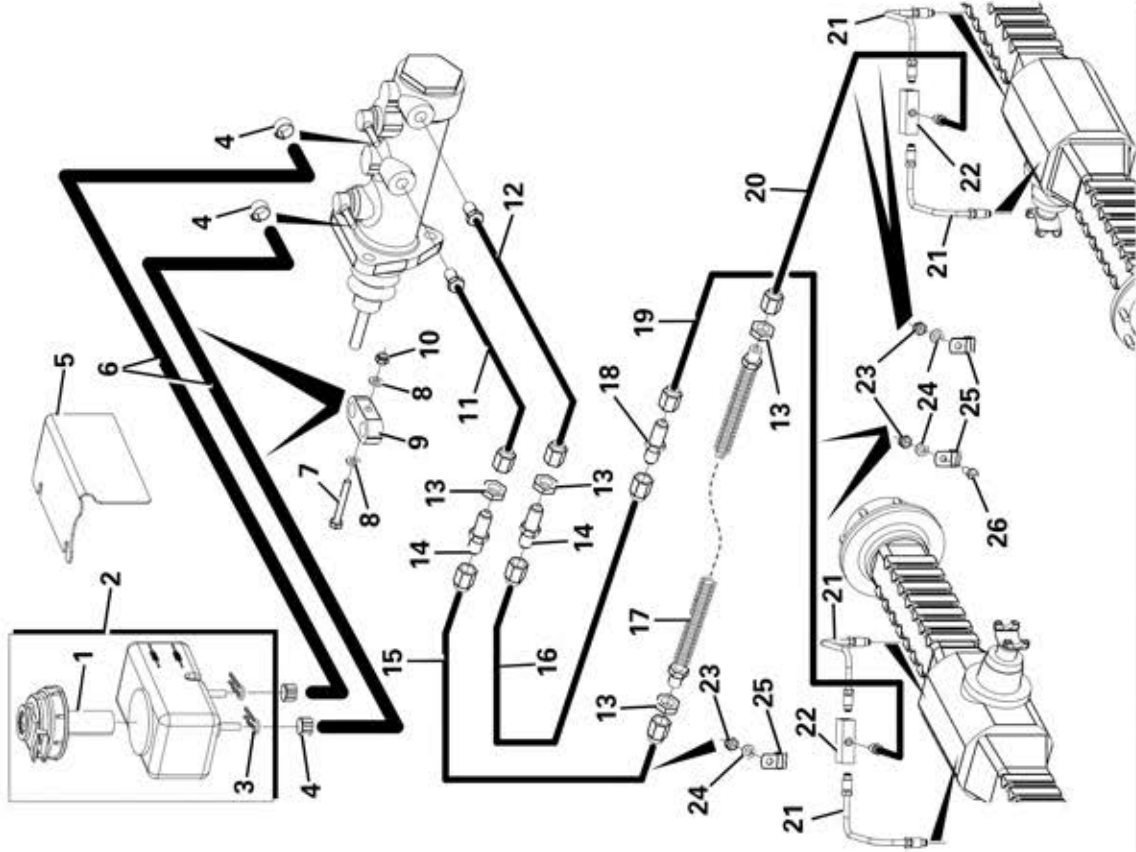
Item	Part No.	Description	Qty	U/M
1		PIVOT SHAFT	1.0	EA
2		WASHER	1.0	EA
3		BUSH	2.0	EA
4		DUMP VALVE PEDAL	1.0	EA
5		PHILIDAS NUT	3.0	EA
6		DUMP PEDAL SPRING	1.0	EA
7		DUMP PEDAL MTG BRKT	1.0	EA
8		SET SCREW	3.0	EA
9		NUT	1.0	EA
10		WASHER	4.0	EA
11		BOLT	1.0	EA
12		NUT	2.0	EA
13		NUT	2.0	EA
14		SPRING WASHER	2.0	EA
15		WASHER	2.0	EA
16		MICRO SWITCH BACKING PLATE	2.0	EA
17		MICRO SWITCH SPACER	2.0	EA
18		MICRO SWITCH	1.0	EA
19		SET SCREW	2.0	EA

**BRAKE PEDAL ASSEMBLY**

Item	Part No.	Description	Qty	U/M
1		BUSH	2.0	EA
2		BRAKE PEDAL	1.0	EA
3		BRAKE SPRING	1.0	EA
4		WASHER	1.0	EA
5		SPLIT PIN	1.0	EA
6		PEDAL SHAFT	1.0	EA
7		NYLOC NUT	1.0	EA
8		WASHER	1.0	EA
9		SET SCREW	1.0	EA
10		NUT	1.0	EA
11		SET SCREW	1.0	EA
12		BRAKE LEVER MTG BRKT	1.0	EA
13		WASHER	5.0	EA
14		SPRING WASHER	5.0	EA
15		SET SCREW	5.0	EA
16		SPRING CLEVIS PIN	1.0	EA
17		FORK END	1.0	EA
18		LOCK NUT	1.0	EA
19		MASTER CYLINDER	1.0	EA
19A		SEAL KIT	1.0	EA

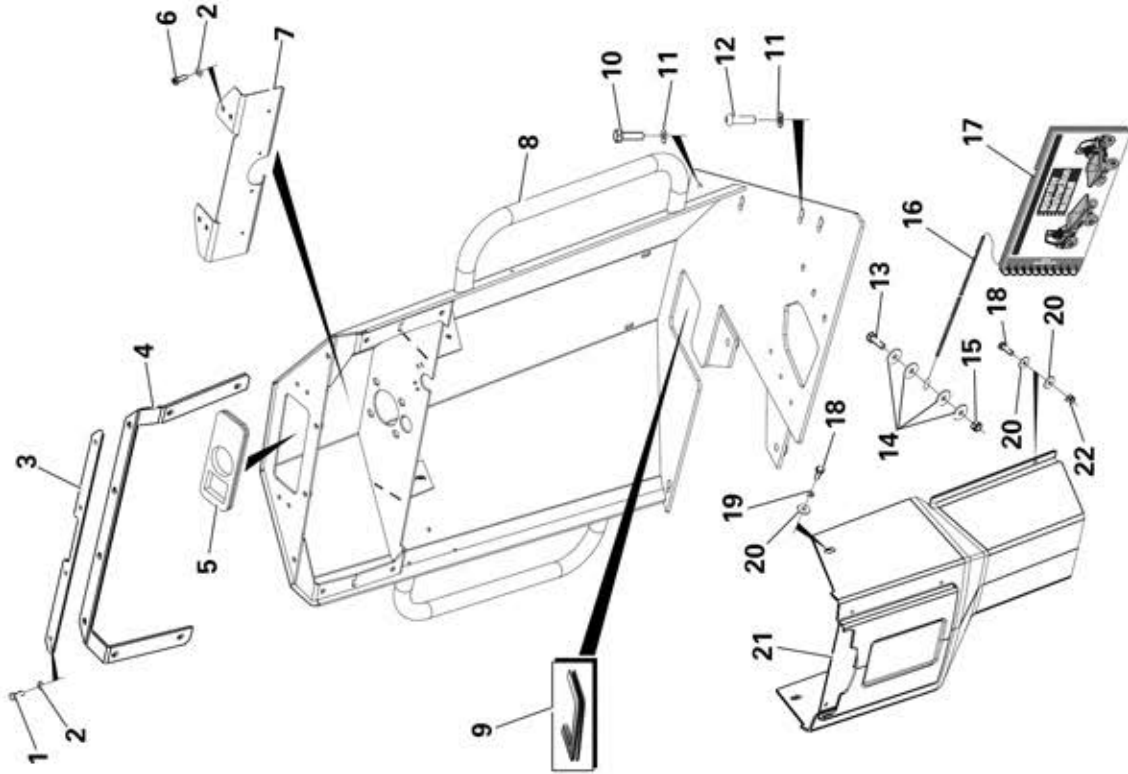






**BRAKE CIRCUIT**

Item	Part No.	Description	Qty	U/M
1	1	RESERVOIR CAP	1.0	EA
2	2	BRAKE M/CYL.RESERVOIR	1.0	EA
3	3	RESERVOIR 'P' CLIP	2.0	EA
4	4	HOSE CLIP	4.0	EA
5	5	BRAKE RESERVOIR COVER	1.0	EA
6	6	M/CYL-RES.HOSE	2.0	EA
7	7	BOLT	2.0	EA
8	8	WASHER	4.0	EA
9	9	PIPE CLAMP	2.0	EA
10	10	NYLOC NUT	2.0	EA
11	11	BRAKE PIPE	1.0	EA
12	12	BRAKE PIPE	1.0	EA
13	13	LOCK NUT	4.0	EA
14	14	BRAKE B/H UNION	2.0	EA
15	15	BRAKE PIPE	1.0	EA
16	16	BRAKE PIPE	1.0	EA
17	17	FLEXIBLE BRAKEHOSE	1.0	EA
18	18	DOUBLE ENDED UNION	1.0	EA
19	19	BRAKE PIPE (REAR)	1.0	EA
20	20	BRAKE PIPE (FRONT)	1.0	EA
21	21	BRAKE PIPE CROSSOVER	4.0	EA
22	22	BRAKE TEE	2.0	EA
23	23	NYLOC NUT	5.0	EA
24	24	WASHER	5.0	EA
25	25	P CLIP	5.0	EA
26	26	CHEESE HEAD SCREW	2.0	EA

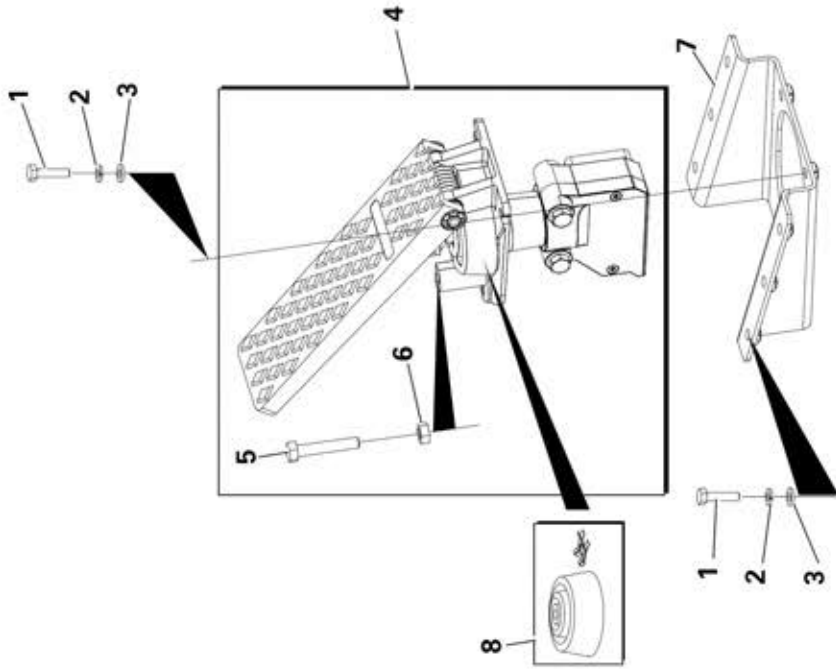


**LEG GUARD ASSEMBLY**

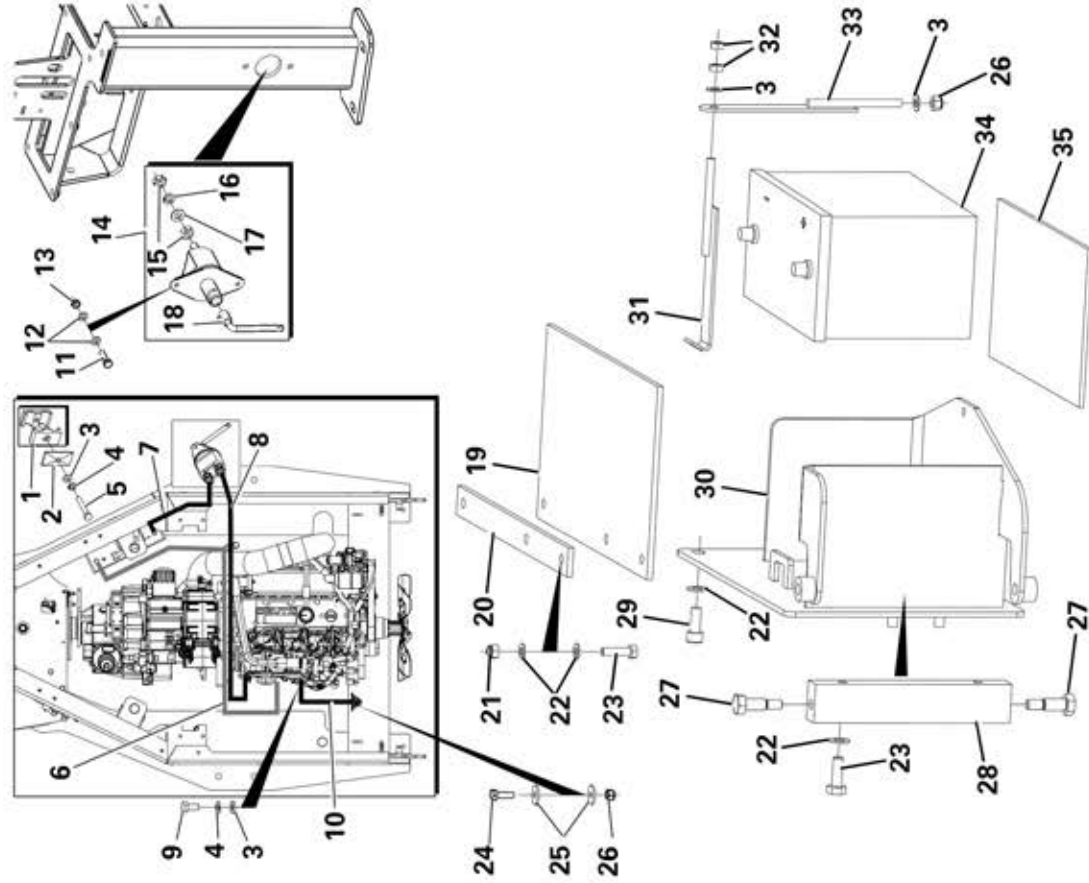
Item	Part No.	Description	Qty	U/M
1		DOME HEAD SCREW	4.0	EA
2		WASHER	8.0	EA
3		CLAMPING STRIP	1.0	EA
4		SEALING GASKET	1.0	EA
5		STEERING COLUMN GROMMET	1.0	EA
6		PAN HEAD SCREW	4.0	EA
7		SPLASH GUARD	1.0	EA
8		LEG GUARD ASSY	1.0	EA
9		E J TRIM	1.0	EA
10		SET SCREW	2.0	EA
11		HEAVY DUTY WASHER	6.0	EA
12		SOCKET DOME HEAD SCREW	4.0	EA
13		SET SCREW	1.0	EA
14		HEAVY DUTY WASHER	4.0	EA
15		NYLOC NUT	1.0	EA
16		RETAINING CABLE	1.0	EA
17		OPERATOR BOOK	1.0	EA
17A		SERVICE BOOK	1.0	EA
18		SET SCREW	4.0	EA
19		SPRING WASHER	2.0	EA
20		HEAVY DUTY WASHER	6.0	EA
21		INNER LEG GUARD	1.0	EA
22		NYLOC NUT	2.0	EA

**THROTTLE PEDAL ASSEMBLY**

Item	Part No.	Description	Qty	U/M
1		SET SCREW	9.0	EA
2		SPRING WASHER	9.0	EA
3		WASHER	9.0	EA
4		THROTTLE PEDAL-ELECTRONIC	1.0	EA
5		SET SCREW	1.0	EA
6		NUT	1.0	EA
7		THROTTLE PEDAL BRACKET	1.0	EA
8		SERVICE KIT	1.0	EA



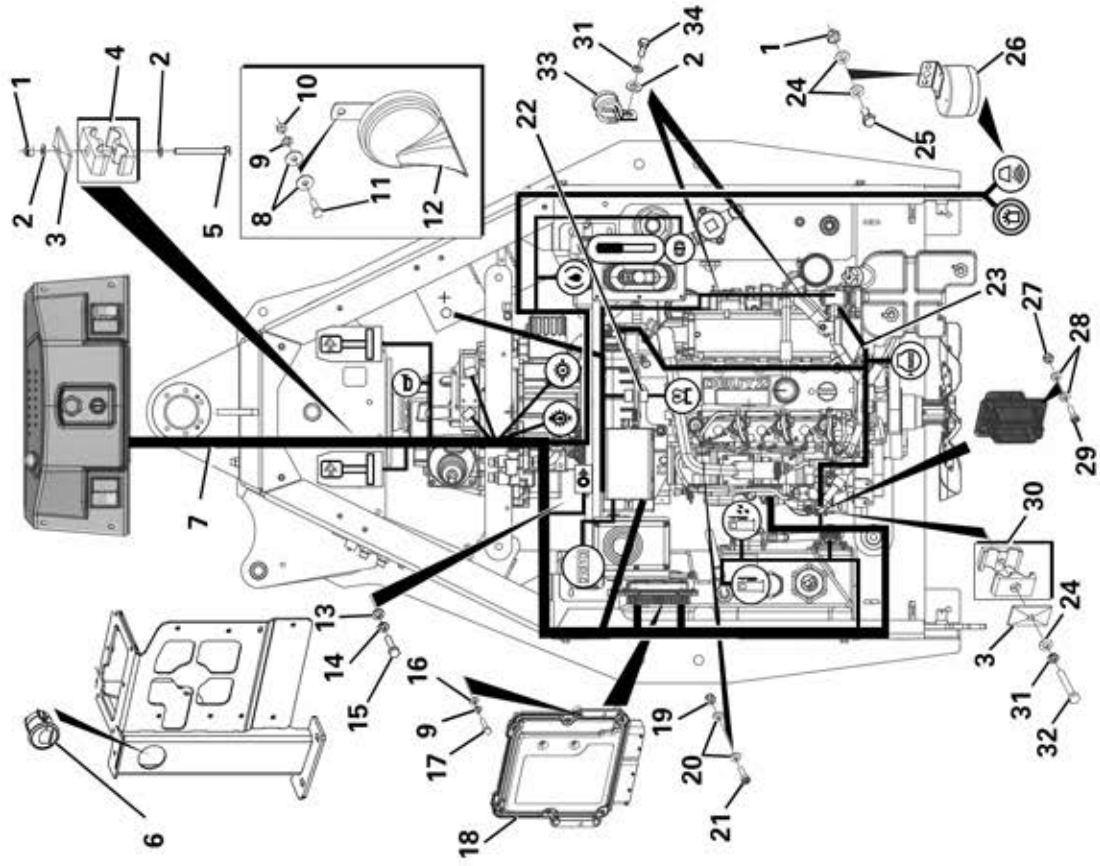
**BATTERY BOX ASSEMBLY**

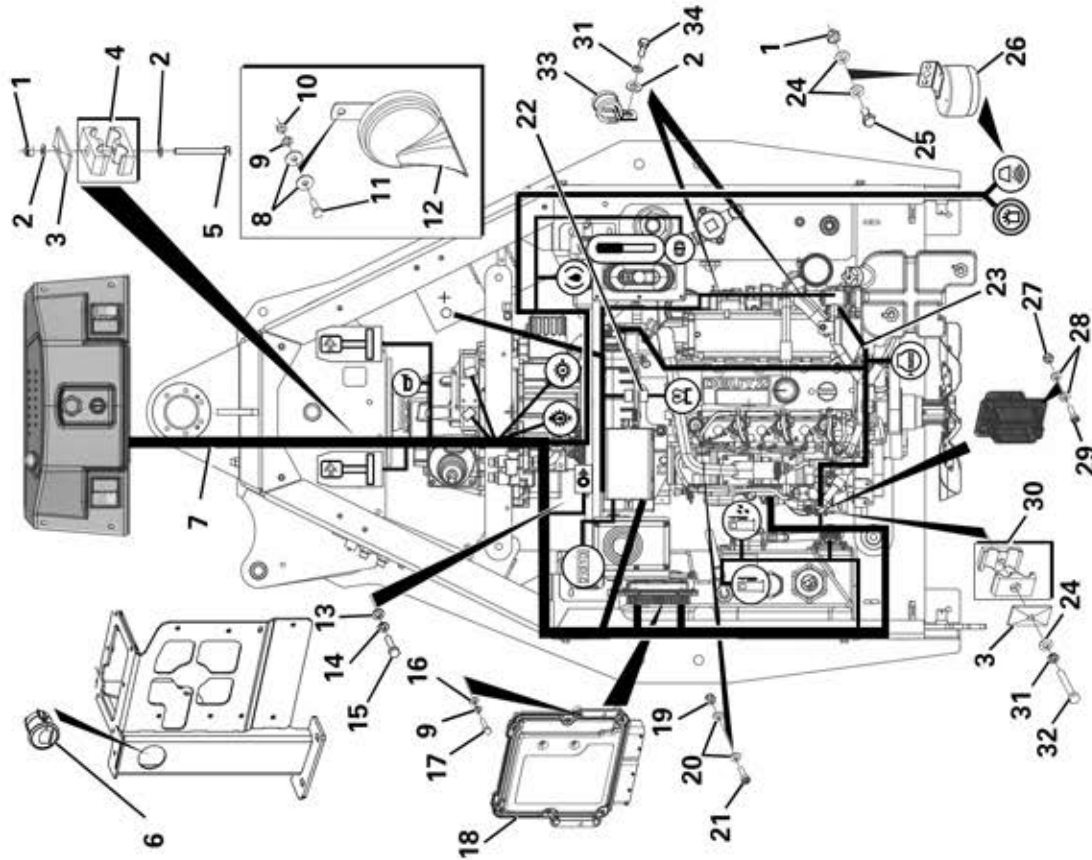


Item	Part No.	Description	Qty	U/M
1		PIPE CLAMP	1.0	EA
2		COVER PLATE	1.0	EA
3		WASHER	4.0	EA
4		SPRING WASHER	2.0	EA
5		BOLT	1.0	EA
6		BATTERY POSITIVE CABLE	1.0	EA
7		BATTERY NEGATIVE CABLE	1.0	EA
8		ISOLATOR CABLE	1.0	EA
9		SET SCREW	1.0	EA
10		CHASSIS EARTH CABLE	1.0	EA
11		SET SCREW	2.0	EA
12		WASHER	4.0	EA
13		NYLOC NUT	2.0	EA
14		BATTERY ISOLATOR SWITCH	1.0	EA
15		NUT	4.0	EA
16		SPRING WASHER	2.0	EA
17		WASHER	2.0	EA
18		KEY	1.0	EA
19		RUBBER BATTERY COVER	1.0	EA
20		BATTERY COVER RETAINER	1.0	EA
21		PHILIDAS NUT	2.0	EA
22		HEAVY DUTY WASHER	8.0	EA
23		SET SCREW	4.0	EA
24		SET SCREW	1.0	EA
25		HEAVY DUTY WASHER	2.0	EA
26		NYLOC NUT	2.0	EA
27		PIVOT PIN	2.0	EA
28		BATTERY BOX HINGE	1.0	EA
29		SOCKET HEAD CAP SCREW	2.0	EA
30		BATTERY BOX	1.0	EA
31		BATTERY STOP TOP	1.0	EA
32		NUT	2.0	EA
33		BATTERY CLAMP	1.0	EA
34		BATTERY (WITH HANDLES)	1.0	EA
35		BATTERY MAT	1.0	EA

**VEHICLE HARNESS**

Item	Part No.	Description	Qty	U/M
1		NYLOC NUT	2.0	EA
* 2		HEAVY DUTY WASHER	4.0	EA
3		COVER PLATE	2.0	EA
4		PIPE CLAMP	1.0	EA
5		BOLT	1.0	EA
6		HOURMETER - CAN READER	1.0	EA
7		VEHICLE HARNESS	1.0	EA
8		VEHICLE HARNESS - KOSRAN	1.0	EA
9		HEAVY DUTY WASHER	2.0	EA
10		SPRING WASHER	5.0	EA
11		NUT	1.0	EA
12		SET SCREW	1.0	EA
13		HORN WASHER	1.0	EA
14		SPRING WASHER	1.0	EA
15		SET SCREW	1.0	EA
16		WASHER	4.0	EA
17		SET SCREW	4.0	EA
18		ECU UNIT DOC	1.0	EA
19		NYLOC NUT	1.0	EA
20		WASHER	2.0	EA

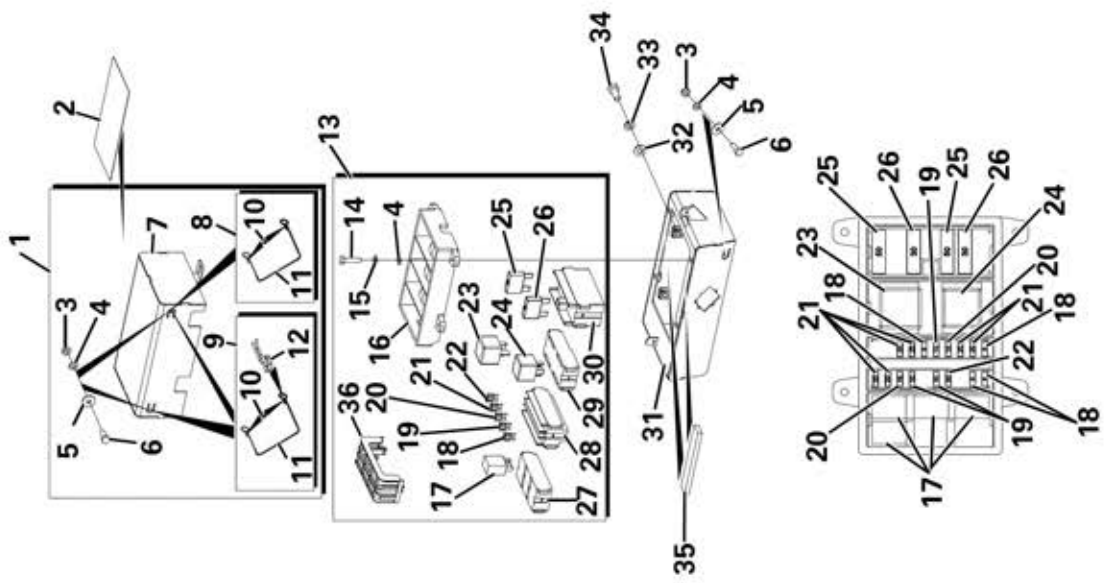




**VEHICLE HARNESS**

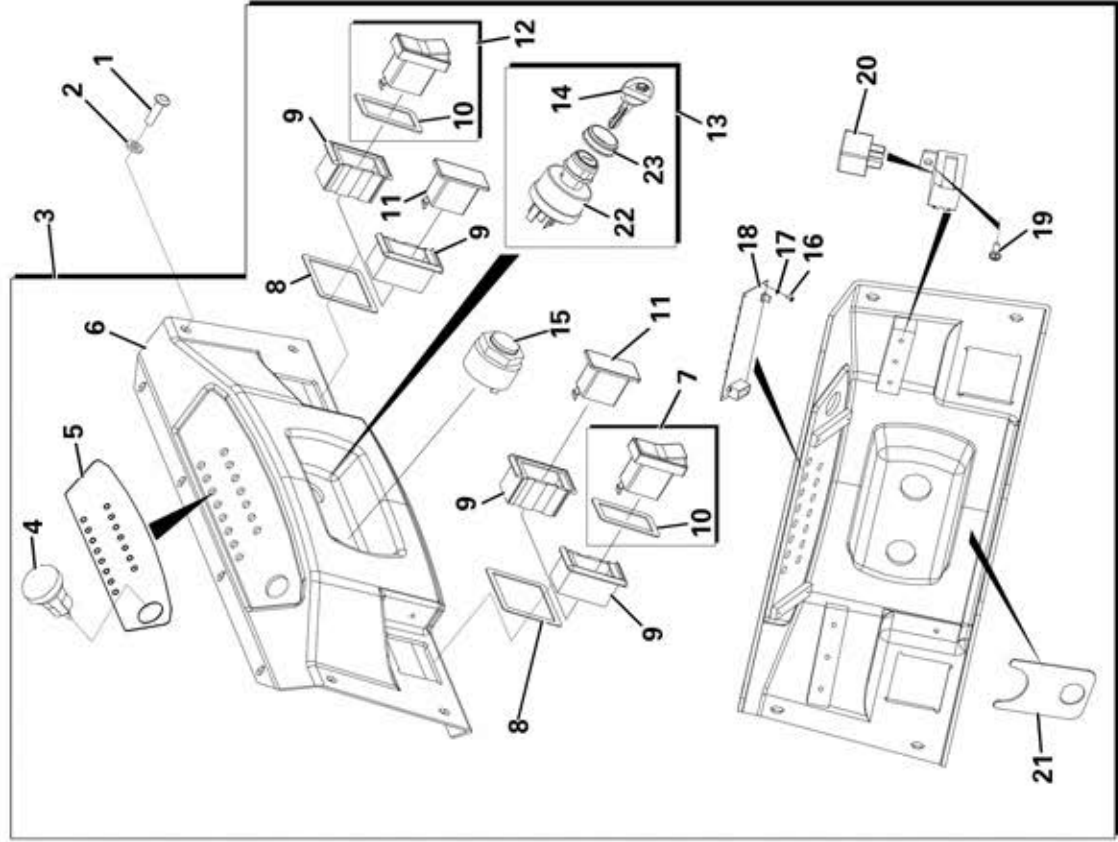
Item	Part No.	Description	Qty	U/M
21		SOCKET HEAD CAP SCREW	1.0	EA
22		GLOW PLUG CABLE	1.0	EA
23		ENGINE HARNESS	1.0	EA
24		WASHER	3.0	EA
25		SET SCREW	1.0	EA
26		REVERSE ALARM	1.0	EA
27		NYLOC NUT	4.0	EA
28		WASHER	4.0	EA
29		SOCKET HEAD CAP SCREW	4.0	EA
30		PIPE CLAMP	1.0	EA
* 31		SPRING WASHER	3.0	EA
32		BOLT	1.0	EA
+ 33		P CLIP	2.0	EA
+ 34		BOLT	2.0	EA

**FUSE BOX**



Item	Part No.	Description	Qty	U/M
1		FUSE BOX COVER ASSEMBLY	1.0	EA
2		DECAL FUSE LAYOUT	1.0	EA
3		NYLOC NUT	3.0	EA
4		WASHER	7.0	EA
5		HEAVY DUTY WASHER	3.0	EA
6		SET SCREW	3.0	EA
7		FUSE BOX COVER ASSEMBLY	1.0	EA
8		RETAINING CABLE ASSEMBLY	1.0	EA
9		R-CLIP CABLE ASSEMBLY	2.0	EA
10		COPPER SLEEVE	6.0	EA
11		PIN RETAINING CABLE	3.0	EA
12		DOUBLE COIL R-CLIP	2.0	EA
13		Part of ITEM 7 on VEHICLE HARNESS page		
14		SET SCREW	4.0	EA
15		SPRING WASHER	4.0	EA
16		FUSE BOX FRAME	1.0	EA
17		RELAY	4.0	EA
18		FUSE 5AMP	4.0	EA
19		FUSE 10AMP	3.0	EA
20		FUSE 15AMP	2.0	EA
21		FUSE 20AMP	6.0	EA
22		FUSE 30AMP	1.0	EA
23		POWER RELAY	1.0	EA
24		RELAY	1.0	EA
25		MAXI FUSE 50A	2.0	EA
26		MAXI FUSE 30A	2.0	EA
27		RELAY MODUALE	1.0	EA
28		MINI FUSE MODULE	1.0	EA
29		POWER RELAY MODULE	1.0	EA
30		MAXI FUSE MODULE	1.0	EA
31		FUSE BOX MOUNT	1.0	EA
32		WASHER	2.0	EA
33		SPRING WASHER	2.0	EA
34		SET SCREW	2.0	EA
35		FOAM STRIP	1.0	EA
36		RETAINING CLIP	1.0	EA

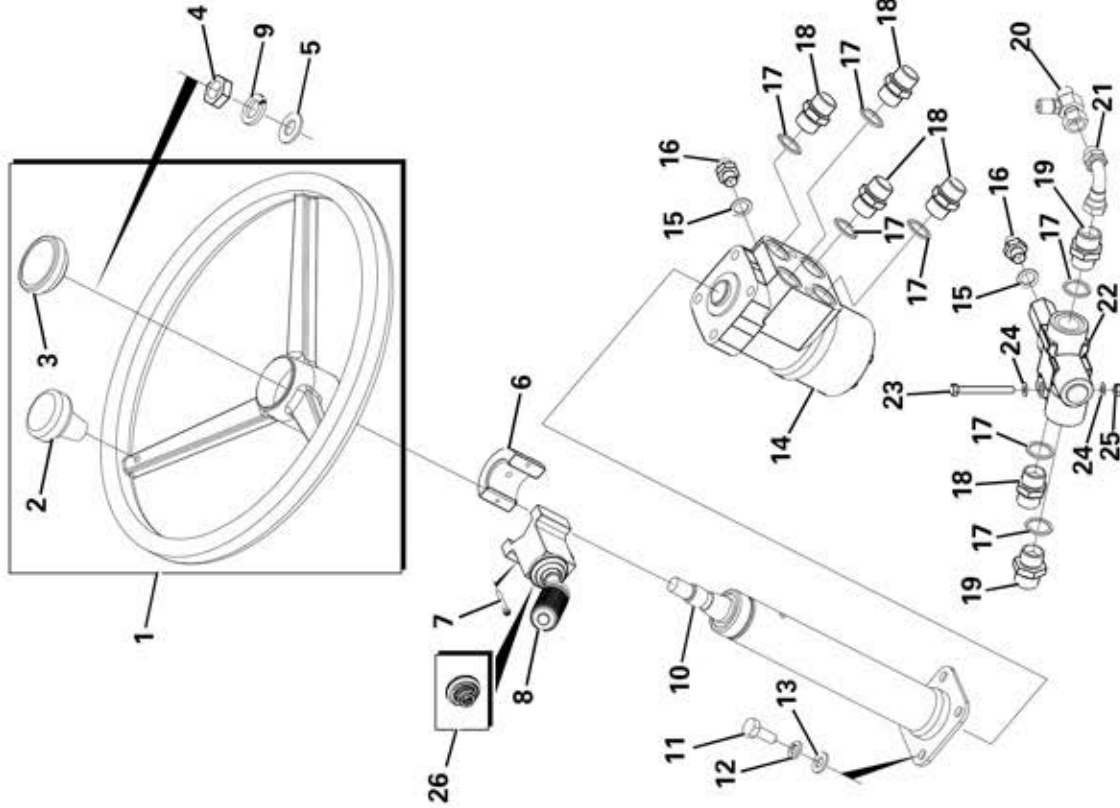
**DASH PANEL ASSEMBLY**



Item	Part No.	Description	Qty	U/M
1		DOME HEAD SCREW	4.0	EA
2		WASHER	4.0	EA
* 3		DASHBOARD ASSY	1.0	EA
4		HORN PUSH	1.0	EA
5		CONSOLE DECAL	1.0	EA
6		DASH PANEL	1.0	EA
7		BRAKE TEST SWITCH	1.0	EA
8		MOUNTING PANEL GASKET	2.0	EA
9		SWITCH MOUNTING PANEL	4.0	EA
10		SWITCH BLANK SEAL	2.0	EA
11		SWITCH BLANK	2.0	EA
12		SWITCH HAZARD	1.0	EA
* 13		IGNITION SWITCH	1.0	EA
* 14		STARTER SWITCH KEY	1.0	EA
15		BUZZER	1.0	EA
16		SCREW	1.0	EA
17		NYLON WASHER	4.0	EA
18		LED MODULE	4.0	EA
19		SCREW	1.0	EA
20		FLASHER UNIT	1.0	EA
* 21		IGNITION SWITCH BACKING PLATE	1.0	EA
* 22		KEY CYLINDER (IGNITION)	1.0	EA
* 23		KEY CYLINDER NUT (IGNITION)	1.0	EA

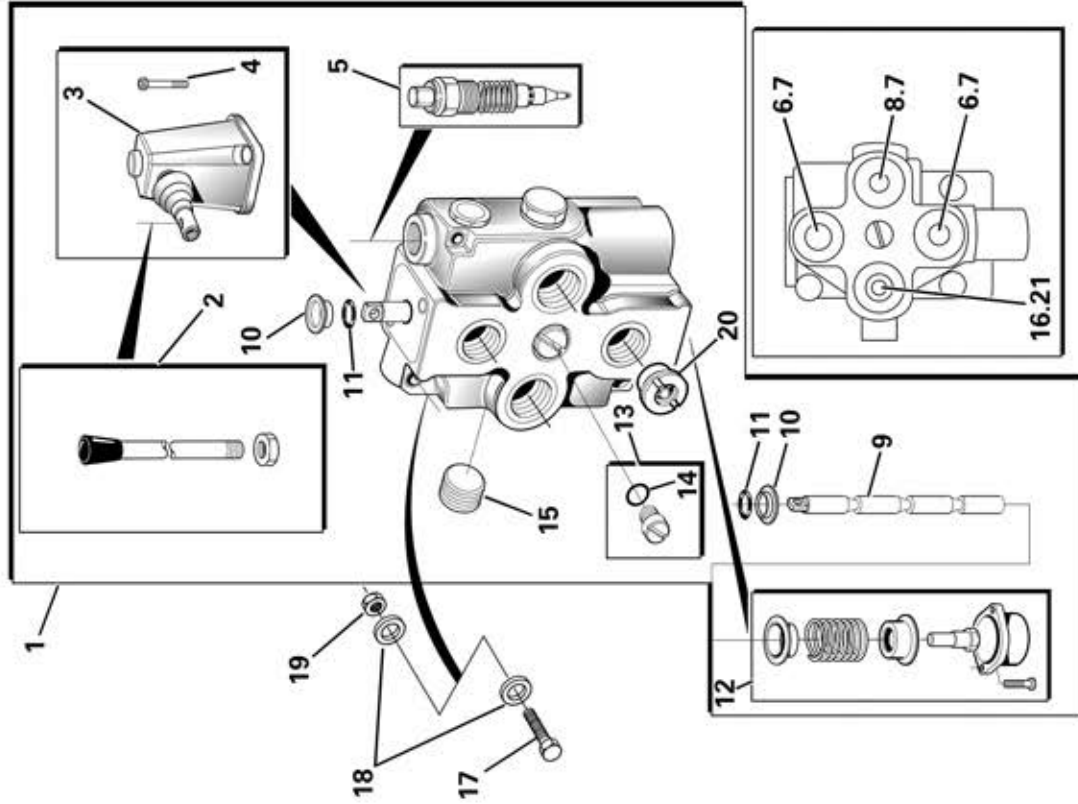


**STEERING ASSEMBLY**



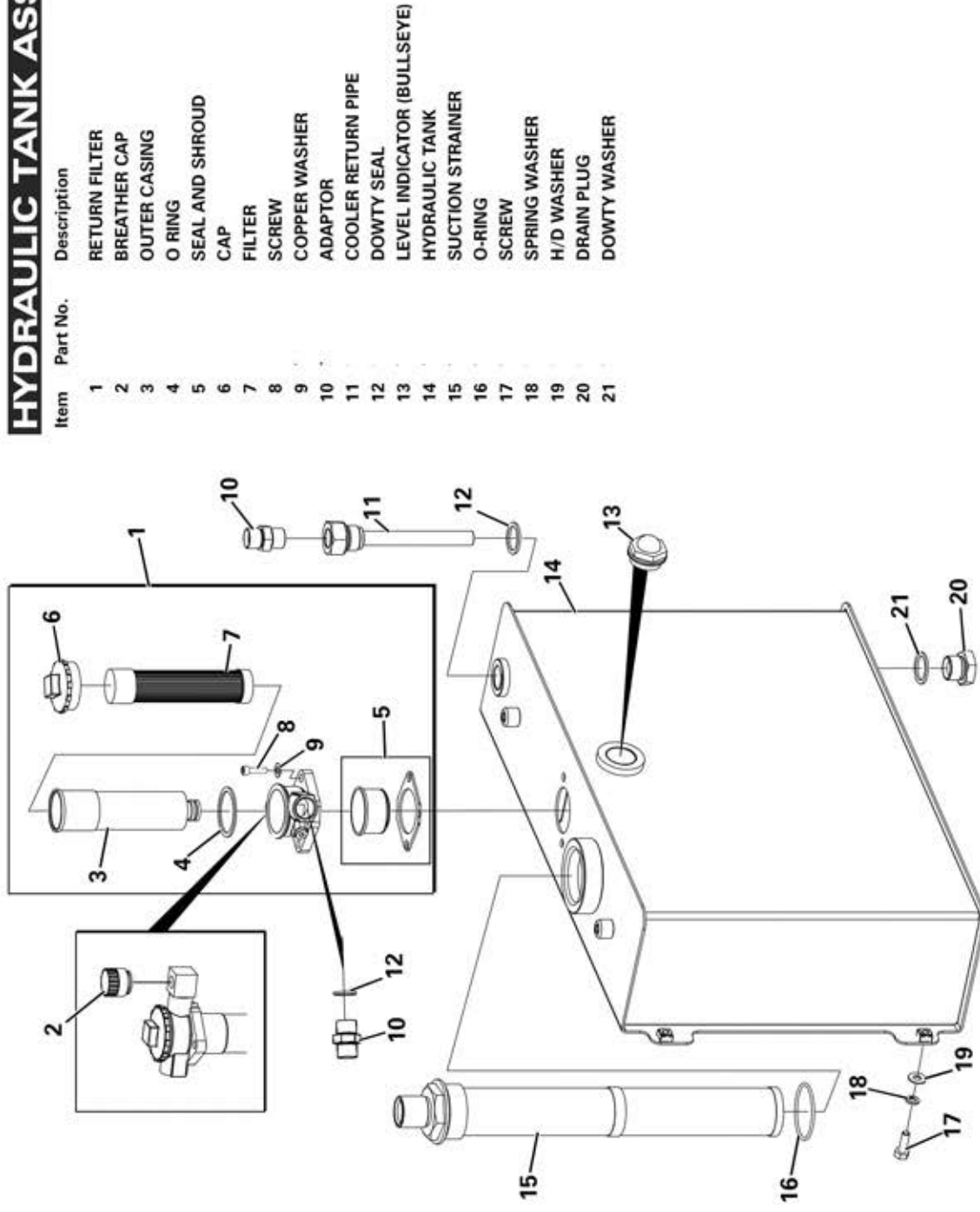
Item	Part No.	Description	Qty	U/M
1		STEERING WHEEL & CAP	1.0	EA
2		SPINNER KNOB	1.0	EA
3		CENTRE CAP	1.0	EA
4		NUT	1.0	EA
5		WASHER	1.0	EA
6		COLUMN SWITCH CLAMP	1.0	EA
7		SOCKET HEAD CAP SCREW	2.0	EA
8		COLUMN SWITCH	1.0	EA
9		SPRING WASHER	1.0	EA
10		STEERING COLUMN	1.0	EA
11		SET SCREW	4.0	EA
12		SPRING WASHER	4.0	EA
13		WASHER	4.0	EA
14		STEERING ORBITROL	1.0	EA
15		SEAL KIT	1.0	EA
16		DOWTY WASHER	2.0	EA
17		ADAPTOR	2.0	EA
18		DOWTY WASHER	7.0	EA
19		ADAPTOR	5.0	EA
20		ADAPTOR	1.0	EA
21		HYDRAULIC TEST POINT	1.0	EA
22		ADAPTOR	1.0	EA
23	*	LOAD SENSING VALVE	1.0	EA
24		BOLT	1.0	EA
25		WASHER	2.0	EA
26		PHILIDAS NUT	1.0	EA
		GAITER	1.0	EA

**TIPPING VALVE ASSEMBLY**



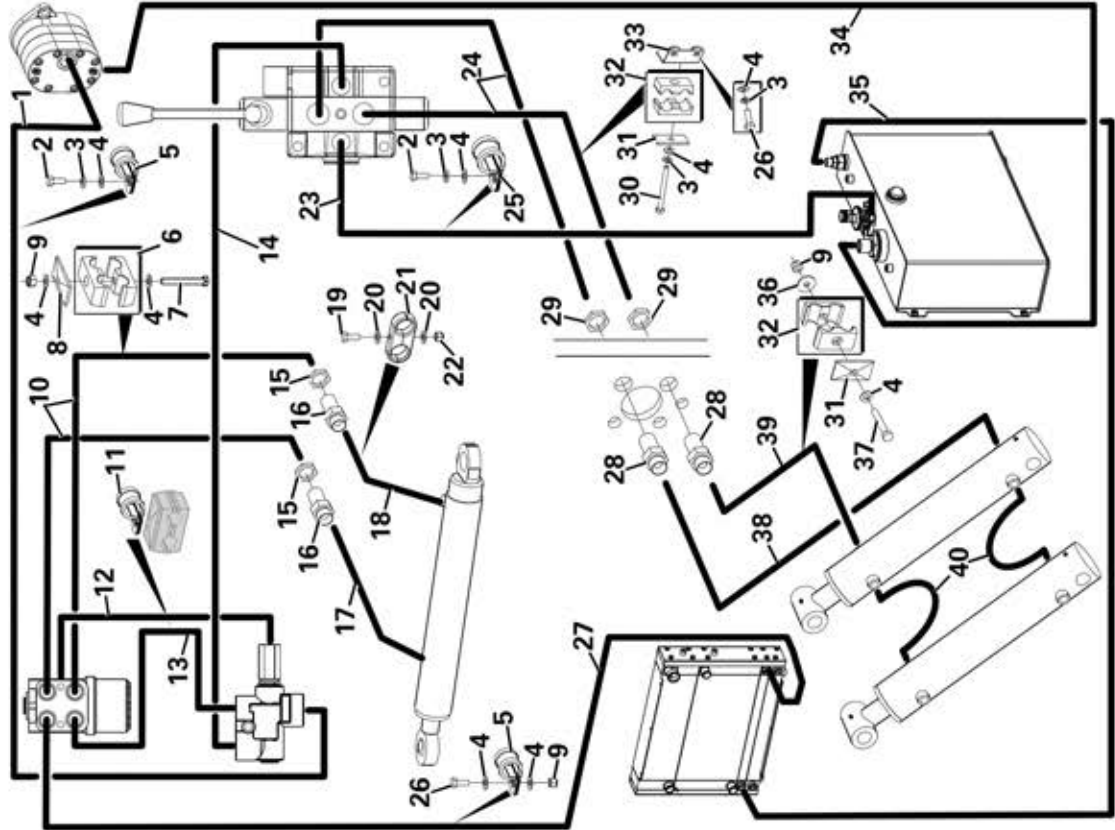
Item	Part No.	Description	Qty	U/M
1		TIPPING VALVE ASSY	1.0	EA
2		LEVER ASSEMBLY	1.0	EA
3		LEVER BASE	1.0	EA
4		SOCKET SCREW	2.0	EA
5		VALVE	1.0	EA
6		ADAPTOR	2.0	EA
7		HYDRAULIC SEAL	3.0	EA
8		ADAPTOR	1.0	EA
9		SPOOL	1.0	EA
10		FLANGED WASHER	2.0	EA
11		SEAL	2.0	EA
12		CAP ASSEMBLY	1.0	EA
13		CHECK VALVE ASSEMBLY	1.0	EA
14		SEAL	1.0	EA
15		PLUG	1.0	EA
16		ADAPTOR	1.0	EA
17		BOLT	3.0	EA
18		PLAIN WASHER	6.0	EA
19		NUT	3.0	EA
20		RESTRICTOR	1.0	EA
21		HYDRAULIC SEAL	1.0	EA

**HYDRAULIC TANK ASSEMBLY**



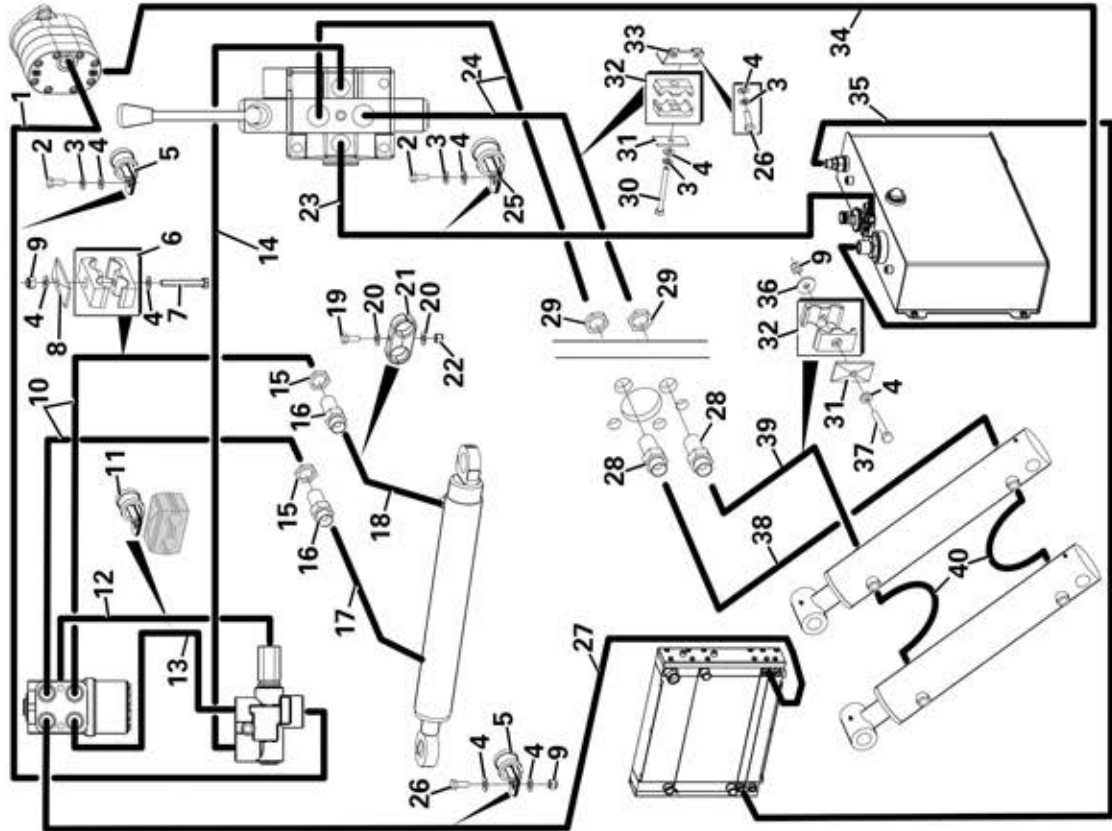
Item	Part No.	Description	Qty	U/M
1		RETURN FILTER	1.0	EA
2		BREATHER CAP	1.0	EA
3		OUTER CASING	1.0	EA
4		O RING	1.0	EA
5		SEAL AND SHROUD	1.0	EA
6		CAP	1.0	EA
7		FILTER	1.0	EA
8		SCREW	2.0	EA
9		COPPER WASHER	2.0	EA
10		ADAPTOR	2.0	EA
11		COOLER RETURN PIPE	1.0	EA
12		DOWTY SEAL	2.0	EA
13		LEVEL INDICATOR (BULLSEYE)	1.0	EA
14		HYDRAULIC TANK	1.0	EA
15		SUCTION STRAINER	1.0	EA
16		O-RING	1.0	EA
17		SCREW	1.0	EA
18		SPRING WASHER	4.0	EA
19		H/D WASHER	4.0	EA
20		DRAIN PLUG	4.0	EA
21		DOWTY WASHER	1.0	EA

**HYDRAULIC CIRCUIT**



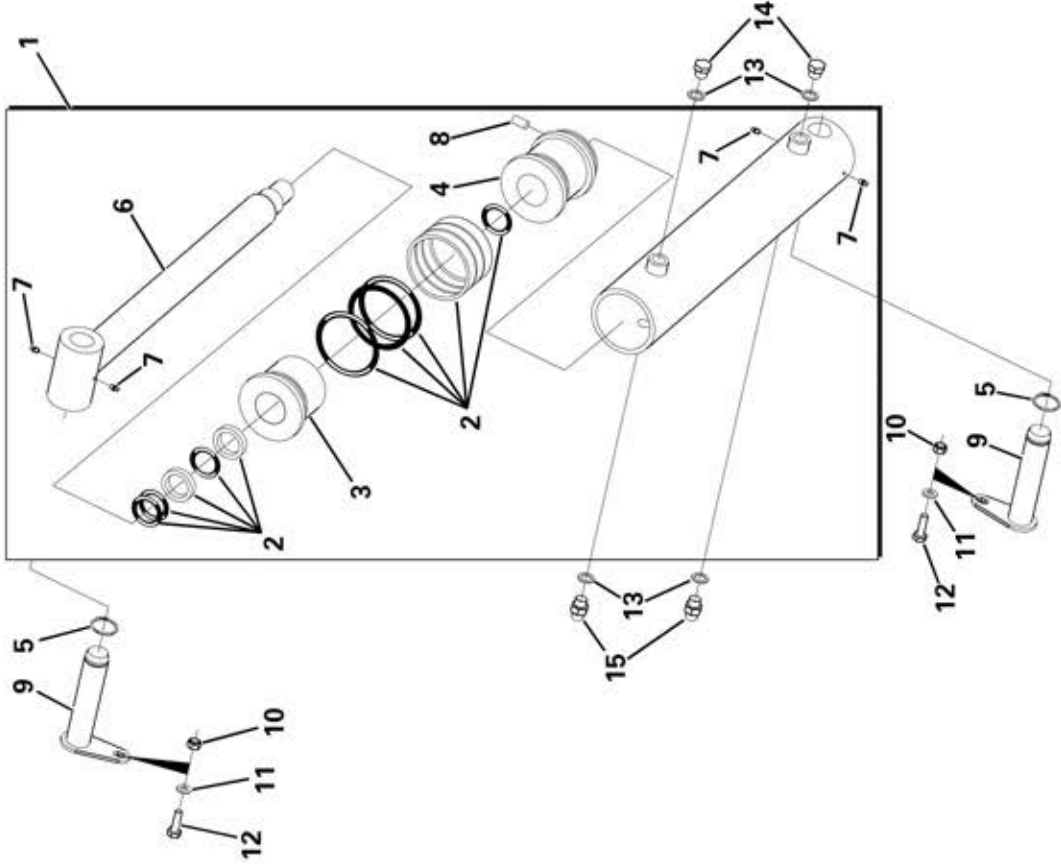
Item	Part No.	Description	Qty	U/M
1		HYD HOSE	1.0	EA
2		BOLT	2.0	EA
3		SPRING WASHER	5.0	EA
4		WASHER	10.0	EA
5		P CLIP	2.0	EA
6		PIPE CLAMP	1.0	EA
7		BOLT	1.0	EA
8		CLAMP COVER PLATE	1.0	EA
9		NYLOC NUT	1.0	EA
10		HYD HOSE	3.0	EA
11		P CLIP	2.0	EA
12		HYD HOSE	1.0	EA
13		HYD HOSE	1.0	EA
14		HYD HOSE	1.0	EA
15		LOCKNUT	2.0	EA
16		ADAPTOR	2.0	EA
17		HOSE	1.0	EA
18		HOSE	1.0	EA
19		BOLT	1.0	EA
20		WASHER	2.0	EA

**HYDRAULIC CIRCUIT**



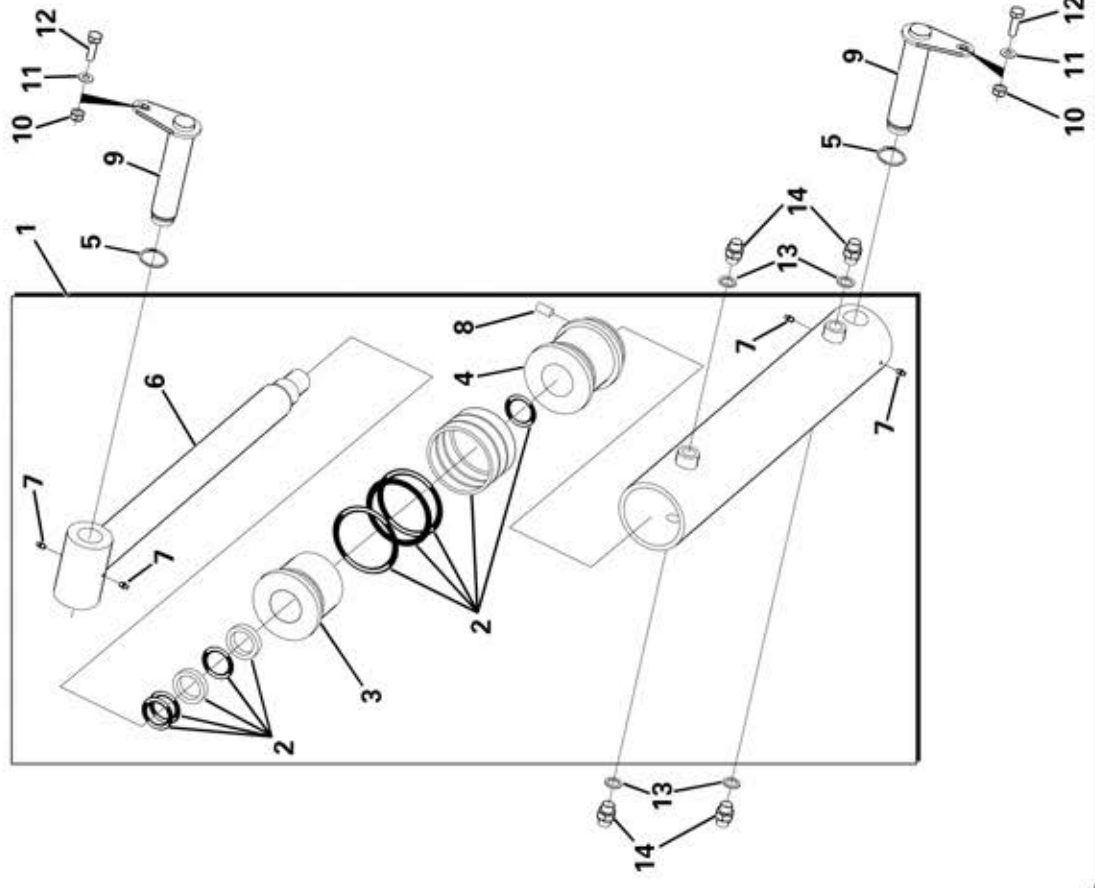
Item	Part No.	Description	Qty	U/M
21		PIPE CLAMP	1.0	EA
22		NUT	1.0	EA
23		HOSE	1.0	EA
24		HOSE	2.0	EA
25		P CLIP	1.0	EA
26		BOLT	2.0	EA
27		HYD HOSE	1.0	EA
28		ADAPTOR	2.0	EA
29		LOCKNUT	2.0	EA
30		BOLT	1.0	EA
31		CLAMP COVER PLATE	1.0	EA
32		CLAMP	1.0	EA
33		PIPE SUPPORT BRACKET	1.0	EA
34		SUCTION HOSE	1.0	EA
35		HOSE	1.0	EA
36		HEAVY DUTY WASHER	1.0	EA
37		BOLT	1.0	EA
38		HOSE	1.0	EA
39		HOSE	1.0	EA
40		HOSE	2.0	EA

**TIPPING RAM ASSEMBLY - LH**



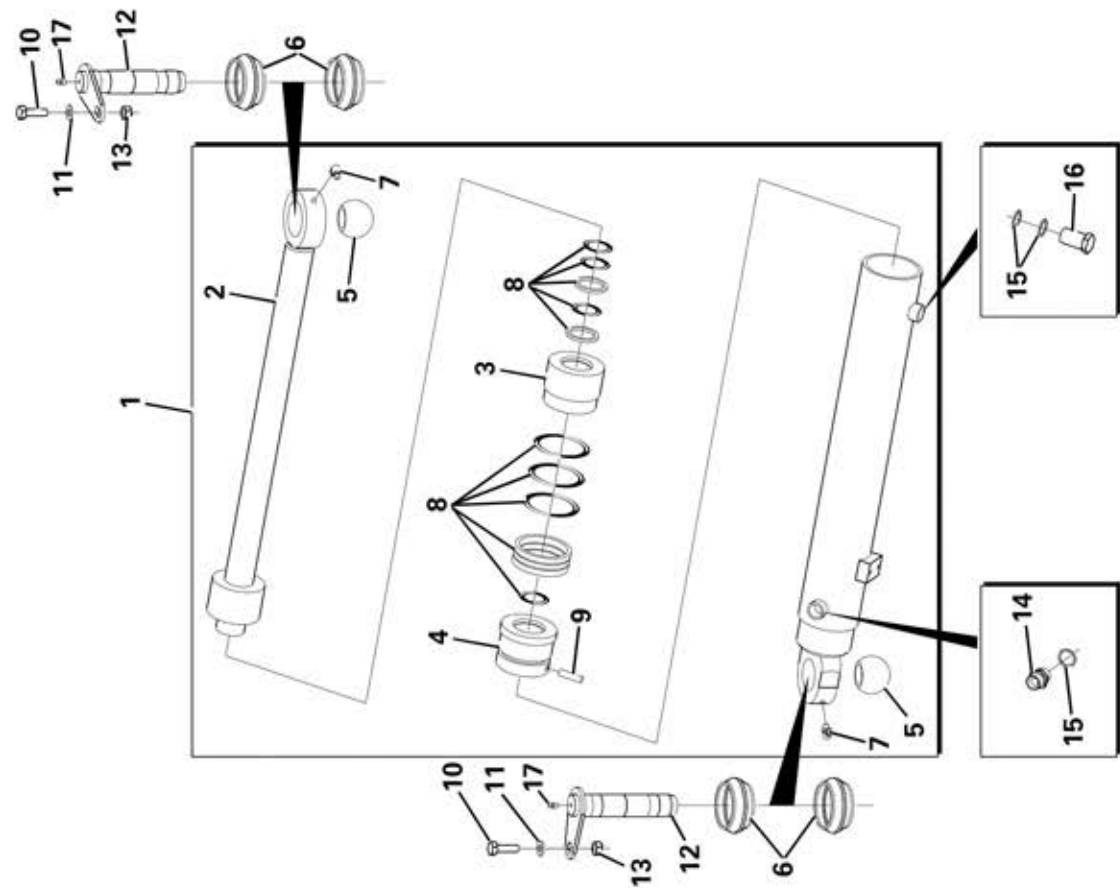
Item	Part No.	Description	Qty	U/M
1		TIPPING RAM	1.0	EA
2		SEAL KIT	1.0	EA
3		GLAND	1.0	EA
4		PISTON HEAD	1.0	EA
5		CIRCLIP	2.0	EA
6		ROD ASSEMBLY	1.0	EA
7		GREASE NIPPLE	4.0	EA
8		SET SCREW	1.0	EA
9		PIVOT PIN	2.0	EA
10		PHILIDAS NUT	2.0	EA
11		HEAVY DUTY WASHER	2.0	EA
12		SET SCREW	2.0	EA
13		DOWTY WASHER	2.0	EA
14		BLANKING PLUG	4.0	EA
15		ADAPTOR	2.0	EA

**TIPPING RAM ASSEMBLY - RH**



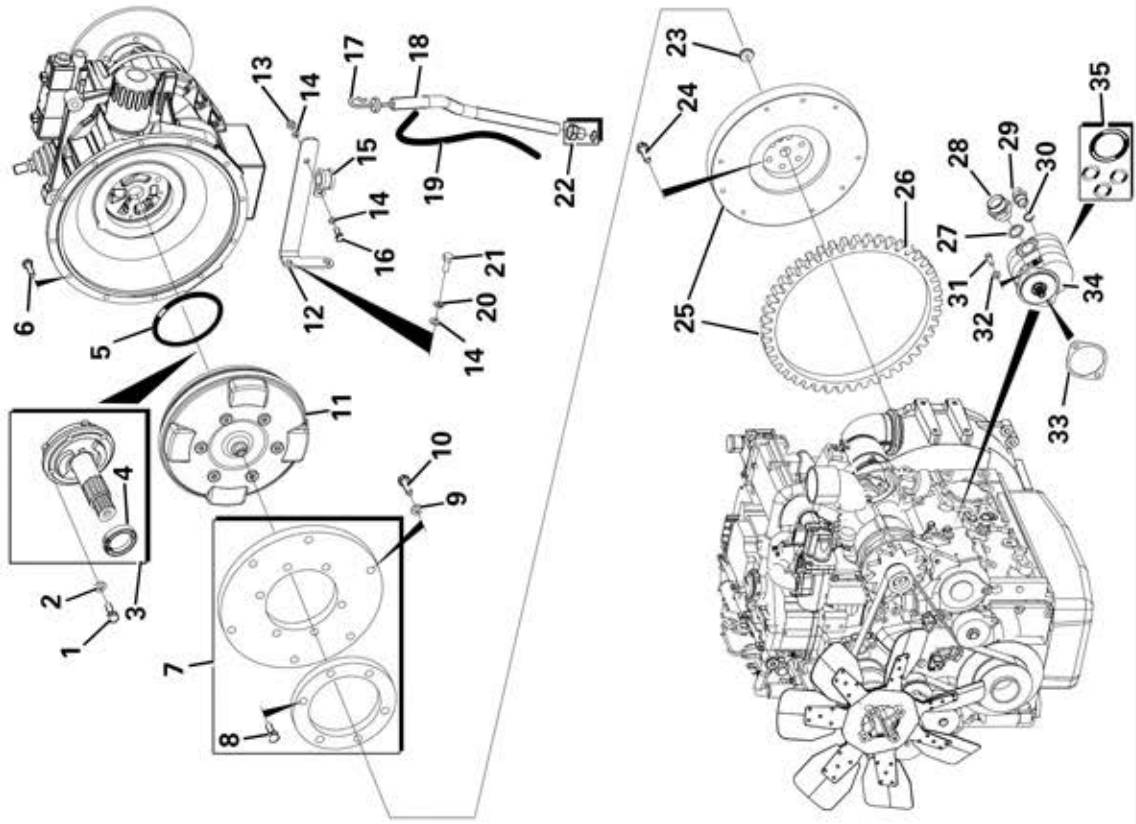
Item	Part No.	Description	Qty	U/M
1		TIPPING RAM	1.0	EA
2		SEAL KIT	1.0	EA
3		GLAND	1.0	EA
4		PISTON HEAD	1.0	EA
5		CIRCLIP	2.0	EA
6		ROD ASSEMBLY	1.0	EA
7		GREASE NIPPLE	4.0	EA
8		SET SCREW	1.0	EA
9		PIVOT PIN	2.0	EA
10		PHILIDAS NUT	2.0	EA
11		HEAVY DUTY WASHER	2.0	EA
12		SET SCREW	2.0	EA
13		DOWTY WASHER	4.0	EA
14		ADAPTOR	4.0	EA

**STEERING RAM ASSEMBLY**



Item	Part No.	Description	Qty	U/M
1		STEERING RAM	1.0	EA
2		ROD ASSY	1.0	EA
3		GLAND	1.0	EA
4		PISTON HEAD	1.0	EA
5		SPHERICAL BEARING	2.0	EA
6		RAM DUST SEAL	4.0	EA
7		GREASE NIPPLE	2.0	EA
8		SEAL KIT	1.0	EA
9		SET SCREW	1.0	EA
10		SET SCREW	2.0	EA
11		HEAVY DUTY WASHER	2.0	EA
12		PIVOT PIN	2.0	EA
13		PHILIDAS NUT	2.0	EA
14		ADAPTOR	1.0	EA
15		DOWTY WASHER	3.0	EA
16		BANJO BOLT	1.0	EA
17		GREASE NIPPLE	2.0	EA

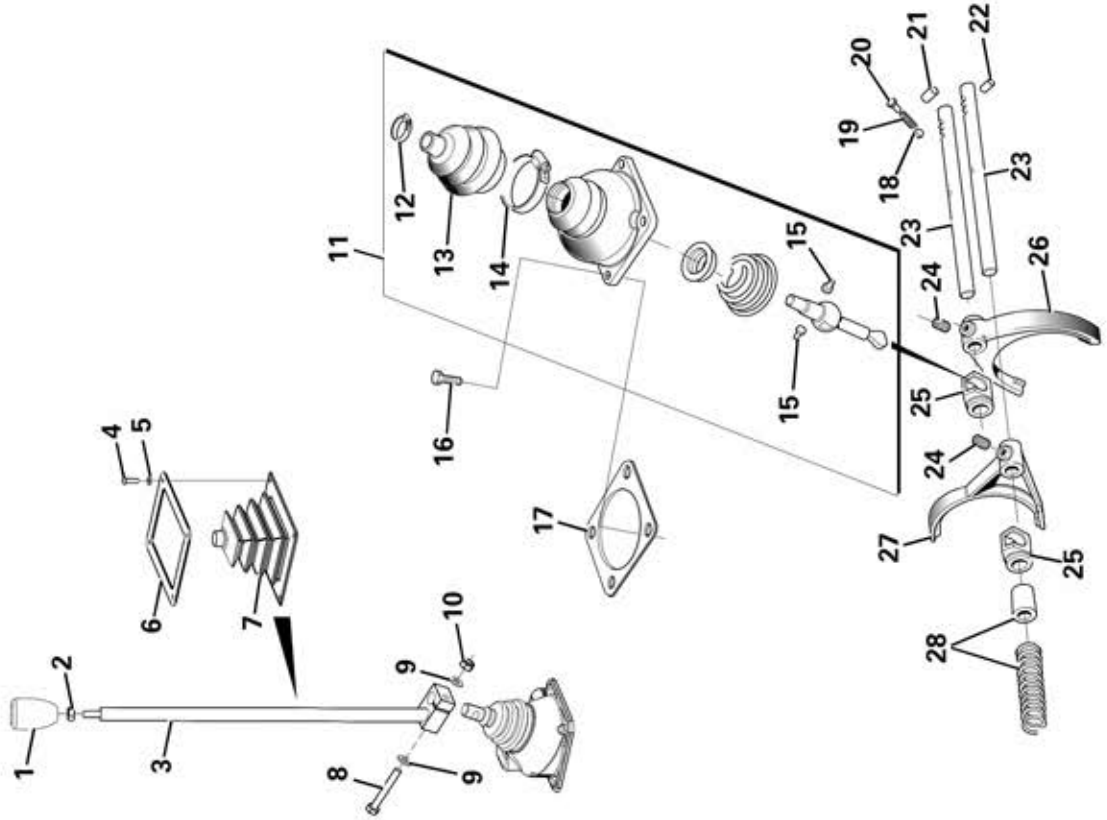




**TRANSMISSION DRIVE & HYD PUMP**

Item	Part No.	Description	Qty	U/M
1		BOLT	4.0	EA
2		SEALING WASHER	4.0	EA
3		OIL PUMP	1.0	EA
4		OIL SEAL	1.0	EA
5		RING-SEAL	1.0	EA
6		SET SCREW	12.0	EA
7		DRIVE PLATE KIT	1.0	EA
8		SET SCREW	6.0	EA
9		WASHER	6.0	EA
10		BOLT	6.0	EA
11		TORQUE CONVERTER	1.0	EA
12		DIPSTICK BRACKET	1.0	EA
13		NUT	1.0	EA
14		WASHER	4.0	EA
15		P CLIP	1.0	EA
16		SET SCREW	2.0	EA
17		GEARBOX DIPSTICK	1.0	EA
18		GEARBOX FILLER TUBE	1.0	EA
19		BREATHER TUBE	1.0	EA
20		SPRING WASHER	2.0	EA
21		SET SCREW	2.0	EA
22		NUT C/W SEAL	1.0	EA
23		FLYWHEEL HUB	1.0	EA
24		BOLT	8.0	EA
25		FLYWHEEL ASSEMBLY	1.0	EA
26		STARTER RING	1.0	EA
27		DOWTY WASHER	1.0	EA
28		ADAPTOR	1.0	EA
29		ADAPTOR	1.0	EA
30		DOWTY WASHER	1.0	EA
31		SOCKET HEAD CAP SCREW	2.0	EA
32		SCHNORR WASHER	2.0	EA
33		GASKET HYDRAULIC PUMP	1.0	EA
34		GEAR PUMP	1.0	EA
35		SEAL KIT	1.0	EA

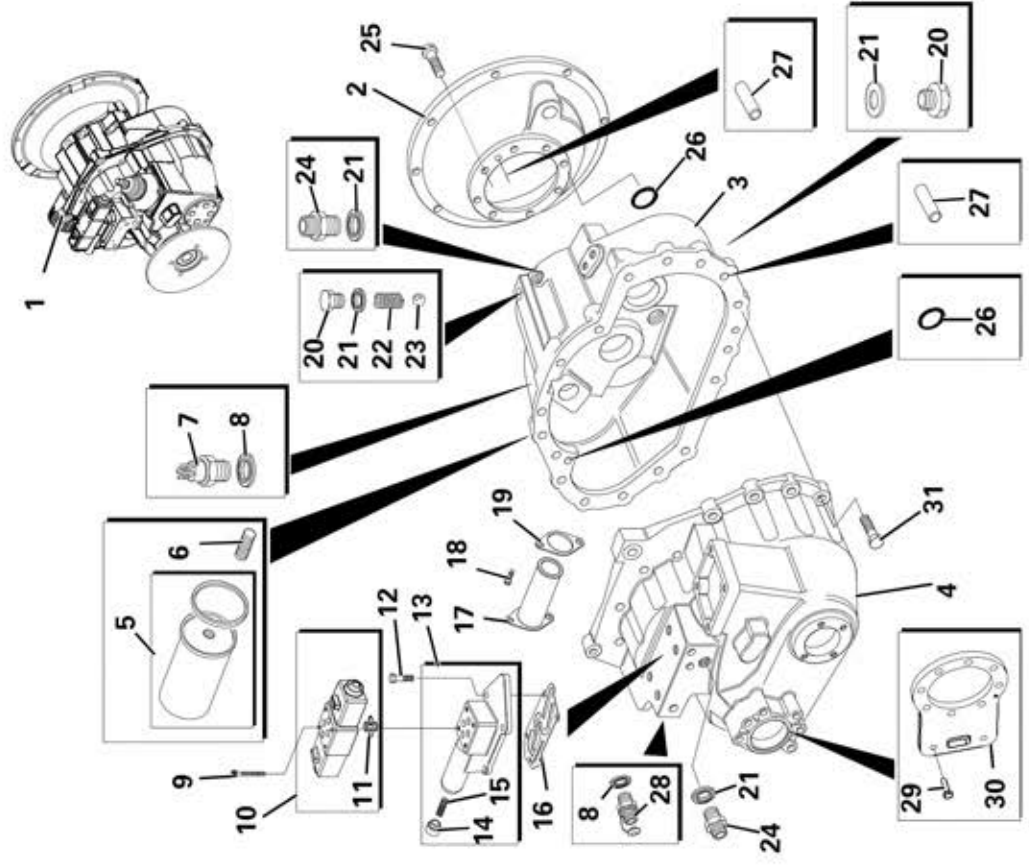
**TRANSMISSION - GEAR CHANGE**



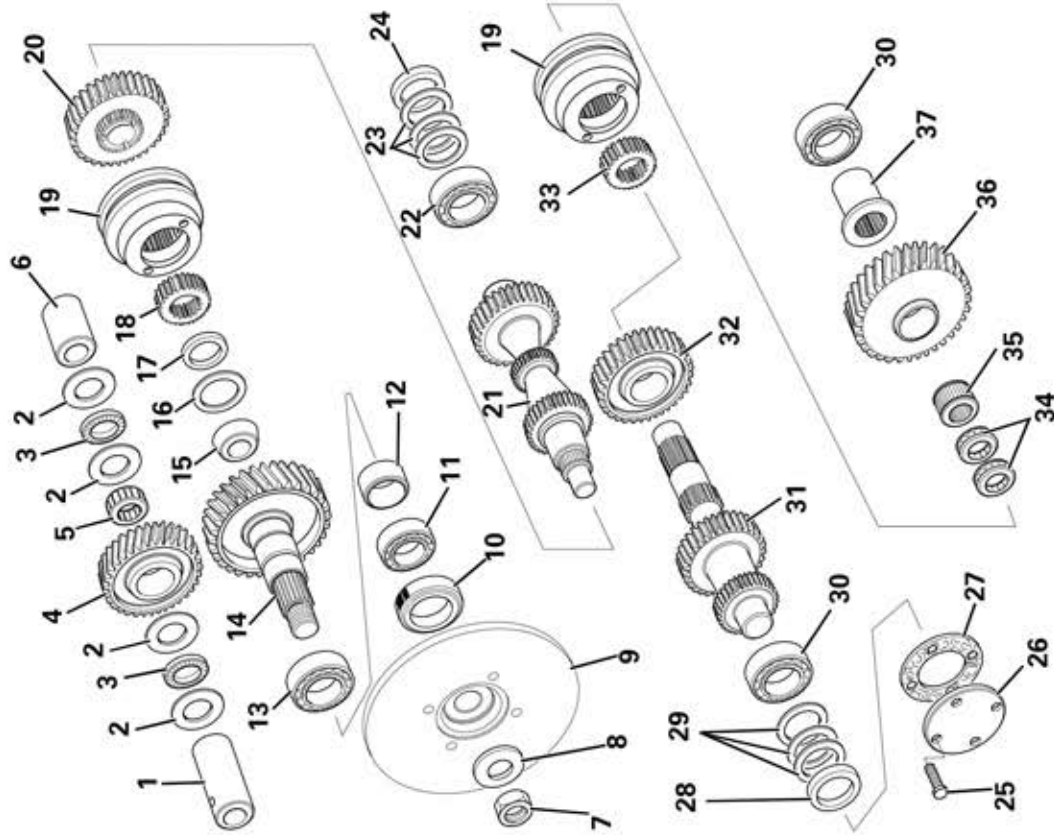
Item	Part No.	Description	Qty	U/M
1		BLACK MOULDED KNOB	1.0	EA
2		NUT	1.0	EA
3		GEAR CHANGE LEVER	1.0	EA
4		PHILIPS PAN HEAD SCREW	4.0	EA
5		HD WASHER	4.0	EA
6		LEVER GAITER RETAINING PLATE	1.0	EA
7		GEAR LEVER GAITER	1.0	EA
8		BOLT	1.0	EA
9		WASHER	2.0	EA
10		STOVER NUT	1.0	EA
11		GEAR LEVER ASSEMBLY	1.0	EA
12		CLIP	1.0	EA
13		GAITER	1.0	EA
14		CLIP	1.0	EA
15		GEAR LEVER RETAINING PIN	2.0	EA
16		BOLT	4.0	EA
17		GASKET	1.0	EA
18		BALL	2.0	EA
19		DETENT SPRING	2.0	EA
20		DETENT PLUG	2.0	EA
21		ROLLER	2.0	EA
22		PLUG	1.0	EA
23		SELECTOR SHAFT	1.0	EA
24		SCREW	2.0	EA
25		SELECTOR BLOCK	4.0	EA
26		SELECTOR FORK	2.0	EA
27		SELECTOR FORK	1.0	EA
28		SPRING	1.0	EA

**TRANSMISSION - EXTERNAL**

Item	Part No.	Description	Qty	U/M
1		GEARBOX	1.0	EA
2		FLYWHEEL HOUSING	1.0	EA
3		FRONT CASING	1.0	EA
4		CASE	1.0	EA
5		TRANSMISSION OIL FILTER	1.0	EA
6		FILTER ADAPTOR	1.0	EA
7		OIL PRESSURE SWITCH	1.0	EA
8		SEAL	2.0	EA
9		CAP SCREW	4.0	EA
10		SOLENOID VALVE	1.0	EA
11		SEAL KIT	1.0	EA
12		BOLT	4.0	EA
13		ADAPTOR BLOCK ASSEMBLY	1.0	EA
14		PLUG	1.0	EA
15		SPRING	1.0	EA
16		GASKET	1.0	EA
17		SUCTION STRAINER	1.0	EA
18		BOLT	2.0	EA
19		GASKET	1.0	EA
20		PLUG	3.0	EA
21		SEAL	5.0	EA
22		SPRING	1.0	EA
23		BALL	2.0	EA
24		ADAPTOR SCREW	2.0	EA
25		'O' RING	12.0	EA
26		DOWEL	2.0	EA
27		PRESSURE POINT BOLT	4.0	EA
28		PRESSURE POINT BOLT	1.0	EA
29		CALIPER MTG PLATE	7.0	EA
30		SET SCREW	1.0	EA
31		SET SCREW	18.0	EA

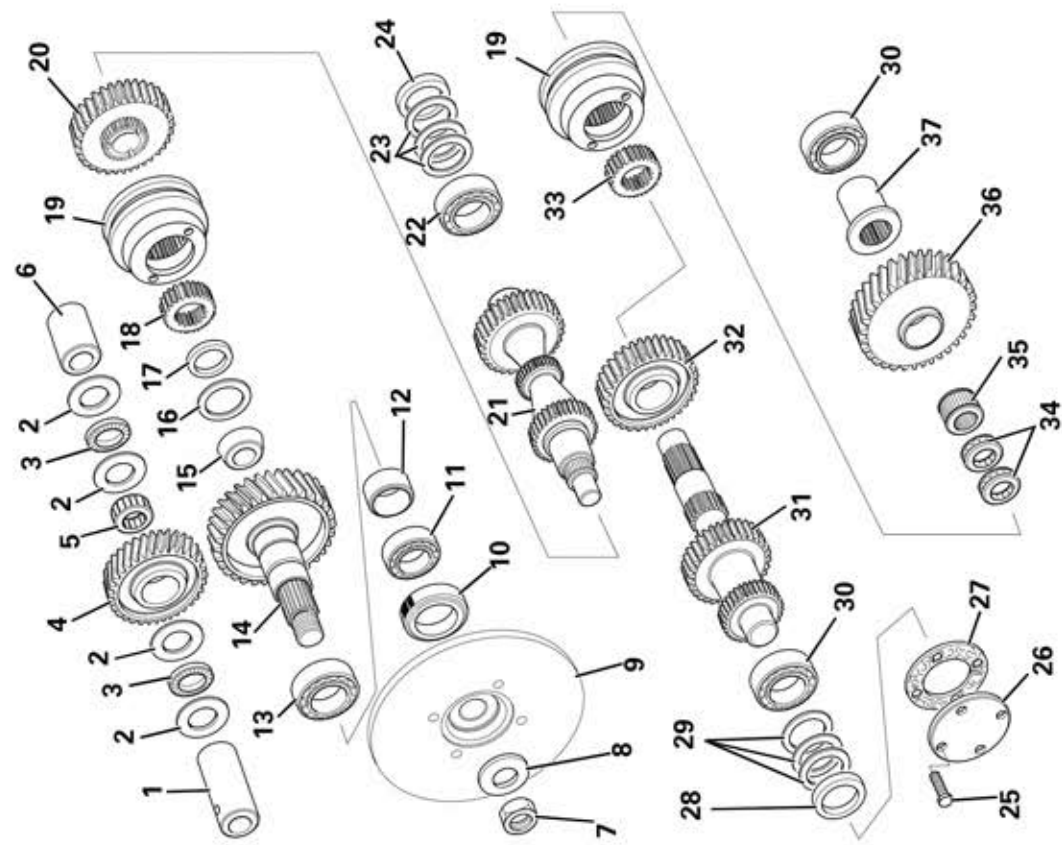


**TRANSMISSION INTERNAL**



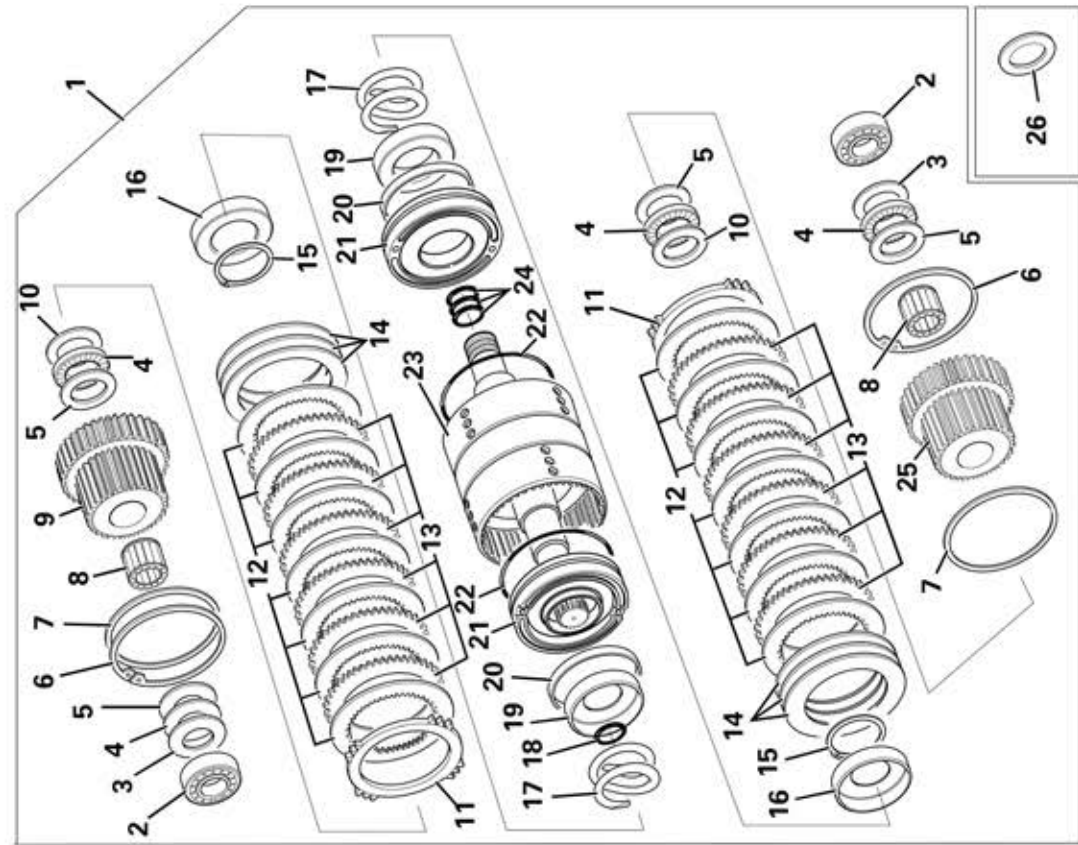
Item	Part No.	Description	Qty	U/M
1		IDLER SHAFT	1.0	EA
2		WASHER	4.0	EA
3		BEARING	2.0	EA
4		IDLER GEAR	1.0	EA
5		BEARING	1.0	EA
6		SPACER	1.0	EA
7		STAKE NUT	1.0	EA
8		WASHER	1.0	EA
9		FLANGE	1.0	EA
10		OIL SEAL	1.0	EA
11		BEARING	1.0	EA
12		SPACER KIT	1.0	EA
13		BEARING	1.0	EA
14		GEAR	1.0	EA
15		PILOT BEARING	1.0	EA
16		OIL SEAL	1.0	EA
17		SPACER	1.0	EA
18		SLEEVE	1.0	EA
19		SYNCHRONISER ASSEMBLY	1.0	EA
20		GEAR	2.0	EA
21		MAINSHAFT	1.0	EA
22		BEARING	1.0	EA
23		SHIM KIT	1.0	EA
24		SPACER	1.0	EA

**TRANSMISSION INTERNAL**



Item	Part No.	Description	Qty	U/M
25		BOLT	4.0	EA
26		END COVER	1.0	EA
27		GASKET	1.0	EA
28		SPACER	1.0	EA
29		SHIM KIT	1.0	EA
30		TAPER ROLLER BEARING	2.0	EA
31		LAYSHAFT	1.0	EA
32		GEAR	1.0	EA
33		SLEEVE	1.0	EA
34		BEARING	2.0	EA
35		BEARING	1.0	EA
36		GEAR	1.0	EA
37		SPACER	1.0	EA

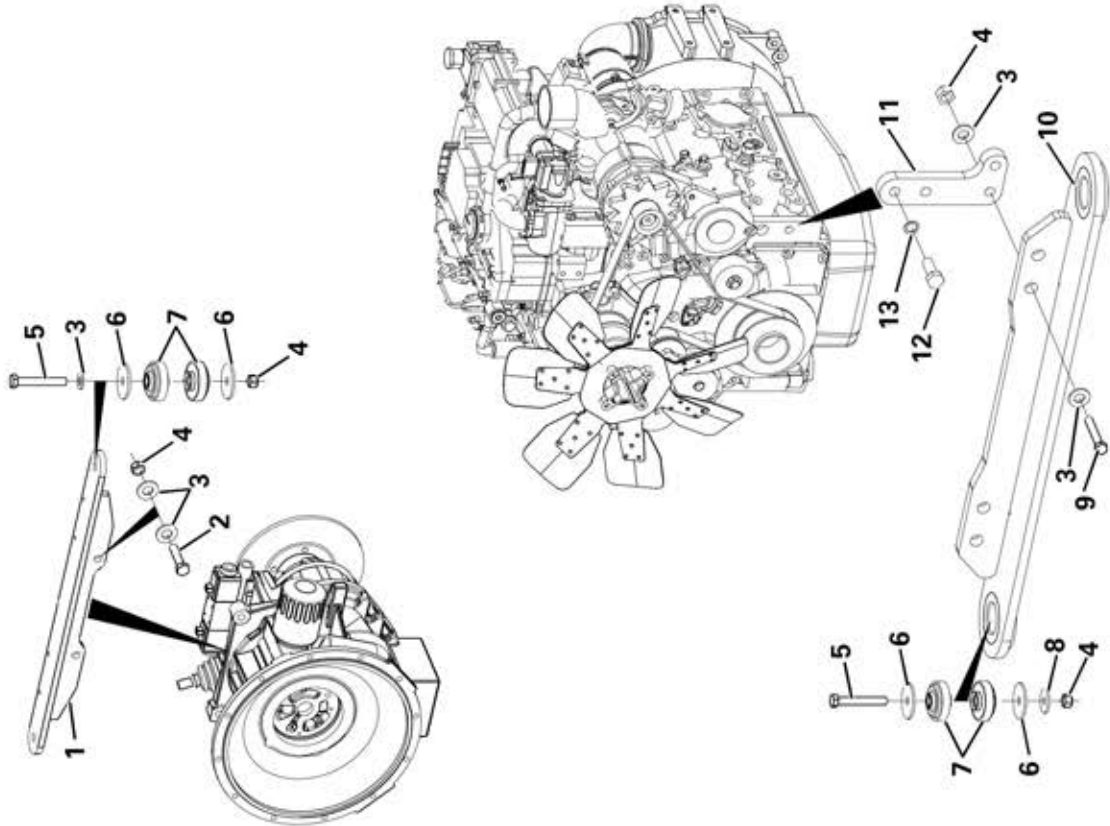
**TRANSMISSION REVERSE UNIT**



Item	Part No.	Description	Qty	U/M
1		REVERSER ASSY	1.0	EA
2		TAPER ROLLER BEARING	2.0	EA
3		THRUST WASHER	2.0	EA
4		THRUST BEARING	4.0	EA
5		THRUST WASHER	4.0	EA
6		CIRCLIP	2.0	EA
7		SHIM	A/R	EA
8		BEARING	2.0	EA
9		GEAR & PLATE ASSY	1.0	EA
10		THRUST WASHER	2.0	EA
11		PRESSURE PLATE	2.0	EA
12		FRICTION PLATE	12.0	EA
13		COUNTER PLATE	12.0	EA
14		DISC SPRING	6.0	EA
15		CIRCLIP	2.0	EA
16		SPRING RETAINER	2.0	EA
17		SPRING	2.0	EA
18		'O' RING	2.0	EA
19		OIL BAFFLE	2.0	EA
20		LINER	2.0	EA
21		PISTON	2.0	EA
22		O RING	2.0	EA
23		CLUTCH HOUSING	1.0	EA
24		SEAL RING	4.0	EA
25		GEAR & PLATE ASSY	1.0	EA
26		SHIM KIT	1.0	EA

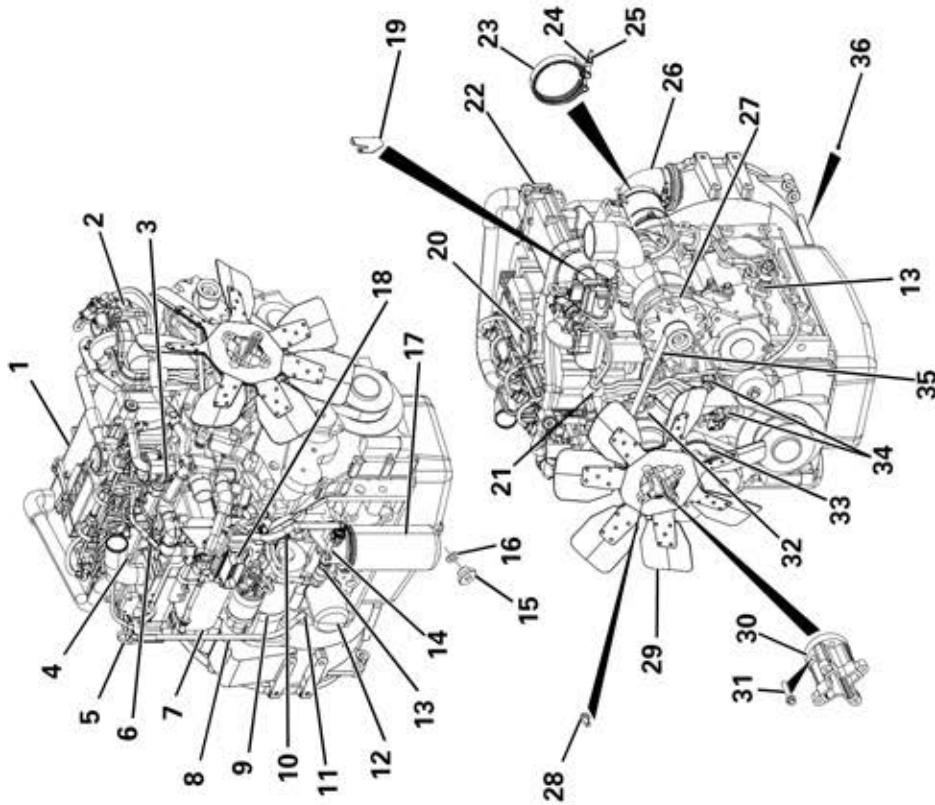
**ENGINE AND GEARBOX MOUNTINGS**

Item	Part No.	Description	Qty	U/M
1		GEARBOX MOUNTING	1.0	EA
2		BOLT	2.0	EA
3		WASHER	14.0	EA
4		PHILIDAS NUT	10.0	EA
5		BOLT	4.0	EA
6		PAD SPACER	8.0	EA
7		ENGINE MOUNTING	4.0	EA
8		HEAVY DUTY WASHER	2.0	EA
9		BOLT	4.0	EA
10		ENGINE MOUNTING	1.0	EA
11		SPACER BLOCK	2.0	EA
12		BOLT	4.0	EA
13		SCHNORR WASHER	4.0	EA



**ENGINE & ACCESSORIES**

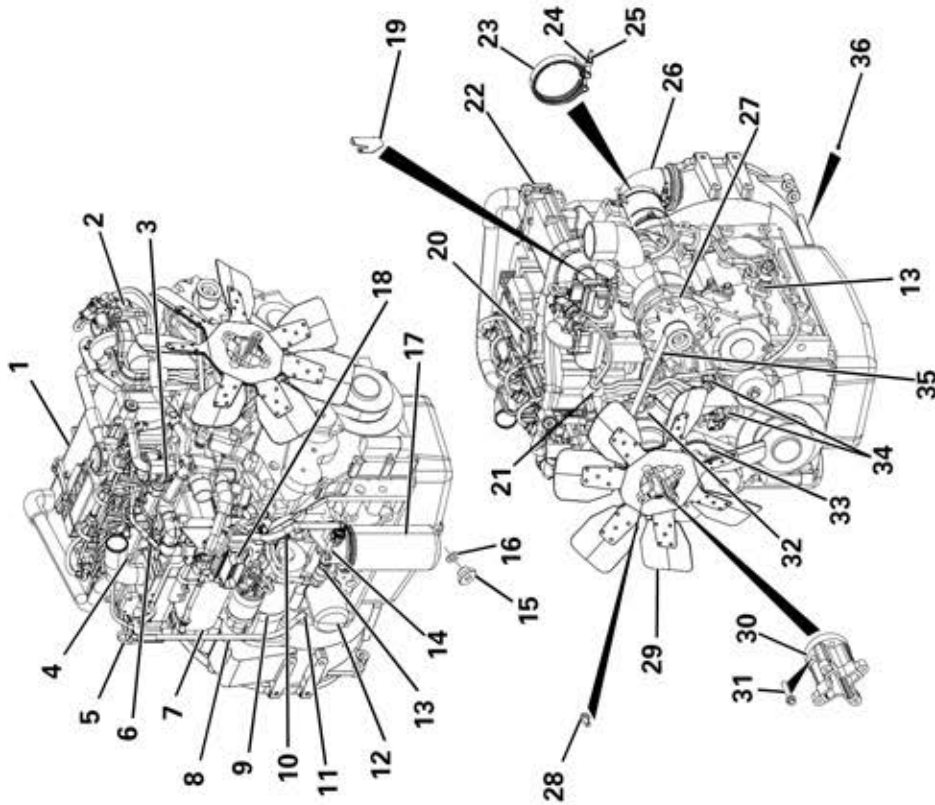
Item	Part No.	Description	Qty	U/M
* 1		ENGINE	1.0	EA
2		EGR VALVE	1.0	EA
3		COOLANT TEMPERATURE TRANSMITTER	1.0	EA
4		RAIL PRESSURE SENSOR	1.0	EA
5		DIPSTICK	1.0	EA
6		SENSOR - AIR PRESSURE	1.0	EA
7		ENGINE OIL COOLER	1.0	EA
8		DIPSTICK TUBE	1.0	EA
9		STARTER MOTOR	1.0	EA
10		RELAY - STARTER	1.0	EA
11		SEAL	1.0	EA
12		OIL FILTER	1.0	EA
13		FUEL / OIL TRANSDUCER	2.0	EA
14		FUEL FILTER ASSEMBLY	1.0	EA
15		OIL PLUG	1.0	EA
16		WASHER	1.0	EA
17		FUEL FILTER ELEMENT	1.0	EA
18		CENTRAL PLUG	1.0	EA



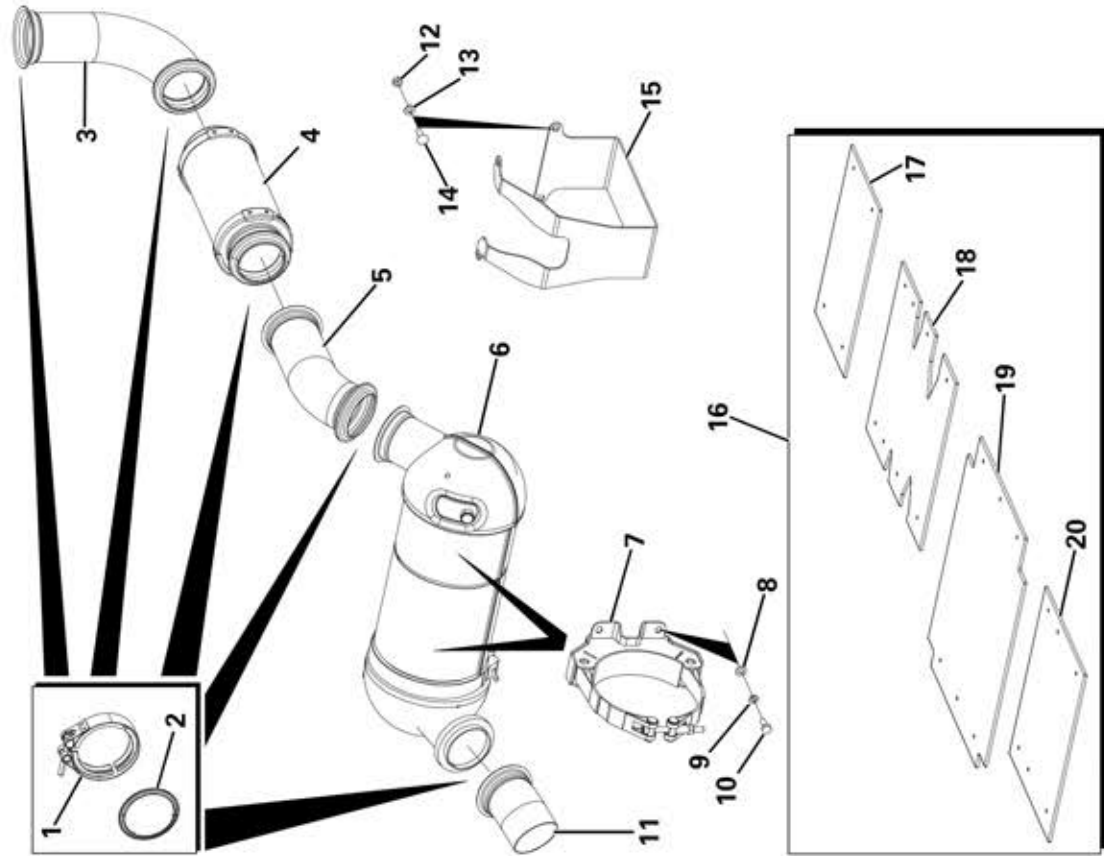


**ENGINE & ACCESSORIES**

Item	Part No.	Description	Qty	U/M
19		ENGINE PLUG BRACKET	1.0	EA
20		OIL CAP	1.0	EA
21		ENGINE HARNESS - DEUTZ	1.0	EA
22		EXHAUST VALVE (AFTER COOLER)	1.0	EA
23		V CLAMP EXHAUST ELBOW	1.0	EA
24		WASHER FOR V CLAMP	1.0	EA
25		NUT FOR V CLAMP	1.0	EA
26		EXHAUST ELBOW	1.0	EA
27		ALTERNATOR	1.0	EA
28		BOLT	4.0	EA
29		FAN	1.0	EA
30		FAN SPACER	1.0	EA
31		BOLT	4.0	EA
32		PUMP - COOLANT	1.0	EA
33		FAN BELT TENSIONER	1.0	EA
34		SENSOR - MAG PICK UP	2.0	EA
35		FANBELT	1.0	EA
36		GROMMET	1.0	EA



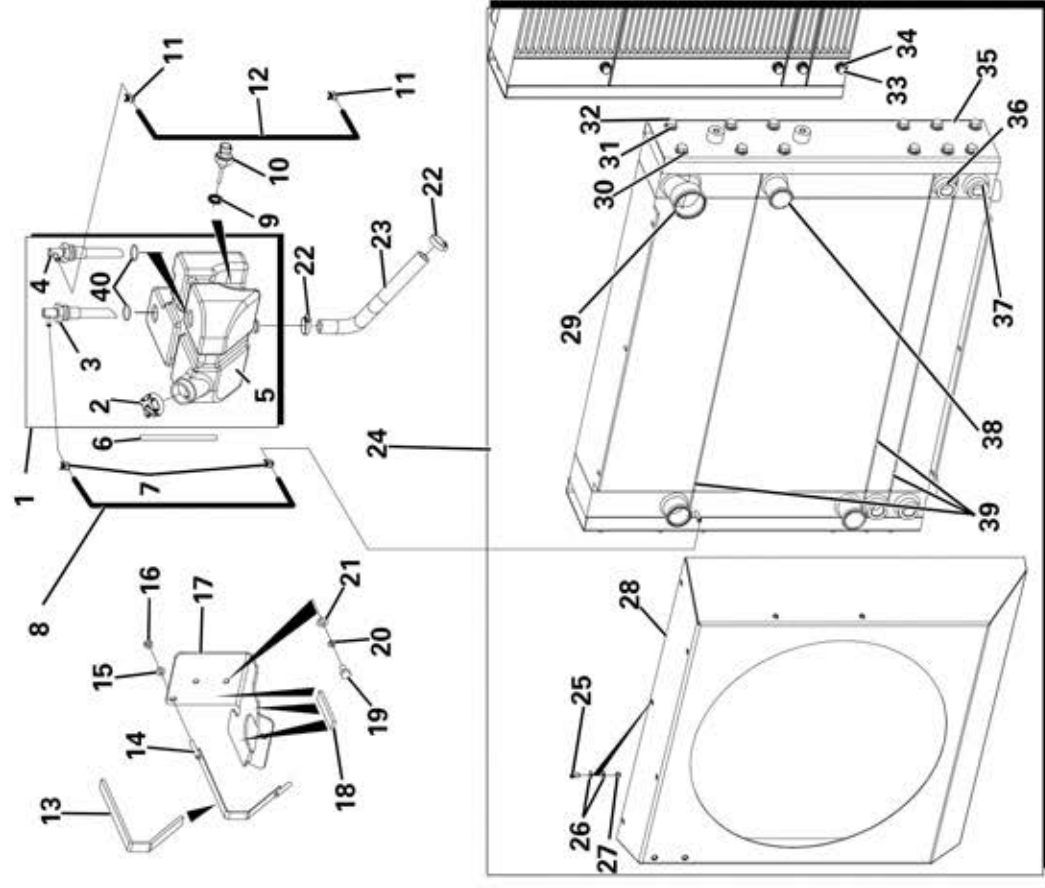
**EXHAUST SYSTEM - DOC**



Item	Part No.	Description	Qty	U/M
1		V CLAMP EXHAUST	5.0	EA
2		EXHAUST GASKET	5.0	EA
3		EXHAUST PIPE TURBO	1.0	EA
4		FLEXI EXHAUST	1.0	EA
5		EXHAUST PIPE FILTER	1.0	EA
6		DOC UNIT	1.0	EA
7		MOUNTING STRAP	2.0	EA
8		SPRING WASHER	8.0	EA
9		WASHER	8.0	EA
10		SETSCREW	8.0	EA
11		EXHAUST TAIL PIPE	1.0	EA
12		NUT STOVER	4.0	EA
13		WASHER	4.0	EA
14		CUP SQUARE COACH BOLT	4.0	EA
15		PROTECTIVE COVER	1.0	EA
16		EXHAUST HEAT SHIELD KIT	1.0	EA
17		EXHAUST HEAT JACKET CAST ELBOW	1.0	EA
18		EXHAUST HEAT JACKET TURBO TO FLEX	1.0	EA
19		EXHAUST HEAT JACKET FLEX	1.0	EA
20		EXHAUST HEAT JACKET FLEX TO FILTER	1.0	EA

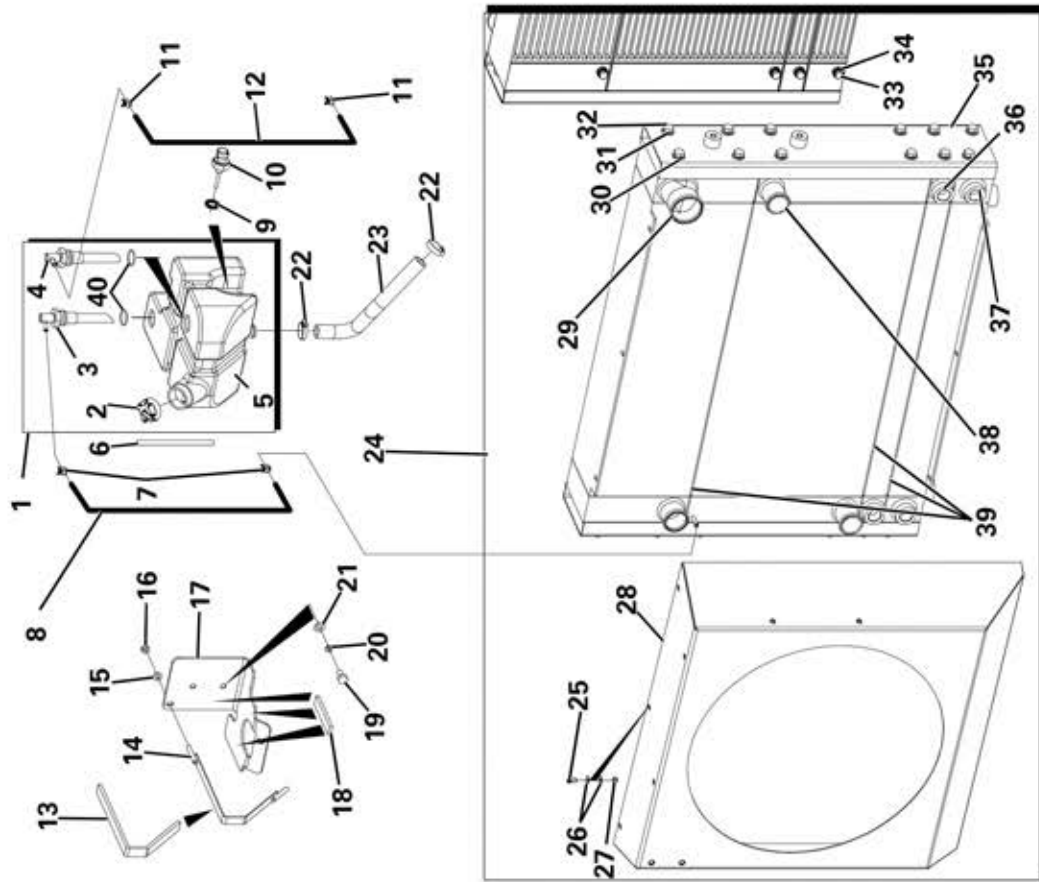
**RADIATOR ASSEMBLY**

Item	Part No.	Description	Qty	U/M
1		EXPANSION TANK ASSY	1.0	EA
2		EXPANSION TANK CAP	1.0	EA
3		RETURN ELBOW - RADIATOR	1.0	EA
4		RETURN ELBOW - ENGINE	1.0	EA
5		EXPANSION TANK	1.0	EA
6		RADIATOR OVERFLOW PIPE	1.0	EA
7		SPRING BAND CLAMP	2.0	EA
8		HOSE EXPANSION TANK TO RADIATOR	1.0	EA
9		DOWTY WASHER	1.0	EA
10		COOLANT LEVEL SWITCH	1.0	EA
11		SPRING BAND CLAMP	2.0	EA
12		HOSE EXPANSION TANK TO ENGINE	1.0	EA
13		FOAM STRIP	1.0	EA
14		EXPANSION BOTTLE STRAP	1.0	EA
15		WASHER	2.0	EA
16		NUT	2.0	EA
17		EXPANSION BOTTLE BRACKET	1.0	EA
18		FOAM STRIP	3.0	EA
19		SET SCREW	2.0	EA
20		SPRING WASHER	2.0	EA
21		WASHER	2.0	EA
22		JUBILEE CLIP	2.0	EA
23		EXPANSION BOTTLE HOSE	1.0	EA



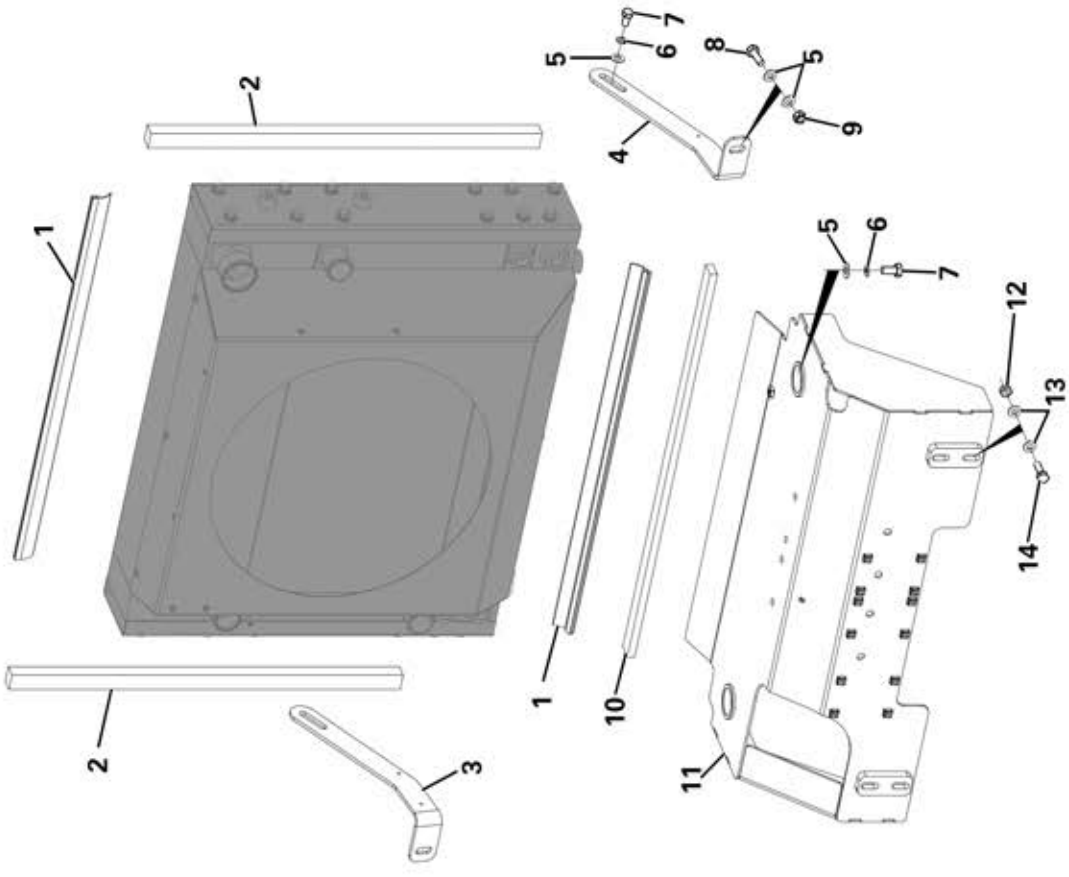
**RADIATOR ASSEMBLY**

Item	Part No.	Description	Qty	U/M
24		RADIATOR ASSEMBLY	1.0	EA
25		SET SCREW	6.0	EA
26		WASHER	12.0	EA
27		NYLOC NUT	6.0	EA
28		FAN COWL	1.0	EA
29		CHARGE AIR COOLER	1.0	EA
30		WASHER	24.0	EA
31		SPRING WASHER	24.0	EA
32		SET SCREW	24.0	EA
33		DRAIN PLUG	4.0	EA
*34		DOWTY WASHER	4.0	EA
35		SIDE FRAME	2.0	EA
36		OIL COOLER	1.0	EA
37		TRANSMISSION COOLER	1.0	EA
38		WATER COOLER	1.0	EA
39		FOAM STRIP	1.0	EA
40		O RING	2.0	EA

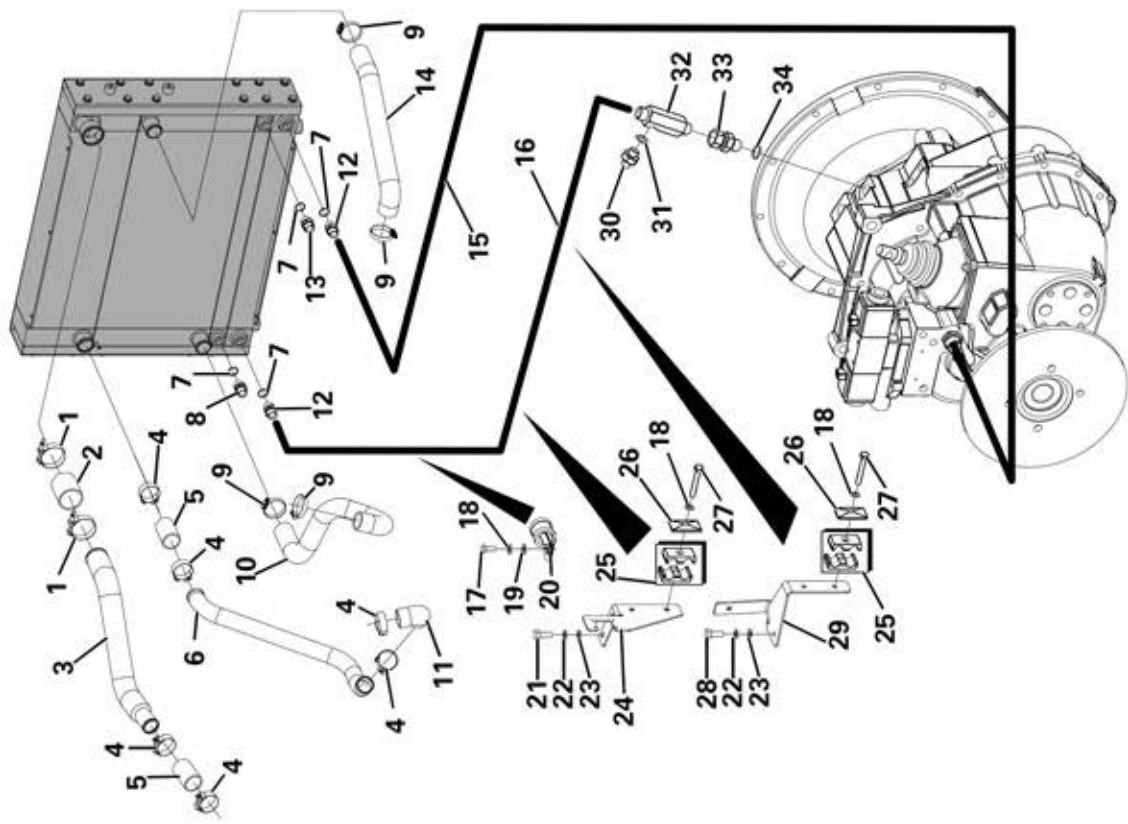


**RADIATORS SEALS AND FIXINGS**

Item	Part No.	Description	Qty	U/M
1		SEAL ( TOP & BOTTOM)	2.0	EA
2		RADIATOR SIDE SEAL	2.0	EA
3		RADIATOR STAY RH	1.0	EA
4		RADIATOR STAY LH	1.0	EA
5		HD WASHER	8.0	EA
6		SPRING WASHER	4.0	EA
7		SET SCREW	4.0	EA
8		SET SCREW	2.0	EA
9		STOVER NUT	2.0	EA
10		RADIATOR BOTTOM SEAL	1.0	EA
11		RADIATOR MOUNTING ASSY	1.0	EA
12		STOVER NUT	4.0	EA
13		HEAVY DUTY WASHER	8.0	EA
14		SET SCREW	4.0	EA

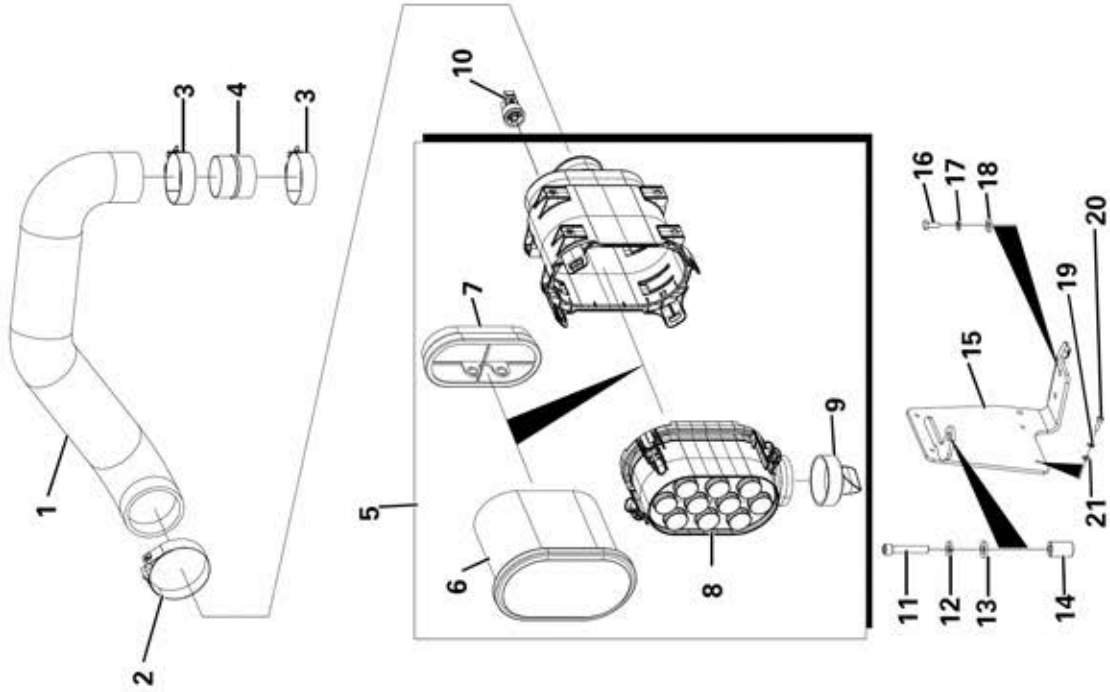


**RADIATOR HOSES**



Item	Part No.	Description	Qty	U/M
1	-	T-BOLT CLAMP	2.0	EA
2	-	SILICONE CUFF	1.0	EA
3	-	PIPE-DOC	1.0	EA
4	-	T-BOLT CLAMP	6.0	EA
5	-	SILICONE CUFF	2.0	EA
6	-	PIPE - TURBO	1.0	EA
7	-	DOWTY WASHER	4.0	EA
8	-	ADAPTOR	1.0	EA
9	-	JUBILEE CLIP	4.0	EA
10	-	BOTTOM RADIATOR HOSE	1.0	EA
11	-	PIPE ELBOW	1.0	EA
12	-	ADAPTOR	2.0	EA
13	-	ADAPTOR	1.0	EA
14	-	TOP RADIATOR HOSE	1.0	EA
15	-	HYD HOSE	1.0	EA
16	-	HYD HOSE	1.0	EA
17	-	SET SCREW	1.0	EA
18	-	SPRING WASHER	3.0	EA
19	-	WASHER PLAIN	1.0	EA
20	-	P CLIP	1.0	EA
21	-	SET SCREW	1.0	EA
22	-	SPRING WASHER	2.0	EA
23	-	WASHER PLAIN	4.0	EA
24	-	REAR TRANS. PIPE BRACKET	4.0	EA
25	-	PIPE CLAMP	1.0	EA
26	-	COVER PLATE	2.0	EA
27	-	BOLT	2.0	EA
28	-	SET SCREW	2.0	EA
29	-	FRONT TRANS. PIPE BRACKET	1.0	EA
30	-	TRANS. OIL TEMP. SWITCH	1.0	EA
31	-	DOWTY WASHER	1.0	EA
32	-	GEARBOX TEMP. SENSOR FITTING	1.0	EA
33	-	ADAPTOR	1.0	EA
34	-	DOWTY WASHER	1.0	EA

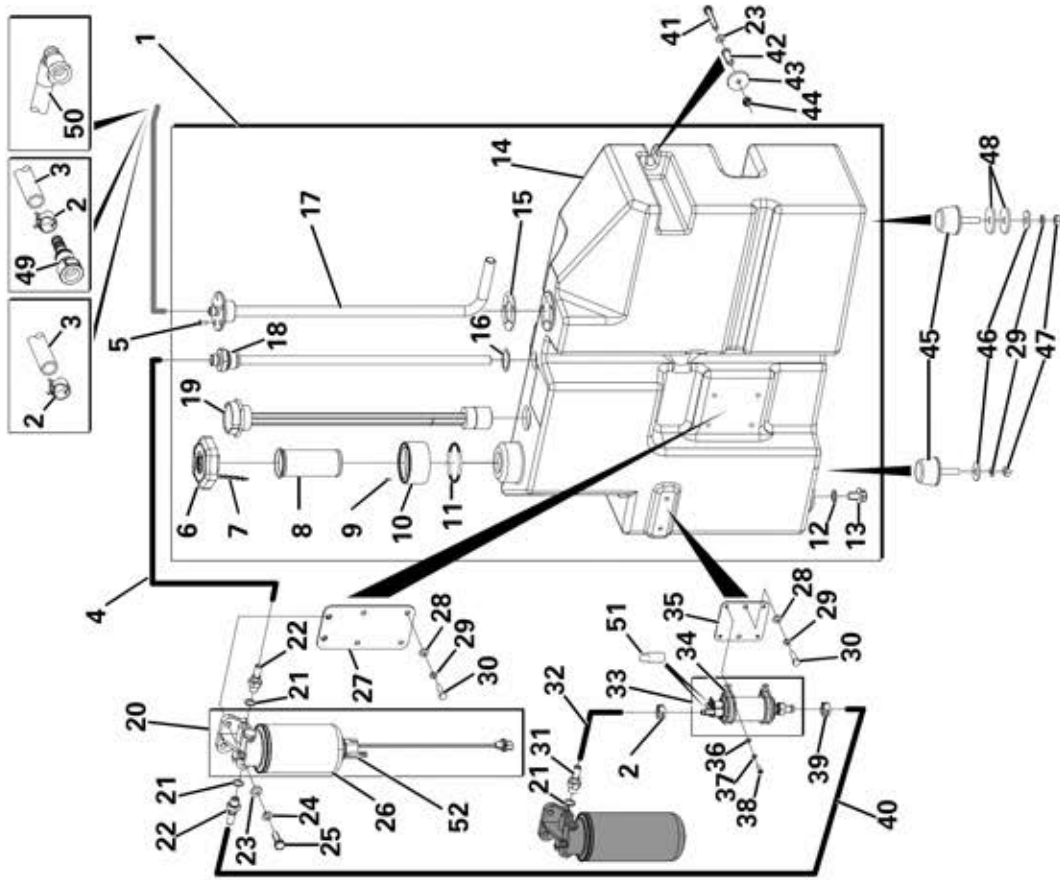
**AIR CLEANER ASSEMBLY**



Item	Part No.	Description	Qty	U/M
1		AIR CLEANER HOSE - DOC	1.0	EA
2		T BOLT CLAMP	1.0	EA
3		T BOLT CLAMP	2.0	EA
4		AIR CLEANER HOSE ADAPTOR	1.0	EA
5		AIR CLEANER	1.0	EA
6		FILTER ASSY	1.0	EA
7		SAFETY ELEMENT ASSY	1.0	EA
8		PRE CLEANER ASSY	1.0	EA
9		VALVE	1.0	EA
10		ELECTRICAL RESTRICTION INDICATOR	1.0	EA
11		SOCKET HEAD CAP SCREW	1.0	EA
12		WASHER	1.0	EA
13		SPRING WASHER	1.0	EA
14		SPACER TUBE	1.0	EA
15		AIR CLEANER MTG BRACKET	1.0	EA
16		SET SCREW	2.0	EA
17		SPRING WASHER	2.0	EA
18		WASHER	2.0	EA
19		SPRING WASHER	4.0	EA
20		SOCKET HEAD CAP SCREW	4.0	EA
21		WASHER	4.0	EA

**FUEL TANK ASSEMBLY**

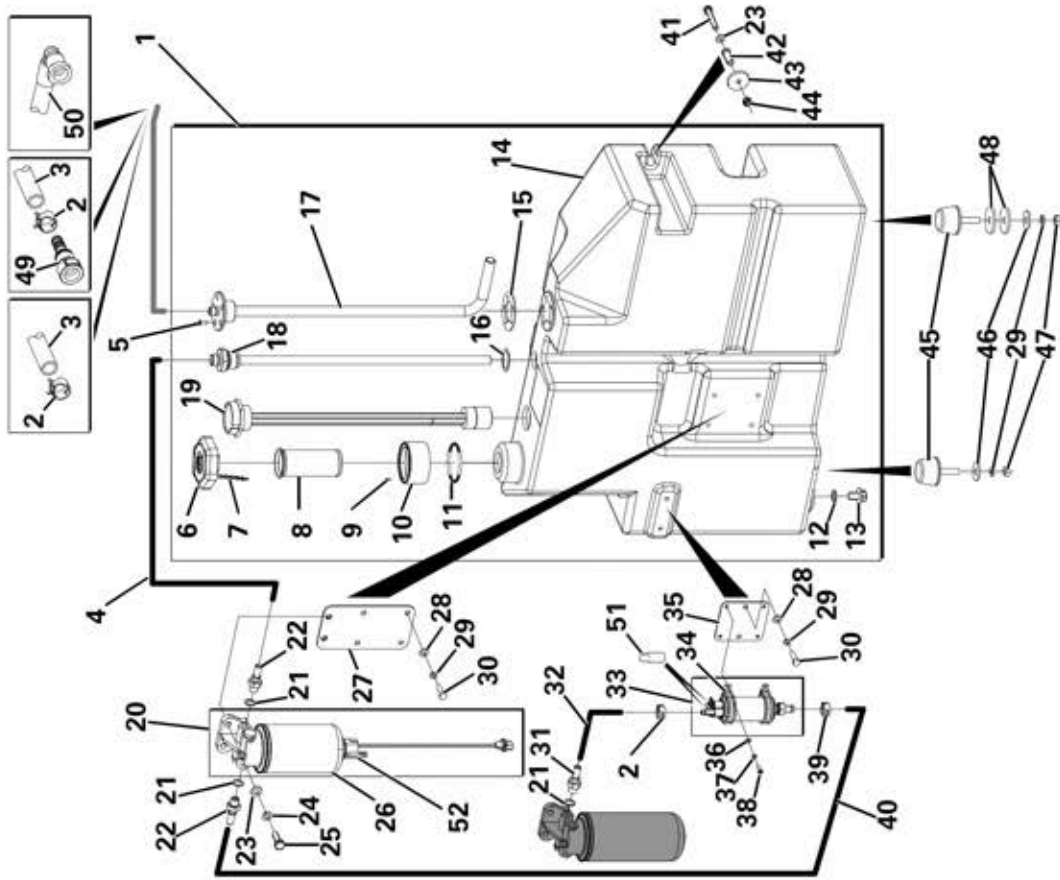
Item	Part No.	Description	Qty	U/M
1		FUEL TANK ASSY	1.0	EA
2		SPRING BAND CLAMP	2.0	EA
3		FUEL HOSE	1.0	EA
4		FUEL HOSE	1.0	EA
5		COUNTERSUNK SET SCREW	5.0	EA
6		FUEL FILLER CAP	1.0	EA
7		FILLER CAP CHAIN	1.0	EA
8		STRAINER	1.0	EA
9		SCREW	4.0	EA
10		FILLER CAP COLLAR	1.0	EA
11		O RING	1.0	EA
12		O RING	1.0	EA
13		DRAIN PLUG	1.0	EA
14		FUEL TANK	1.0	EA
15		SEAL	1.0	EA
16		GASKET	1.0	EA
17		FUEL RETURN PIPE	1.0	EA
18		FUEL SUCTION PIPE	1.0	EA
19		LEVEL GAUGE	1.0	EA
20		PRE FUEL FILTER	1.0	EA
21		COPPER WASHER	3.0	EA
22		ADAPTOR SPIGOT	2.0	EA
23		WASHER	4.0	EA
24		SPRING WASHER	2.0	EA
25		SET SCREW	2.0	EA
26		FILTER - PRIMARY	1.0	EA
27		FUEL FILTER MOUNTING PLATE	1.0	EA
28		WASHER	6.0	EA
29		SPRING WASHER	8.0	EA
30		SET SCREW	6.0	EA





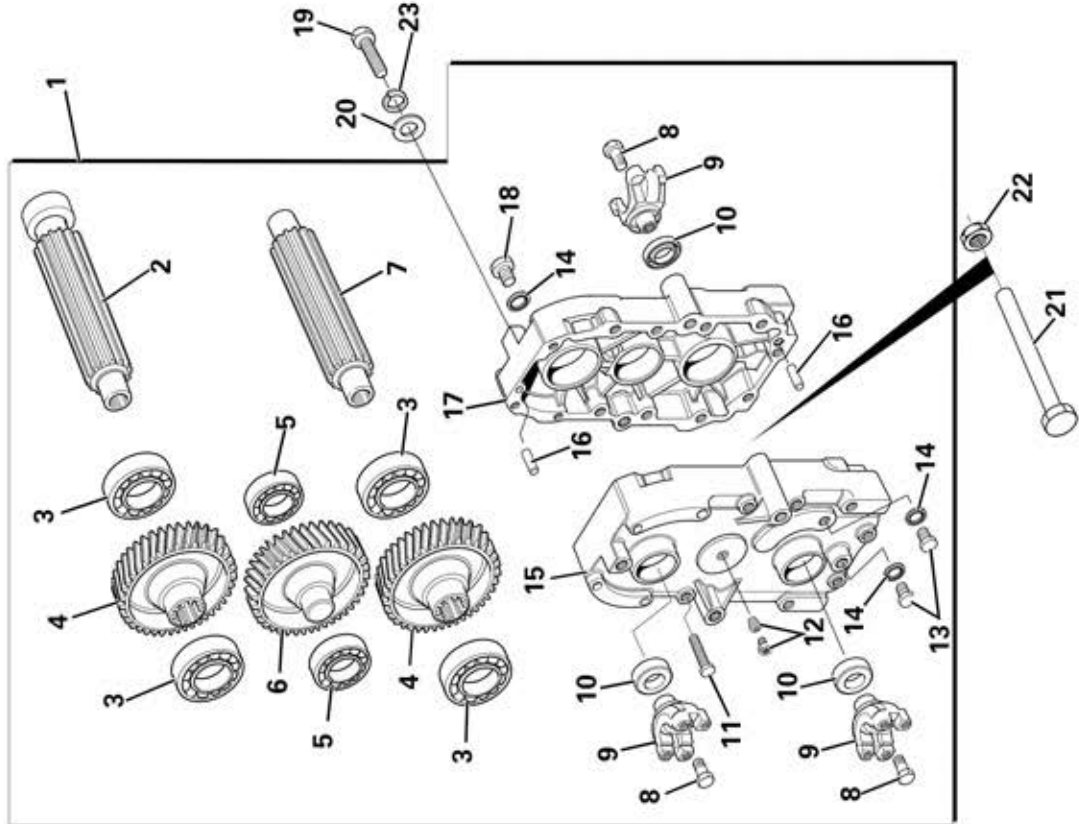
**FUEL TANK ASSEMBLY**

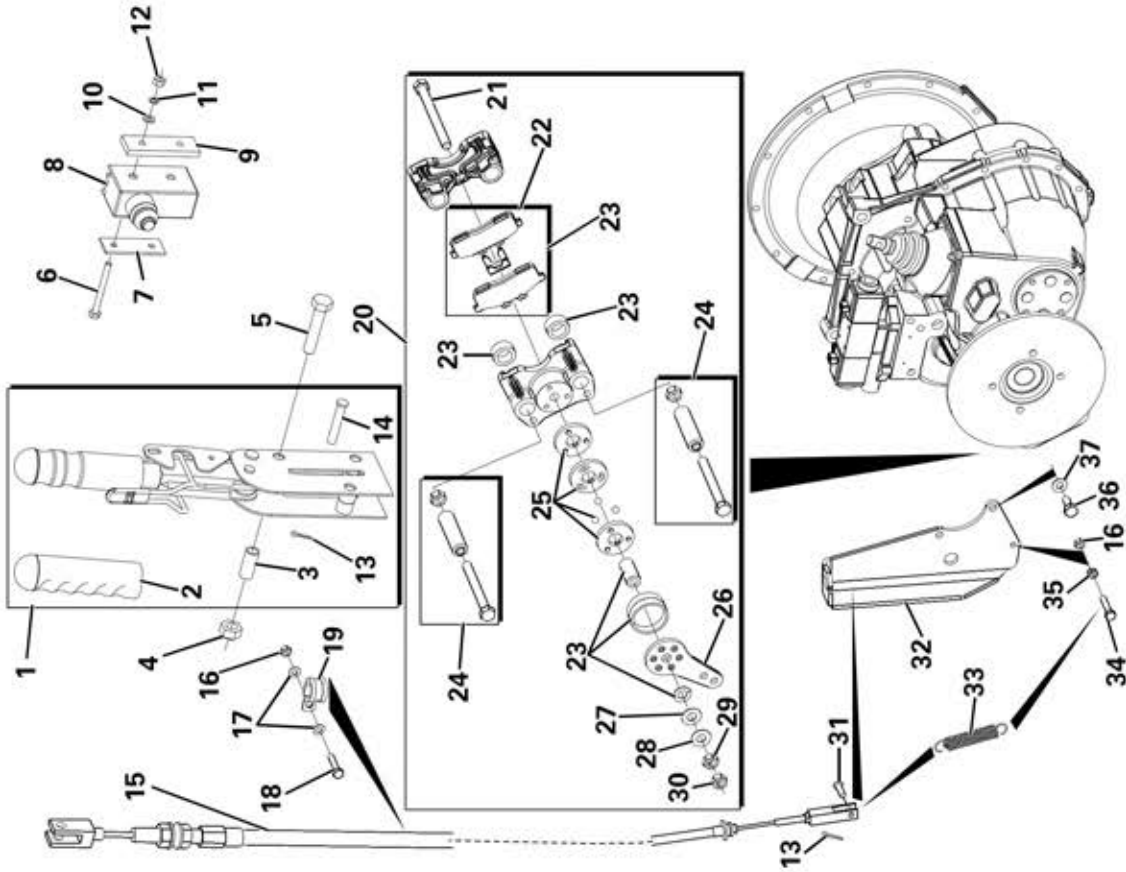
Item	Part No.	Description	Qty	U/M
31		ADAPTOR SPIGOT	1.0	EA
32		FUEL HOSE	1.0	EA
33		FUEL PUMP	1.0	EA
34		STRAPS FUEL PUMP	2.0	EA
35		FUEL PUMP MOUNTING PLATE	1.0	EA
36		WASHER	4.0	EA
37		SPRING WASHER	4.0	EA
38		SOCKET HEAD CAP SCREW	4.0	EA
39		SPRING BAND CLAMP	1.0	EA
40		FUEL HOSE	1.0	EA
41		BOLT	2.0	EA
42		TANK SPACER	2.0	EA
43		RUBBER BACKED WASHER	2.0	EA
44		NUT STOVER	2.0	EA
45		RUBBER BUFFER	2.0	EA
46		HEAVY DUTY WASHER	2.0	EA
47		NUT	2.0	EA
48		WASHER HEAVY DUTY	2.0	EA
*49		STRAIGHT QUICK CONNECTOR	1.0	EA
*50		FUEL HOSE	1.0	EA
*51		PVC FLEXIBLE CAP	2.0	EA
52		FILTER SENSOR	1.0	EA



**TRANSFER BOX ASSEMBLY**

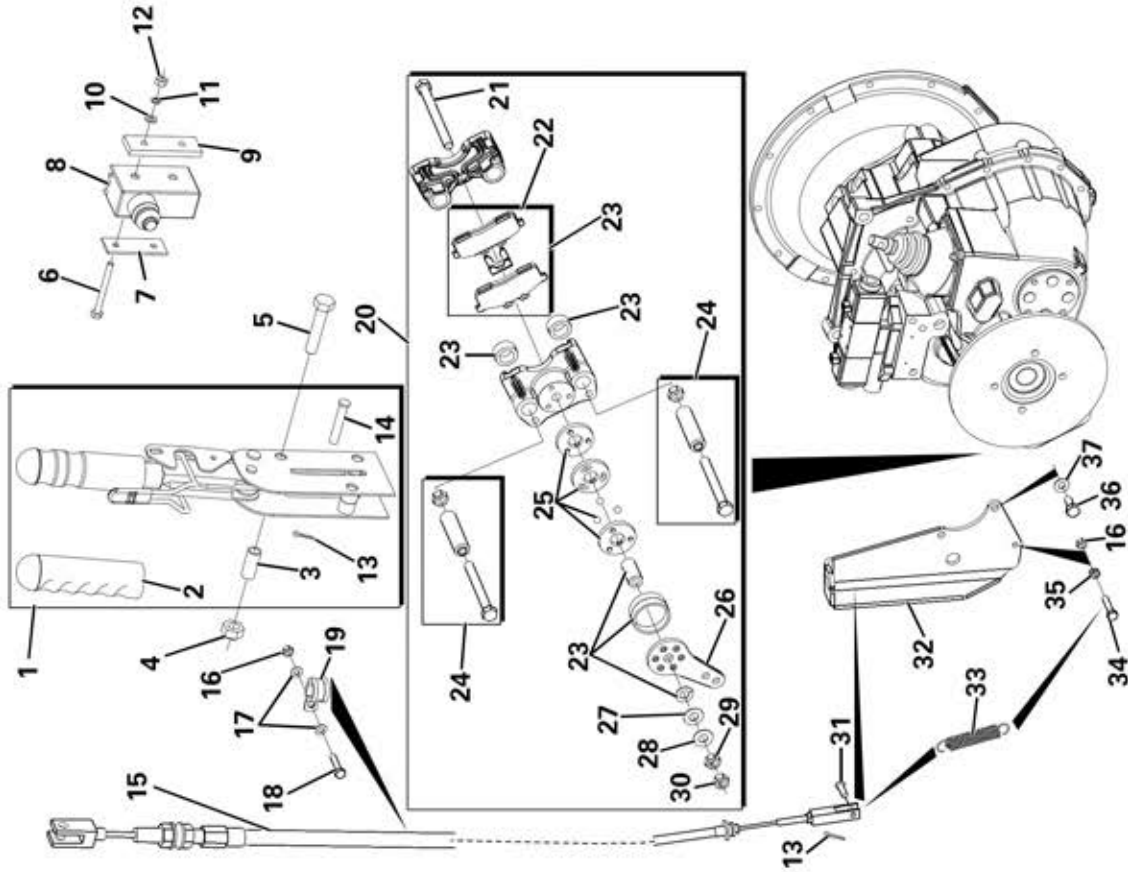
Item	Part No.	Description	Qty	U/M
1		TRANSFER CASE ASSEMBLY	1.0	EA
2		INPUT SHAFT	1.0	EA
3		BALL BEARING	4.0	EA
4		GEAR	2.0	EA
5		BEARING TAPER ROLLER	2.0	EA
6		IDLER GEAR	1.0	EA
7		OUTPUT SHAFT	1.0	EA
8		BOLT	3.0	EA
9		YOKE FLANGE COUPLING	3.0	EA
10		TRIPLE LIP SEAL	3.0	EA
11		BOLT HEX.HEAD	12.0	EA
12		PLUG	1.0	EA
13		PLUG	2.0	EA
14		SEAL	3.0	EA
15		CASE (FRONT)	1.0	EA
16		DOWEL	2.0	EA
17		CASE (REAR)	1.0	EA
18		PLUG - BREATHER	1.0	EA
19		BOLT	1.0	EA
20		PLAIN WASHER	1.0	EA
21		BOLT	2.0	EA
22		PHILIDAS NUT	2.0	EA
23		SPRING WASHER	1.0	EA





**HANDBRAKE ASSEMBLY**

Item	Part No.	Description	Qty	U/M
1		OVERCENTRE HANDBRAKE	1.0	EA
2		GRIP	1.0	EA
3		SPACER	2.0	EA
4		PHILIDAS NUT	2.0	EA
5		BOLT	2.0	EA
6		SET SCREW	2.0	EA
7		MICRO SWITCH BACKING PLATE	1.0	EA
8		MICRO SWITCH	1.0	EA
9		MICRO SWITCH SPACER	1.0	EA
10		WASHER	2.0	EA
11		SPRING WASHER	2.0	EA
12		NUT	2.0	EA
13		SPLIT PIN	2.0	EA
14		CLEVIS PIN	1.0	EA
15		HANDBRAKE CABLE	1.0	EA
16		NYLOC NUT	2.0	EA
17		WASHER	2.0	EA
18		SET SCREW	1.0	EA
19		P CLIP	1.0	EA

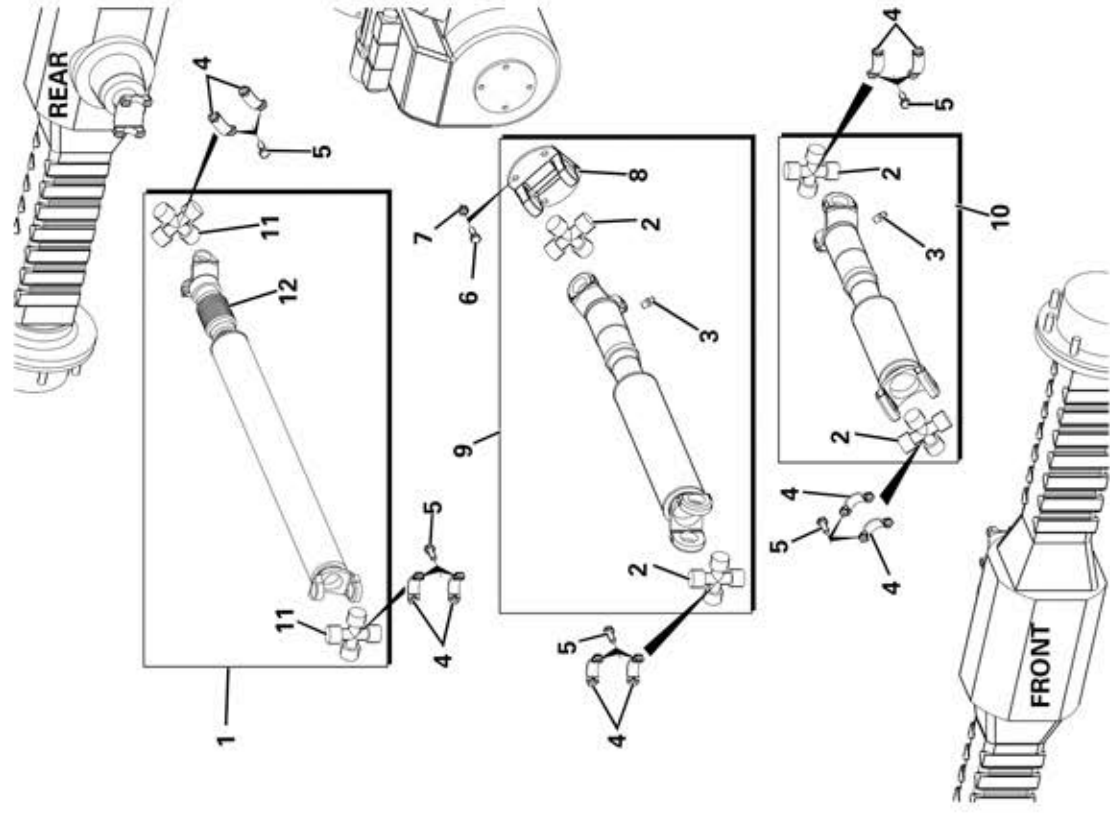


**HANDBRAKE ASSEMBLY**

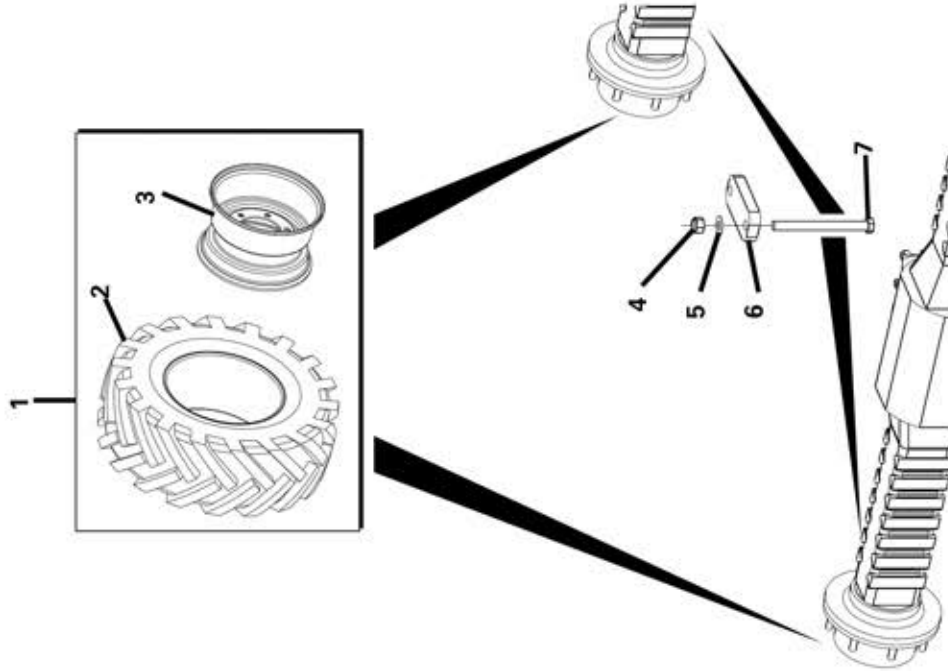
Item	Part No.	Description	Qty	U/M
20		HANDBRAKE CALIPER	1.0	EA
21		ADJUSTMENT BOLT	1.0	EA
22		BRAKE PAD ASSEMBLY	1.0	EA
23		WEAR KIT INC BRAKE PADS	1.0	EA
24		BOLT NUT & SLEEVE	2.0	EA
25		CAM, BALL RETAINER & BEARING	2.0	EA
26		LEVER	1.0	EA
27		STAINLESS STEEL WASHER	1.0	EA
28		HARDENED WASHER	1.0	EA
29		ADJUSTMENT NUT	1.0	EA
30		JAM ADJUSTMENT NUT	1.0	EA
31		CLEVIS PIN	1.0	EA
32		CABLE BRACKET	1.0	EA
33		TENSION SPRING	1.0	EA
34		BOLT	1.0	EA
35		NUT	1.0	EA
36		SET SCREW	2.0	EA
37		WASHER	2.0	EA

**PROPSHAFTS**

Item	Part No.	Description	Qty	U/M
1		PROPSHAFT REAR	1.0	EA
2		U/J KIT	4.0	EA
3		GREASE NIPPLE	2.0	EA
4		JOINT STRAP	10.0	EA
5		CLAMP BOLT	20.0	EA
6		PROPSHAFT BOLT	4.0	EA
7		PHILIDAS NUT	4.0	EA
8		FLANGE	1.0	EA
9		PROPSHAFT TOP	1.0	EA
10		PROPSHAFT FRONT	1.0	EA
11		U/J KIT	2.0	EA
12		GAITER KIT	1.0	EA

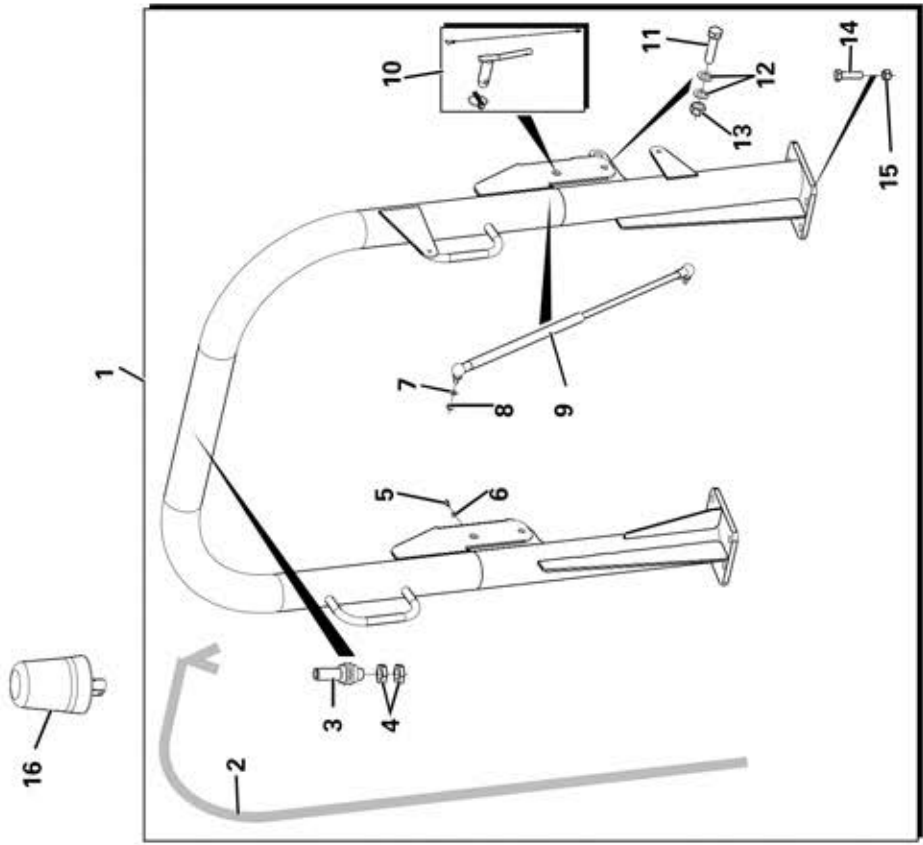


**WHEEL & TYRE ASSEMBLY**



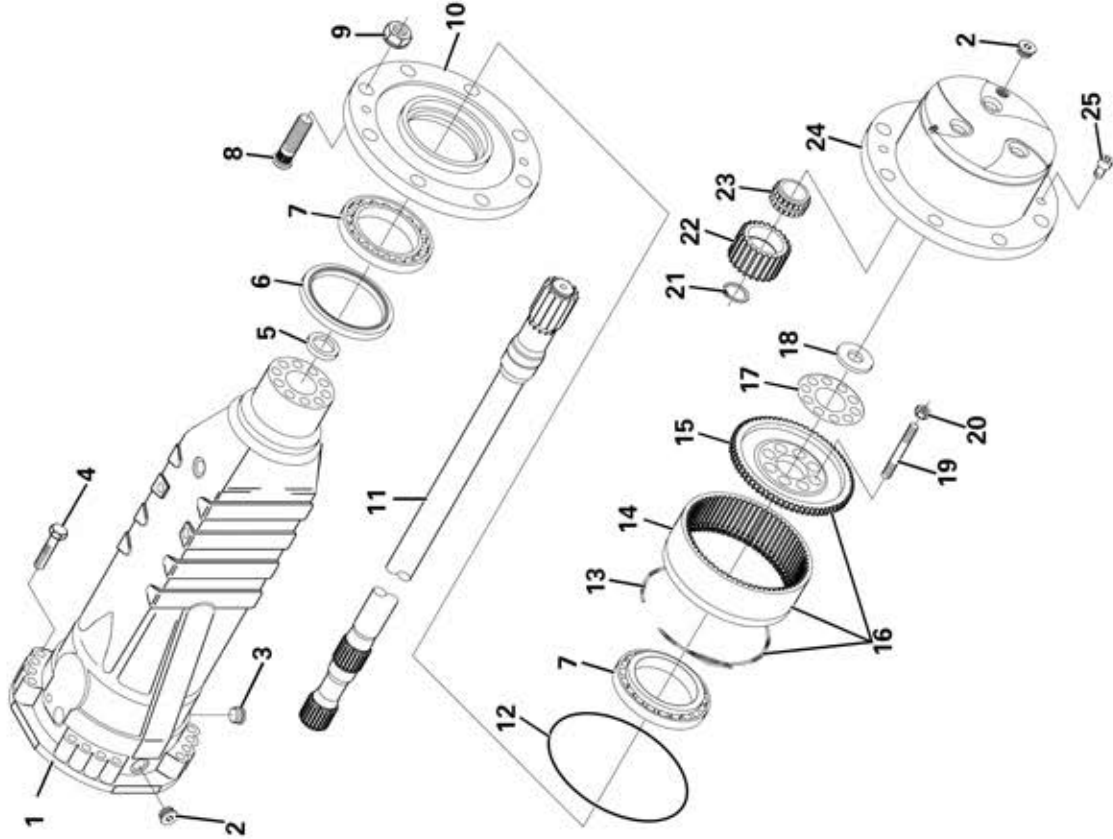
Item	Part No.	Description	Qty	U/M
1		WHEEL ASSY	4.0	EA
2		TYRE	1.0	EA
3		RIM	1.0	EA
4		PHILIDAS NUT	8.0	EA
5		WASHER	8.0	EA
6		CLAMP PLATE	4.0	EA
7		BOLT	8.0	EA

**ROPS FRAME ASSEMBLY**



Item	Part No.	Description	Qty	U/M
1		ROPS FRAME	1.0	EA
2		HARNES	1.0	EA
3		BEACON STEM	1.0	EA
4		LOCK NUT	2.0	EA
5		SET SCREW	2.0	EA
6		WASHER	2.0	EA
7		SPRING WASHER	2.0	EA
8		NUT	2.0	EA
9		GAS SPRING	1.0	EA
10		ROPS PIN ASSEMBLY	2.0	EA
11		BOLT	2.0	EA
12		WASHER	4.0	EA
13		NYLOC NUT	2.0	EA
14		BOLT	8.0	EA
15		STOVER NUT	8.0	EA
16		ROTATING BEACON	1.0	EA

**AXLE & HUB REDUCTION**

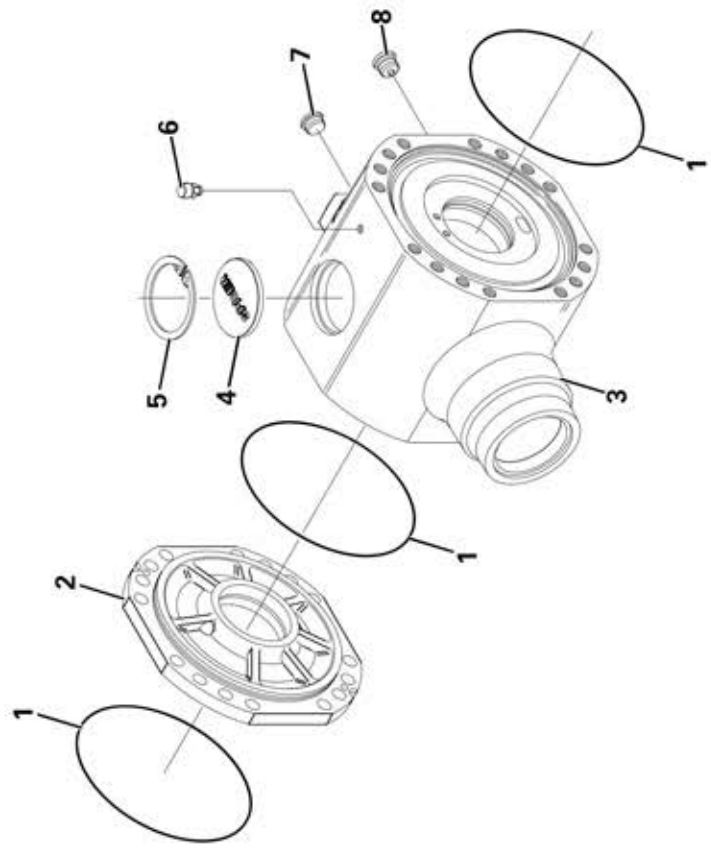


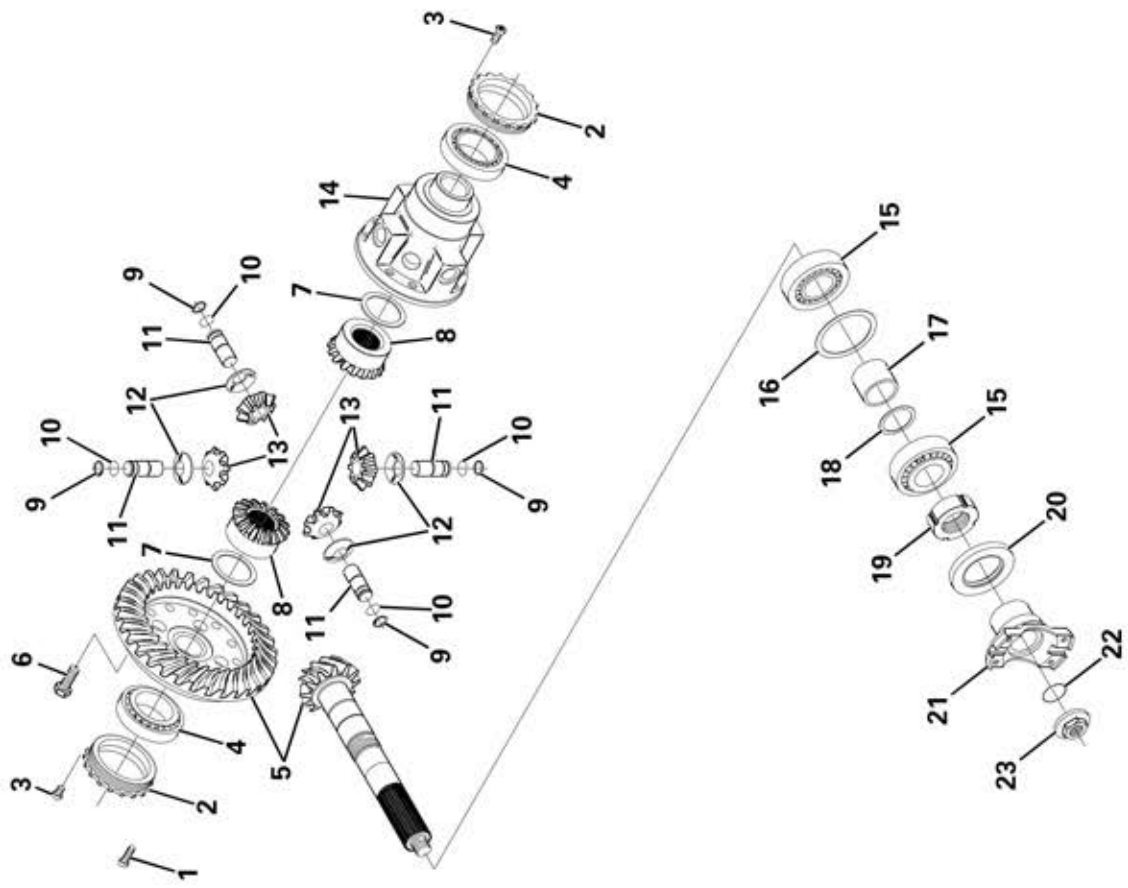
Item	Part No.	Description	Qty	U/M
A		AXLE	2.0	EA
1		AXLE CASE	2.0	EA
2		PLUG	4.0	EA
3		MAGNET PLUG	2.0	EA
4		BOLT	32.0	EA
5		SEAL	2.0	EA
6		SEAL	2.0	EA
7		BEARING	4.0	EA
8		WHEEL STUD	16.0	EA
9		WHEEL NUT	16.0	EA
10		WHEEL HUB	2.0	EA
11		HALF SHAFT	2.0	EA
12		'O' RING	2.0	EA
13		CIRCLIP	2.0	EA
14		RING GEAR	2.0	EA
15		RING GEAR SUPPORT	2.0	EA
16		RING GEAR SUPPORT ASSY	2.0	EA
17		LOCKING PLATE	2.0	EA
18		FRICITION WASHER	2.0	EA
19		STUD	16.0	EA
20		NUT	16.0	EA
21		CIRCLIP	6.0	EA
22		PLANET GEAR	6.0	EA
23		BEARING	6.0	EA
24		PLANET GEAR CARRIER	2.0	EA
25		COUNTERSUNK BOLT	4.0	EA



**AXLE - CENTRAL HOUSING**

Item	Part No.	Description	Qty	U/M
1		'O' RING	3.0	EA
2		INTERMEDIATE COVER	1.0	EA
3		HOUSING	1.0	EA
4		PLUG	1.0	EA
5		CIRCLIP	1.0	EA
6		VENT	1.0	EA
7		PLUG	1.0	EA
8		MAGNET PLUG	1.0	EA



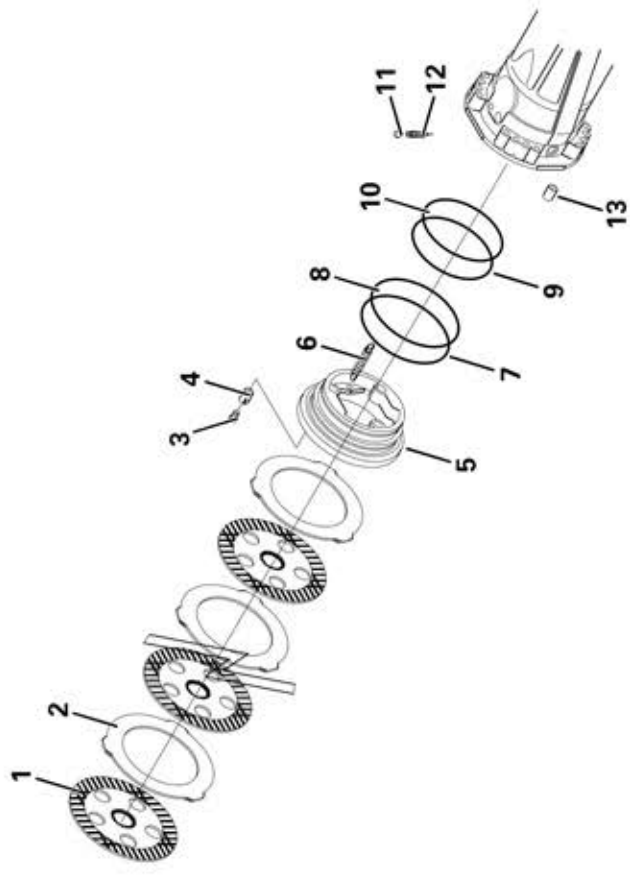


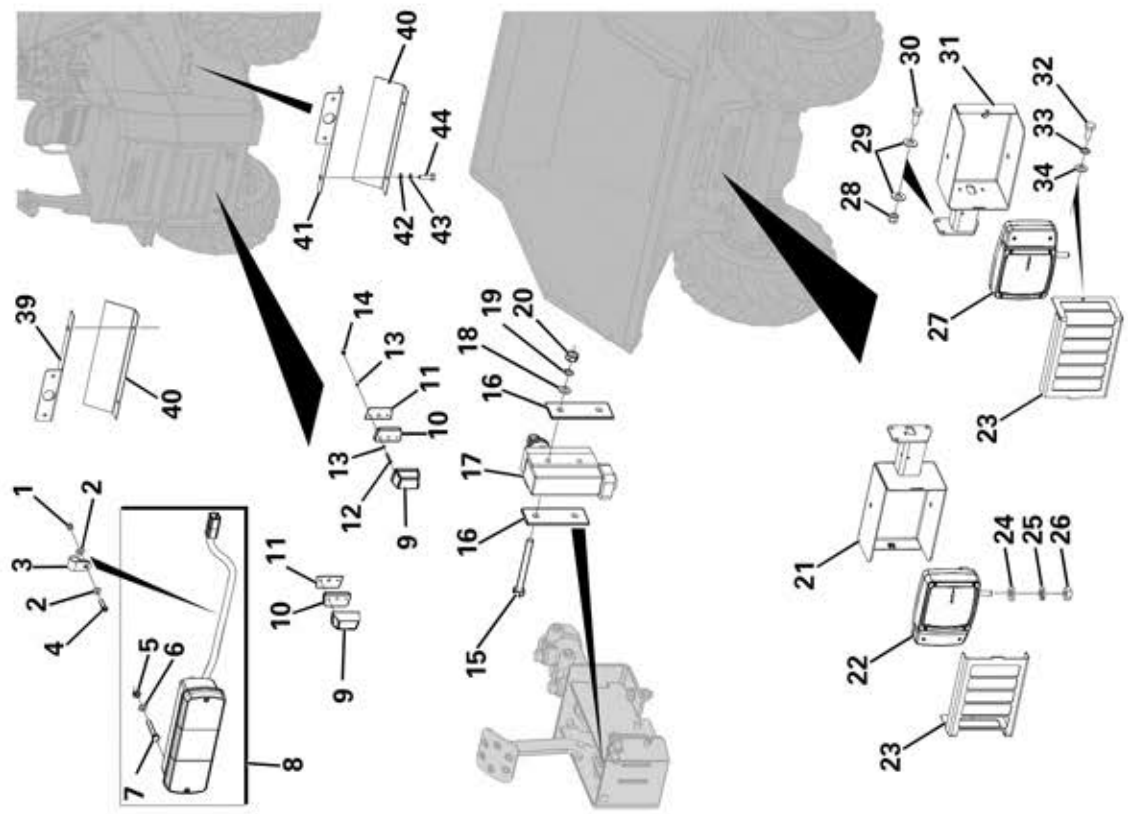
**AXLE - DIFFERENTIAL**

Item	Part No.	Description	Qty	U/M
1		CYLINDER BOLT	4.0	EA
2		RING NUT	2.0	EA
3		CYLINDER BOLT	2.0	EA
4		TAPER ROLLER BEARING	2.0	EA
5		BEVEL GEAR SET	1.0	EA
6		BOLT	12.0	EA
7		FRICTION WASHER	2.0	EA
8		DIFFERENTIAL SIDE GEAR	2.0	EA
9		CIRCLIP	4.0	EA
10		CIRCLIP	4.0	EA
11		PIN	4.0	EA
12		FRICTION WASHER	4.0	EA
13		DIFFERENTIAL PINION	4.0	EA
14		DIFFERENTIAL CARRIER	1.0	EA
15		TAPER ROLLER BEARING	2.0	EA
16		SHIM	A/R	EA
17		SHIM	A/R	EA
18		SHIM	A/R	EA
19		SHIM	A/R	EA
20		SPACER	1.0	EA
21		SHIM	A/R	EA
22		SHIM	A/R	EA
23		SHIM	A/R	EA
19		RING NUT	1.0	EA
20		SEAL	1.0	EA
21		FLANGE	1.0	EA
22		'O' RING	1.0	EA
23		NUT	1.0	EA

**AXLE - BRAKES**

Item	Part No.	Description	Qty	U/M
1		BRAKE DISC	8.0	EA
2		INTERMEDIATE BRAKE DISC	10.0	EA
3		ADJUSTING BOLT	6.0	EA
4		SPRING	6.0	EA
5		PISTON	2.0	EA
6		SPRING	6.0	EA
7		BACK UP RING	2.0	EA
8		'O' RING	2.0	EA
9		'O' RING	2.0	EA
10		BACK UP RING	2.0	EA
11		PLUG	2.0	EA
12		BLEEDING BOLT	2.0	EA
13		DOWEL	2.0	EA



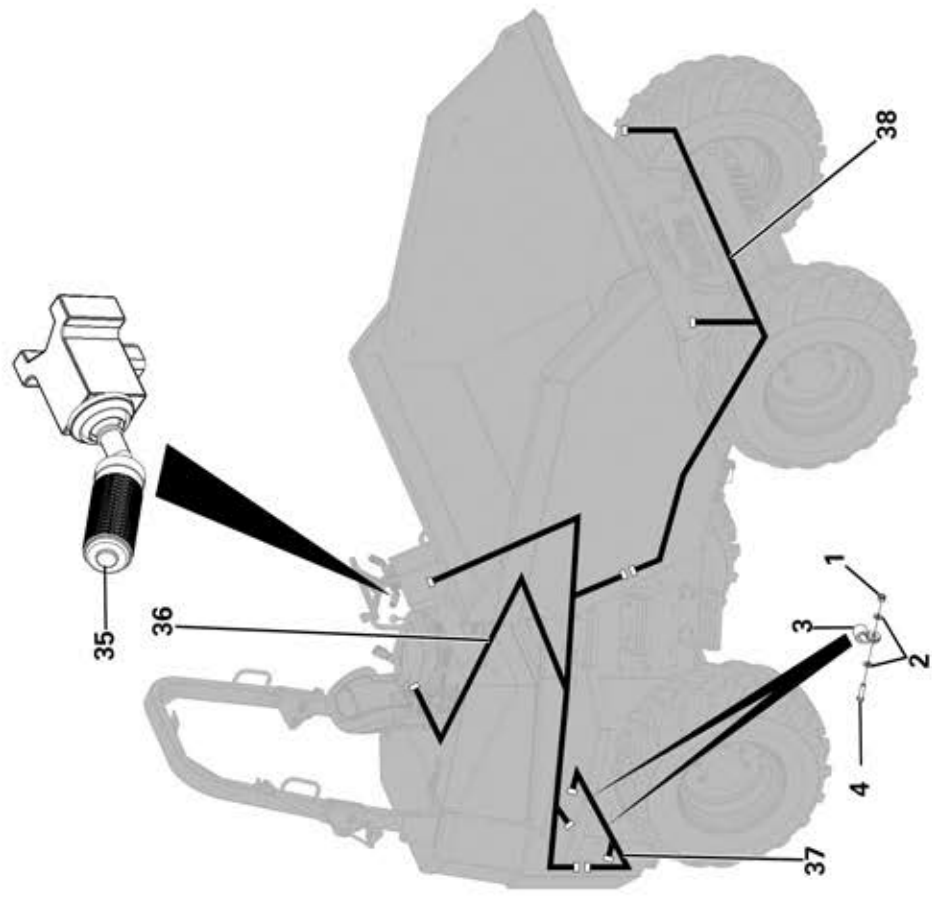


**ROAD LIGHTS**

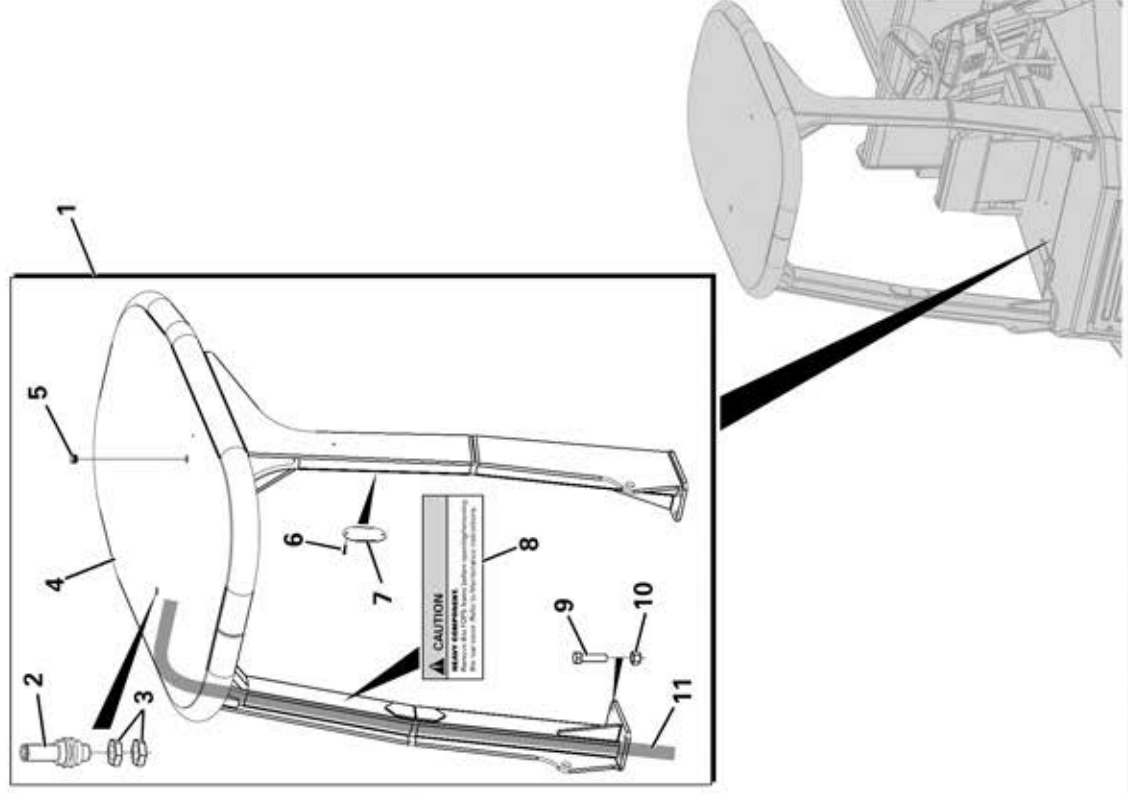
Item	Part No.	Description	Qty	U/M
1		NYLOC NUT	4.0	EA
2		WASHER	8.0	EA
3		P CLIP PLASTIC	4.0	EA
4		CHEESE HEAD SCREW	4.0	EA
5		NUT	4.0	EA
6		SHAKEPROOF WASHER	4.0	EA
7		SET SCREW	4.0	EA
8		REAR LIGHT ASSEMBLY	2.0	EA
9		NUMBER PLATE LAMP	2.0	EA
10		NUMBER PLATE LIGHT PLINTH	2.0	EA
11		NUMBER PLATE LIGHT GASKET	2.0	EA
12		CHEESE HEAD SCREW	4.0	EA
13		WASHER	16.0	EA
14		NYLOC NUT	16.0	EA
15		SET SCREW	2.0	EA
16		MICRO SWITCH BACKING PLATE	2.0	EA
17		MICRO SWITCH	1.0	EA
18		WASHER	2.0	EA
19		SPRING WASHER	2.0	EA
20		NUT	2.0	EA
21		FRONT LIGHT BOX RH	1.0	EA
22		HEADLAMP -UK	1.0	EA
23		HEADLAMP -CONTINENTAL	1.0	EA
24		FRONT LIGHT GRILLE	2.0	EA
25		WASHER	2.0	EA
26		SPRING WASHER	2.0	EA
27		NUT	2.0	EA
28		HEADLAMP -UK	1.0	EA
29		HEADLAMP -CONTINENTAL	1.0	EA
30		STOVER NUT	6.0	EA
31		HEAVY DUTY WASHER	12.0	EA
32		SET SCREW	6.0	EA
33		FRONT LIGHT BOX LH	1.0	EA
34		SET SCREW	2.0	EA
35		SPRING WASHER	2.0	EA

**ROAD LIGHTS**

Item	Part No.	Description	Qty	U/M
34		WASHER	2.0	EA
35		COLUMN SWITCH LIGHTS	1.0	EA
36		See VEHICLE HARNESS page		
37		NUMBER PLATE HARNESS	1.0	EA
38		FRONT LIGHTING HARNESS	1.0	EA
39		REAR LIGHT CLUSTER GUARD MOUNT - LH	1.0	EA
40		REAR LIGHT CLUSTER GUARD	2.0	EA
41		REAR LIGHT CLUSTER GUARD MOUNT - RH	1.0	EA
42		WASHER	4.0	EA
43		SPRING WASHER	4.0	EA
44		SET SCREW	4.0	EA



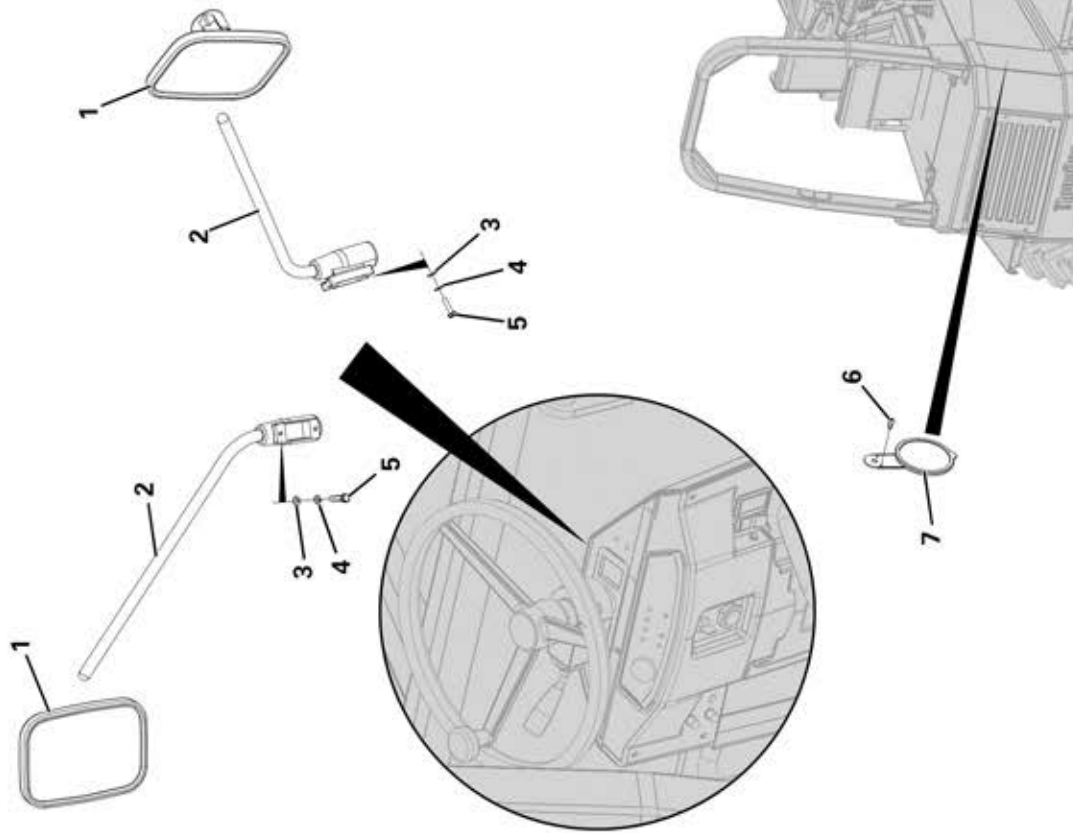
**ROPS/FOPS CANOPY FRAME**



Item	Part No.	Description	Qty	U/M
1		ROPS/FOPS CANOPY FRAME	1.0	EA
2		BEACON STEM	1.0	EA
3		LOCK NUT	2.0	EA
4		ROPS/FOPS FRAME	1.0	EA
5		BLANKING PLUG	1.0	EA
6		HEXAGON HEAD SELF TAPPER	2.0	EA
7		COVER PLATE	1.0	EA
8		FOPS FRAME WARNING DECAL	1.0	EA
9		BOLT	8.0	EA
10		PHILIDAS NUT	8.0	EA
11		HARNESS	1.0	EA

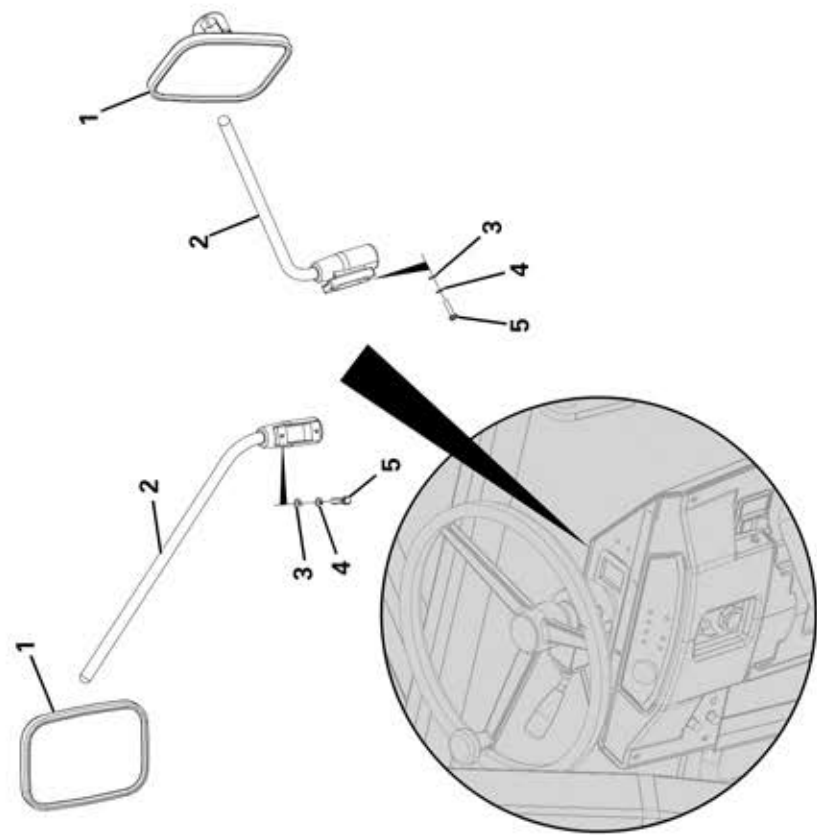
**ROAD EQUIPMENT KIT**

Item	Part No.	Description	Qty	U/M
1		MIRROR HEAD	2.0	EA
2		ARM FOR WING MIRROR	2.0	EA
3		HEAVY DUTY WASHER	4.0	EA
4		SPRING WASHER	4.0	EA
5		SET SCREW	4.0	EA
6		POSIDRIVE SELF TAPPER	2.0	EA
7		LICENCE HOLDER	1.0	EA



**ROAD MIRRORS**

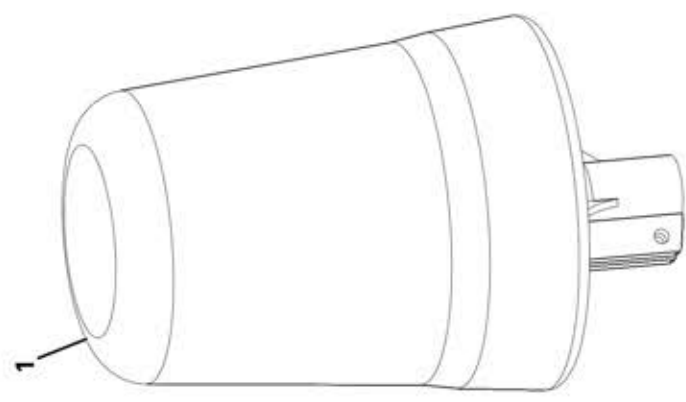
Item	Part No.	Description	Qty	U/M
1		MIRROR HEAD	2.0	EA
2		ARM FOR WING MIRROR	2.0	EA
3		HEAVY DUTY WASHER	4.0	EA
4		SPRING WASHER	4.0	EA
5		SET SCREW	4.0	EA





**XENON BEACON**

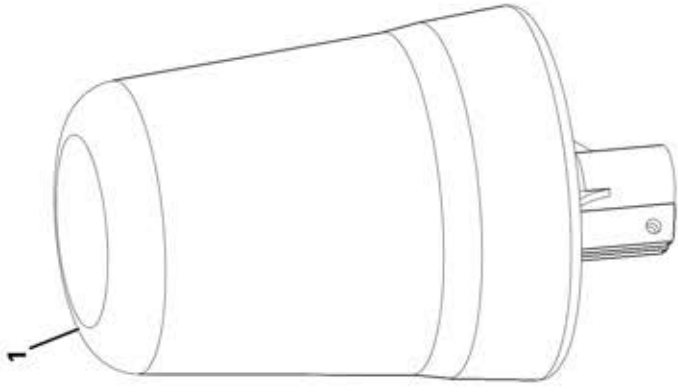
Item	Part No.	Description	Qty	U/M
1		XENON BEACON	1.0	EA

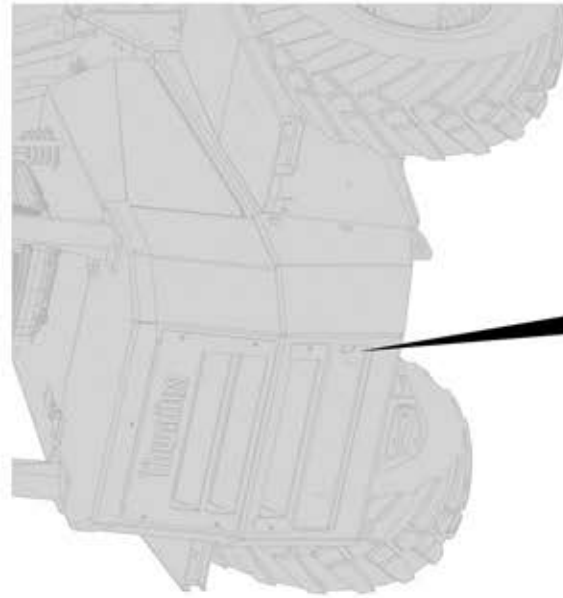


**LED BEACON**

Item	Part No.	Description
1		LED BEACON

Qty U/M  
1.0 EA



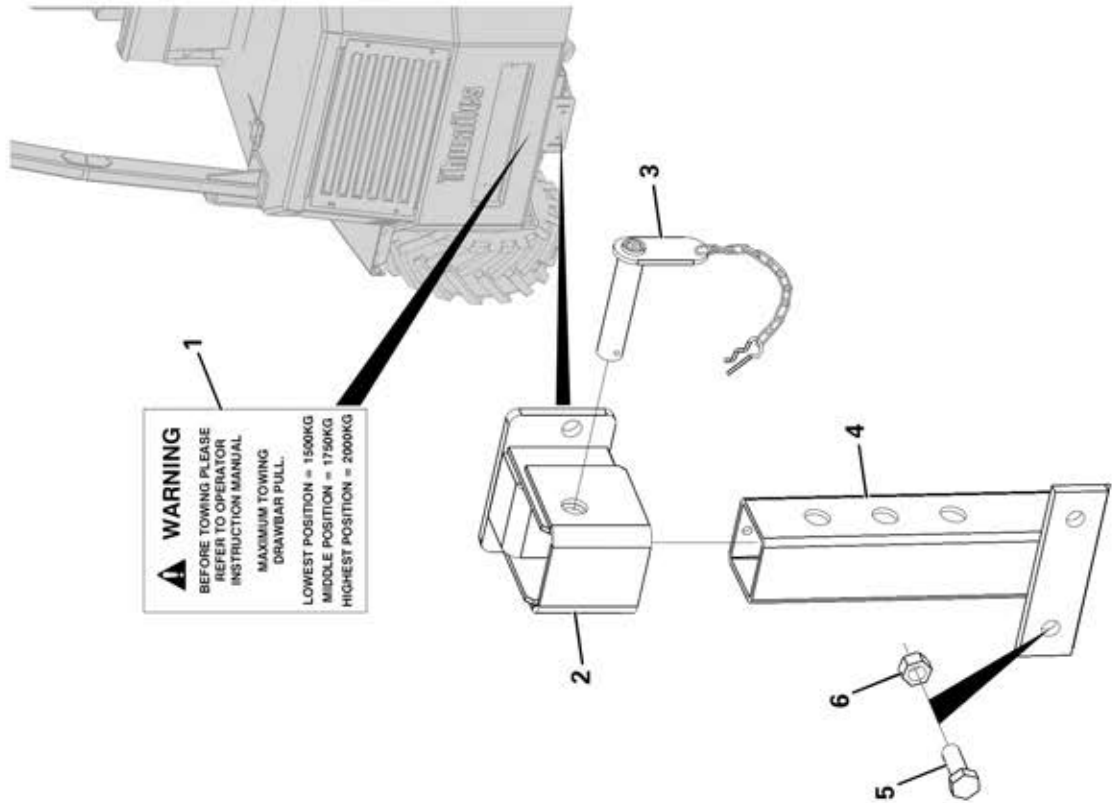


**TRAILER SOCKET**

Item	Part No.	Description	Qty	U/M
1		TRAILER SOCKET	1.0	EA
2		CAP HEAD SCREW	3.0	EA
3		WASHER	3.0	EA
4		NYLOC NUT	3.0	EA

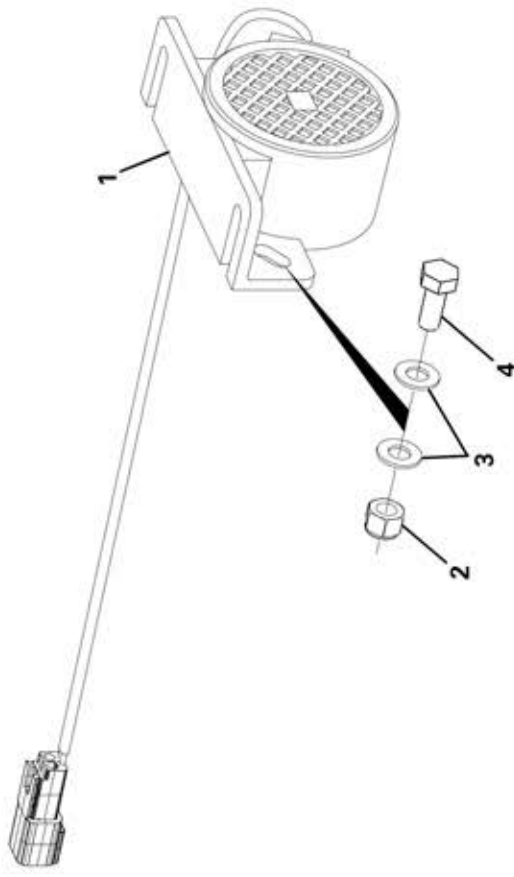
**ADJUSTABLE TOW BRACKET**

Item	Part No.	Description	Qty	U/M
1		ADJ TOW HITCH TRANSFER	1.0	EA
2		ADJ TOWING (FIXED) BRKT	1.0	EA
3		ADJ TOW BRKT RETAINING	1.0	EA
4		ADJ TOWING (MOVABLE) BRKT	1.0	EA
5		SET SCREW	2.0	EA
6		STOVER NUT	2.0	EA



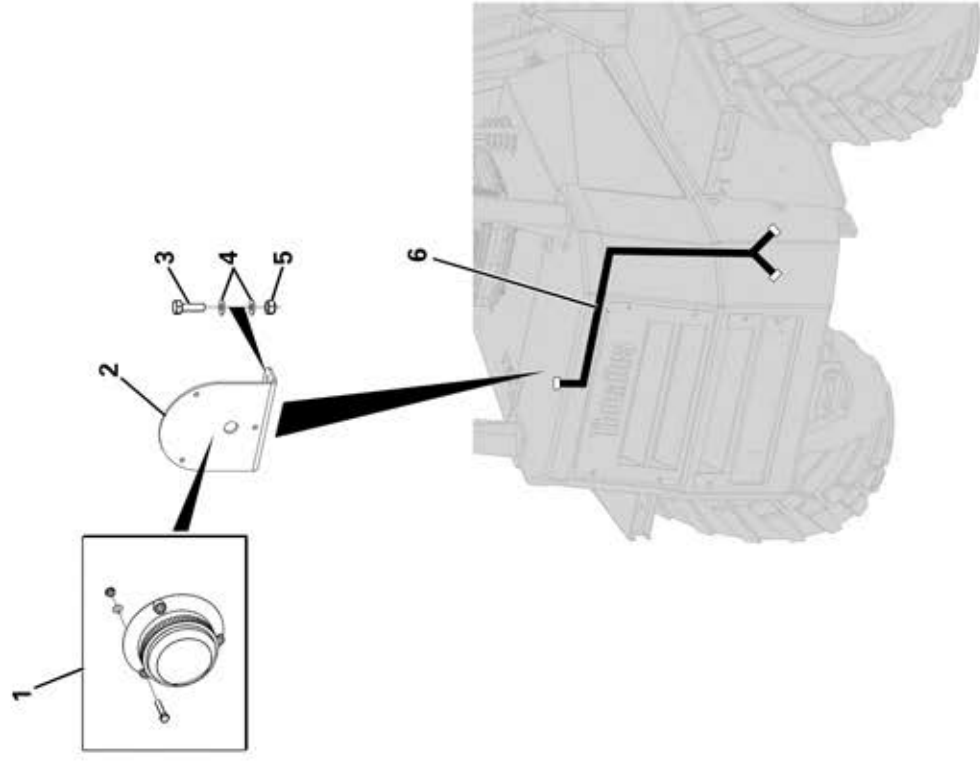
**BROADBAND SOUND REVERSE ALARM**

Item	Part No.	Description	Qty	U/M
1		BROADBAND SOUND REVERSE ALARM	1.0	EA
2		NYLOC NUT	2.0	EA
3		WASHER	4.0	EA
4		SET SCREW	2.0	EA



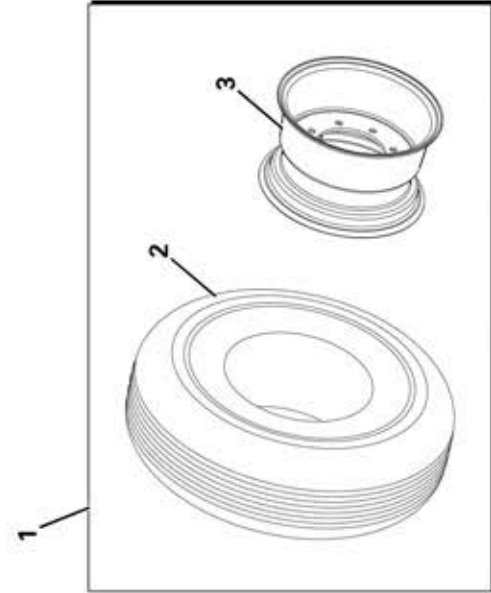
**REVERSING STROBE**

Item	Part No.	Description	Qty	U/M
1		REVERSING STROBE LIGHT - WHITE	1.0	EA
2		REVERSING LAMP MOUNTING PLATE	1.0	EA
3		BOLT	2.0	EA
4		WASHER	4.0	EA
5		NYLOC NUT	2.0	EA
6		REVERSING STROBE HARNESS	1.0	EA



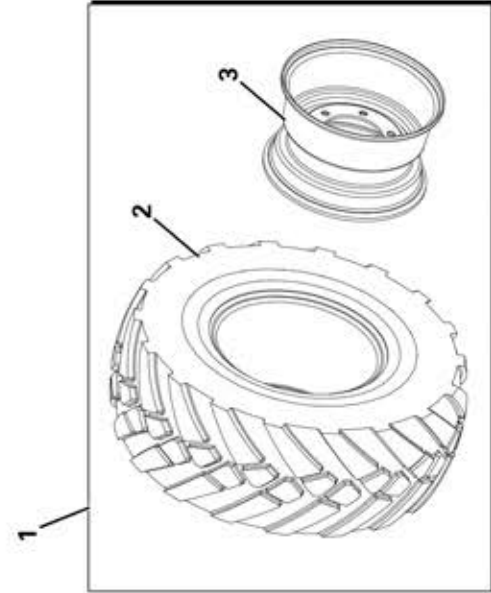
**SAND TYRES**

Item	Part No.	Description	Qty	U/M
1		WHEEL ASSEMBLY (SAND)	4.0	EA
2		SAND TYRE	1.0	EA
3		WHEEL RIM	1.0	EA



**MPT WHEEL & TYRE ASSEMBLY**

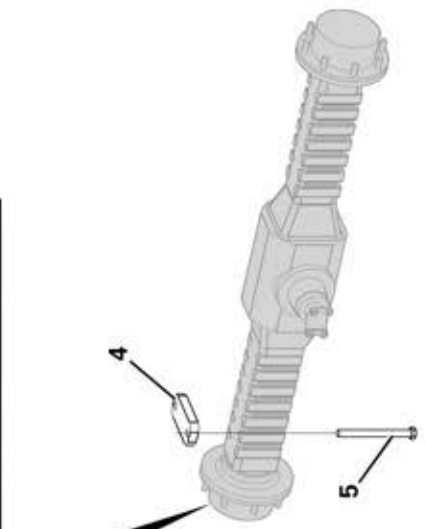
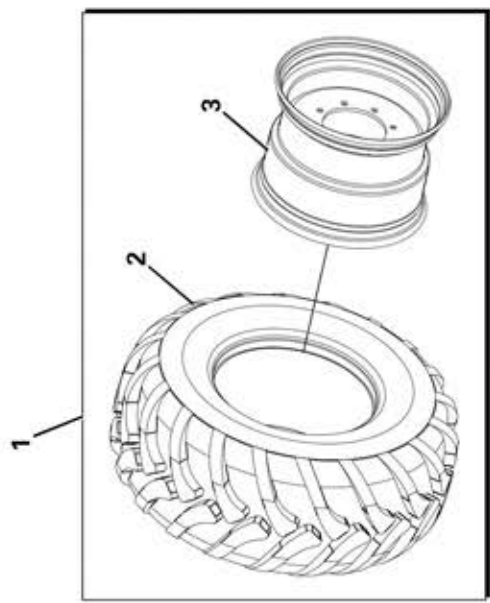
Item	Part No.	Description	Qty	U/M
1		WHEEL ASSEMBLY	4.0	EA
2		TYRE	1.0	EA
3		WHEEL RIM	1.0	EA





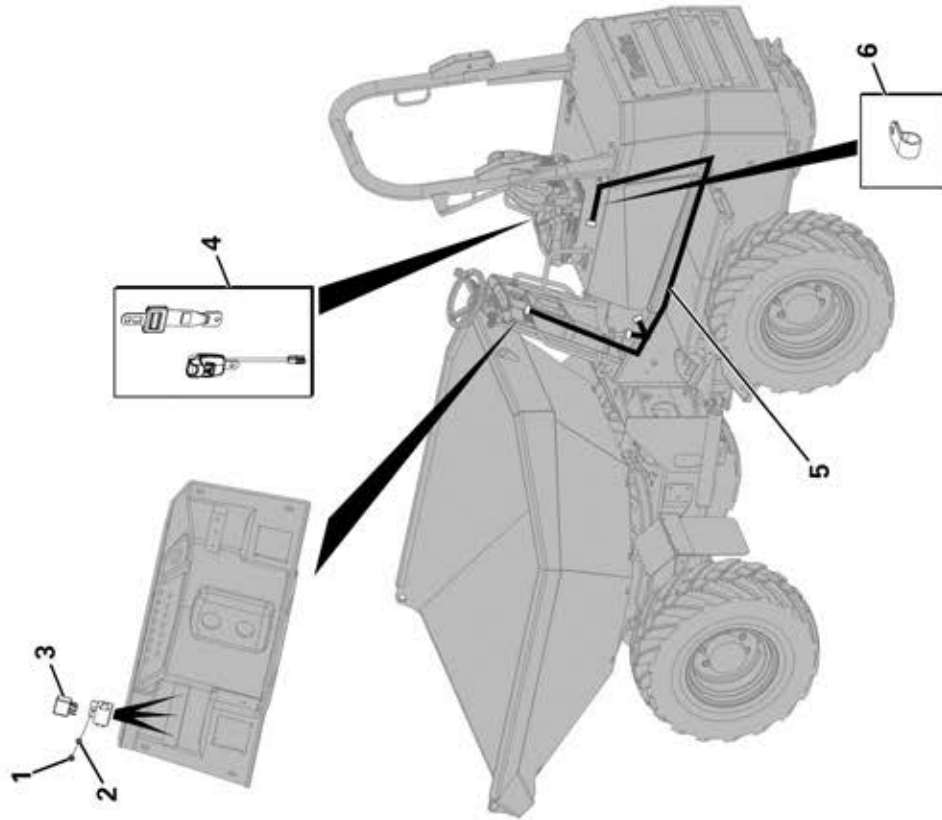
**WHEEL ASSEMBLY (HI FLOAT)**

Item	Part No.	Description	Qty	U/M
1		WHEEL ASSY HI-FLOAT	4.0	EA
2		TYRE	1.0	EA
3		WHEEL RIM	1.0	EA
4		CLAMP PLATE	4.0	EA
5		BOLT	8.0	EA



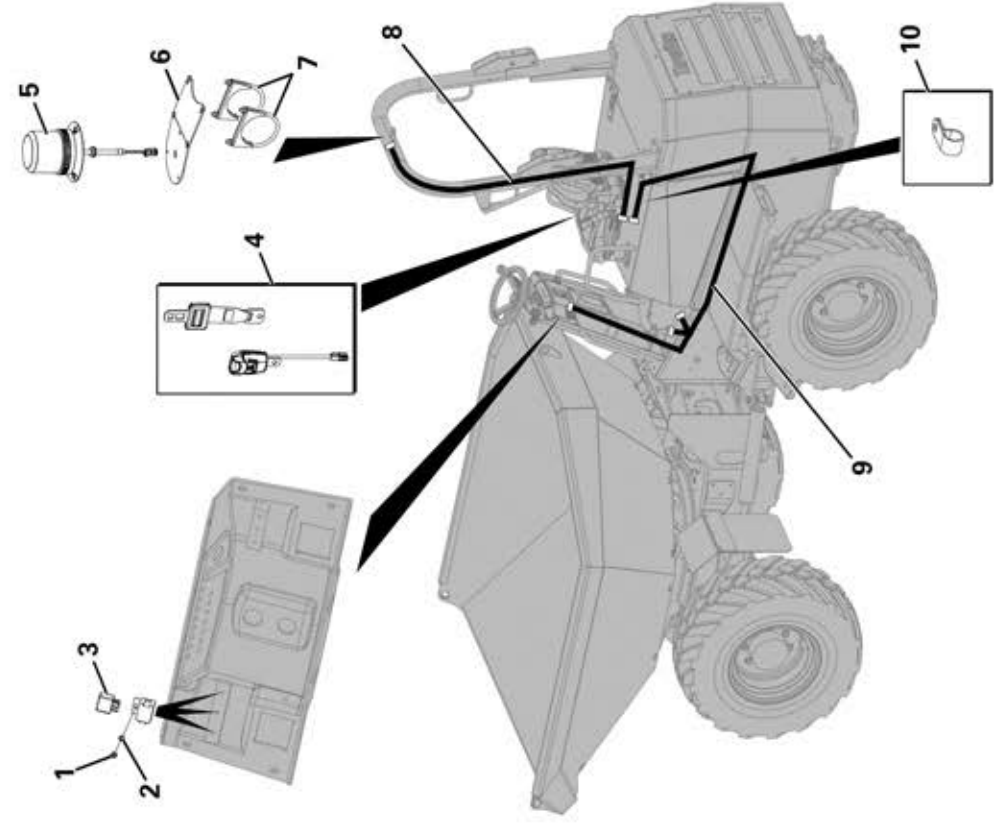
**SEATBELT MOTION INHIBIT**

Item	Part No.	Description	Qty	U/M
1		SCREW	3.0	EA
2		WASHER	3.0	EA
3		RELAY	2.0	EA
4		SEATBELT	1.0	EA
5		MOTION INHIBIT HARNESS - POWERSHUTTLE	1.0	EA
		MOTION INHIBIT HARNESS - POWERSHIFT	1.0	EA
6		P CLIP	1.0	EA



**GREEN BEACON MOTION INHIBIT**

Item	Part No.	Description	Qty	U/M
1		SCREW	3.0	EA
2		WASHER	3.0	EA
3		RELAY	3.0	EA
4		SEATBELT	1.0	EA
5		GREEN BEACON	1.0	EA
6		BEACON MOUNTING PLATE	1.0	EA
7		CLAMP	2.0	EA
8		GREEN BEACON HARNESS	1.0	EA
9		MOTION INHIBIT HARNESS - POWERSHUTTLE	1.0	EA
10		MOTION INHIBIT HARNESS - POWERSHIFT P CLIP	1.0	EA



**FAN GUARD**

Item	Part No.	Description	Qty	U/M
1		SET SCREW	10.0	EA
2		SPRING WASHER	10.0	EA
3		WASHER	10.0	EA
4		FAN GUARD RH	1.0	EA
5		FAN GUARD LH	1.0	EA
6		FAN GUARD TOP	1.0	EA

