

Thwaites

866 - 6 TONNE POWERSWIVEL

allparts



Thwaites
allparts

Thwaites Ltd
Leamington Spa
Warwickshire
CV32 7NQ
Tel +44 (0)1926 422471
Fax +44 (0)1926 450458
www.thwaitesdumpers.co.uk

FROM VIN No.

DATED

VIN No.

ENGINE BUILD No.

PAYLOAD

6 TONNE

SKIP

POWERSWIVEL

TRANSMISSION

POWERSHUTTLE

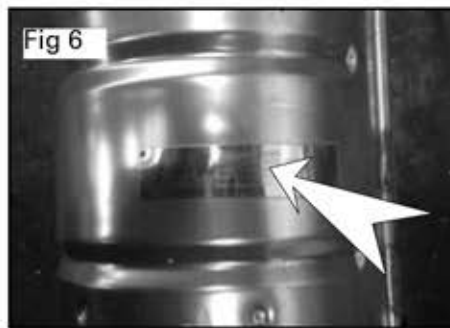
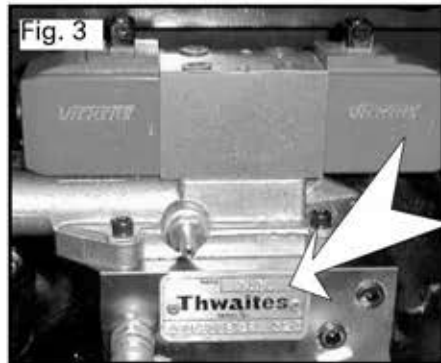
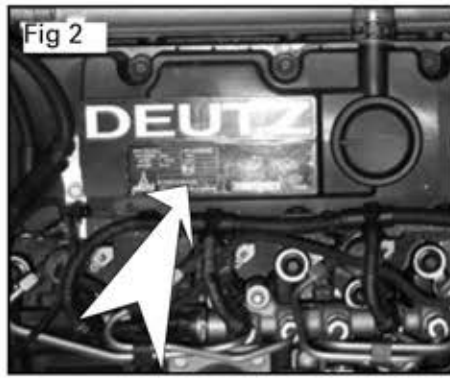
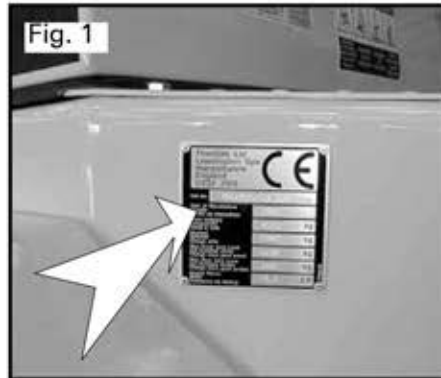
TYPE

MACH 866

PREFIX No.

04

MACHINE IDENTIFICATION



Serial Numbers

Please quote machine serial numbers when in communication with your Thwaites distributor.

Model Type (Fig 1.)

Vin N° (Fig 1.)

Engine Serial N° (Fig 2.)

Gearbox Serial N° (Fig 3.)

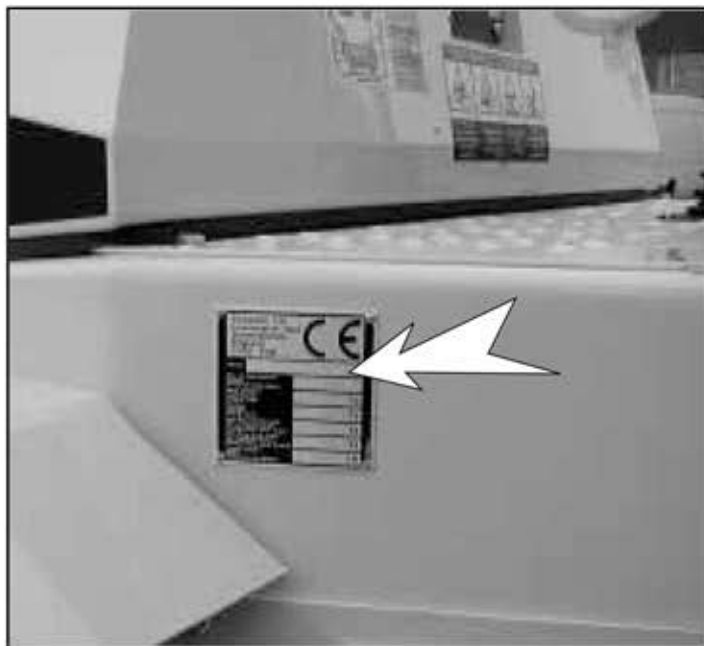
Axle Serial N° (Fig 4.)

Transfer Box Serial N° (Fig 5.)

Diesel Oxidation Catalytic or Diesel Particle Filter No (Fig 6.)

VEHICLE IDENTIFICATION NUMBER - (VIN)

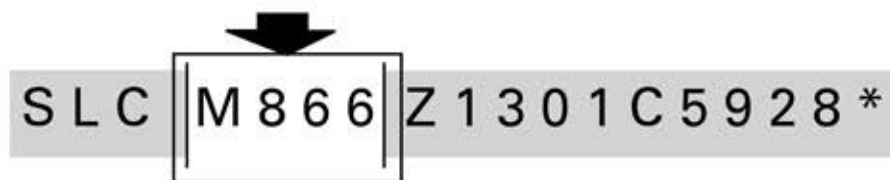
Thwaites have now adopted the international identification system known as VEHICLE IDENTIFICATION NUMBER normally referred to as VIN.



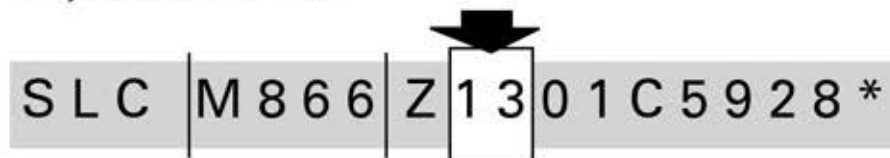
The VIN number incorporates a number of security features and also the machine model and individual serial number.

Important note: *Do not use this parts manual to order replacement spares if the prefix level of your machine is higher than the number quoted at the front of this parts manual.*

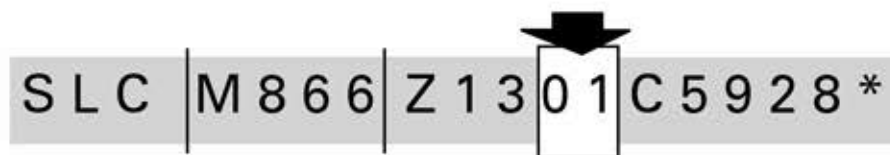
When ordering replacement spares it is important that the model or MACH number is used to identify the correct parts manual.



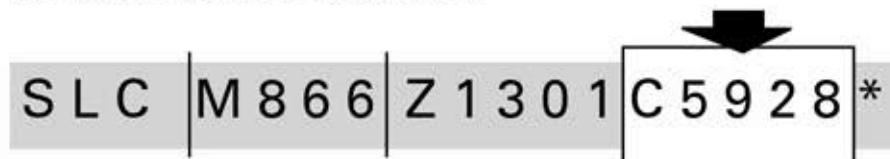
The year of manufacture:



The Machine Parts Manual issue level denoted by the two digit Prefix Number:



The unique machine serial number:



Please ensure that these numbers are quoted in all correspondence with your Thwaites distributor.

CONTENTS

*DENOTES MODIFICATION - SEE MODIFICATION & ADDITIONS PAGES

SECTION TITLE	PAGE No.
REAR COVER ASSEMBLY	1
REAR CHASSIS ASSEMBLY	2
SEAT ASSEMBLY	3
CONTROL MOUNTING BRACE ASSEMBLY	4
ENGINE COVER ASSEMBLY	5
SKIP & SUB CHASSIS ASSEMBLY	6
FRONT CHASSIS ASSEMBLY	8
KINGLINK ASSEMBLY	9
DUMP PEDAL ASSEMBLY	10
BRAKE PEDAL ASSEMBLY	11
BRAKE CIRCUIT	12
LEG GUARD ASSEMBLY	13
THROTTLE PEDAL ASSEMBLY	14
BATTERY BOX ASSEMBLY	15
VEHICLE HARNESS	16
FUSE BOX	18
DASH PANEL ASSEMBLY	19
STEERING ASSEMBLY	20
TIPPING VALVE	21
HYDRAULIC TANK ASSEMBLY	23
HYDRAULIC CIRCUIT	24
TIPPING RAM ASSEMBLY	25
STEERING RAM ASSEMBLY	26
SLEW RAM ASSEMBLY	27
TRANSMISSION DRIVE & HYDRAULIC PUMP	28
TRANSMISSION - GEAR CHANGE	29
TRANSMISSION - EXTERNAL	30

CONTENTS

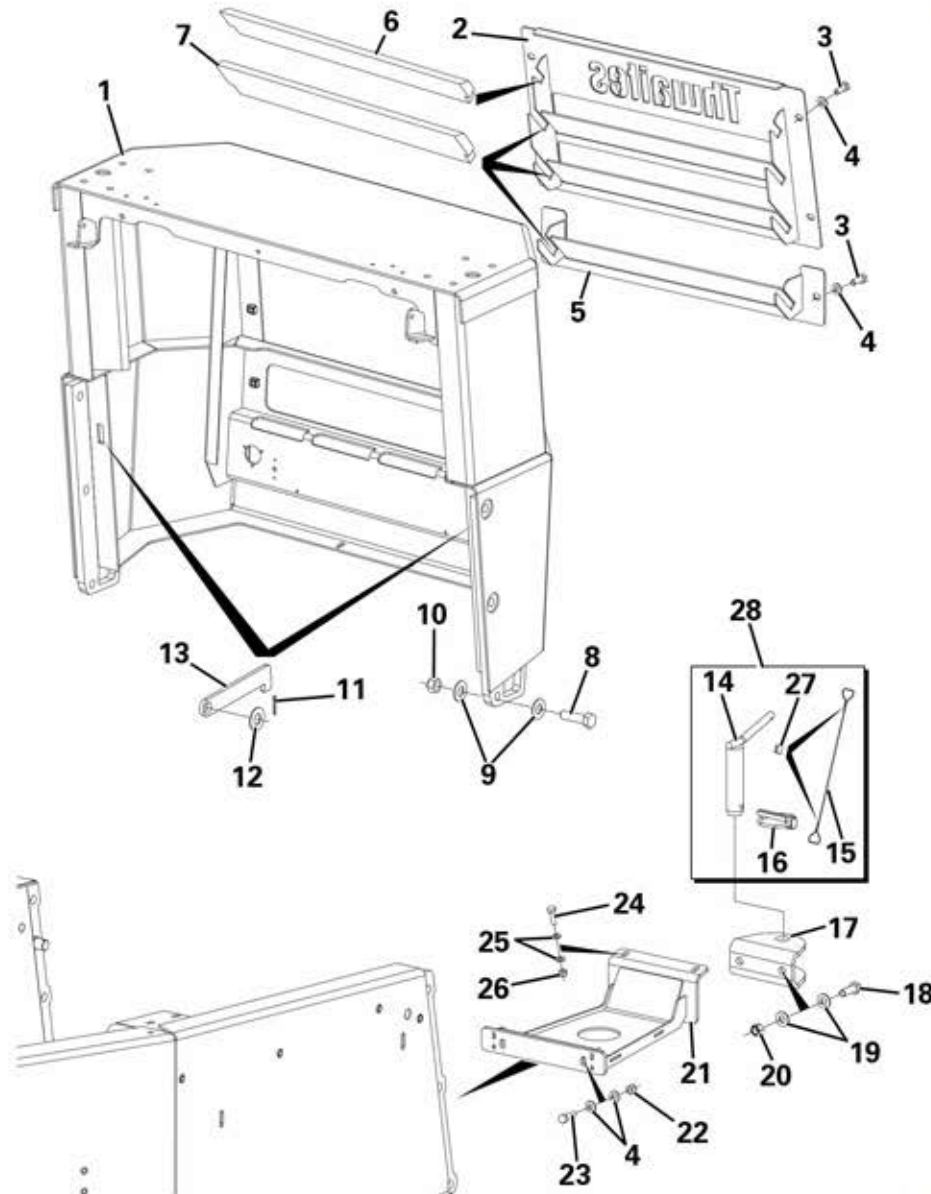
*DENOTES MODIFICATION - SEE MODIFICATION & ADDITIONS PAGES

SECTION TITLE	PAGE No.
TRANSMISSION - INTERNAL	31
TRANSMISSION - REVERSE UNIT	33
ENGINE AND GEARBOX MOUNTINGS	34
ENGINE & ACCESSORIES	35
EXHAUST SYSTEM - DOC	37
RADIATOR ASSEMBLY	38
RADIATOR SEALS AND FIXINGS	40
RADIATOR HOSES	41
AIR CLEANER ASSEMBLY	42
FUEL TANK ASSEMBLY	43
TRANSFER BOX ASSEMBLY	45
HANDBRAKE ASSEMBLY	46
PROPSHAFTS	48
WHEEL & TYRE ASSEMBLY	49
ROPS FRAME ASSEMBLY	50
AXLE & HUB REDUCTION	51
AXLE - CENTRAL HOUSING	52
AXLE - DIFFERENTIAL	53
AXLE - BRAKES	54
ROAD LIGHTS	55
ROPS/FOPS CANOPY FRAME	57
ROAD EQUIPMENT KIT	58
ROAD MIRRORS	59
XENON BEACON	60
LED BEACON	61
TRAILER SOCKET	62
ADJUSTABLE TOW BRACKET	63

CONTENTS

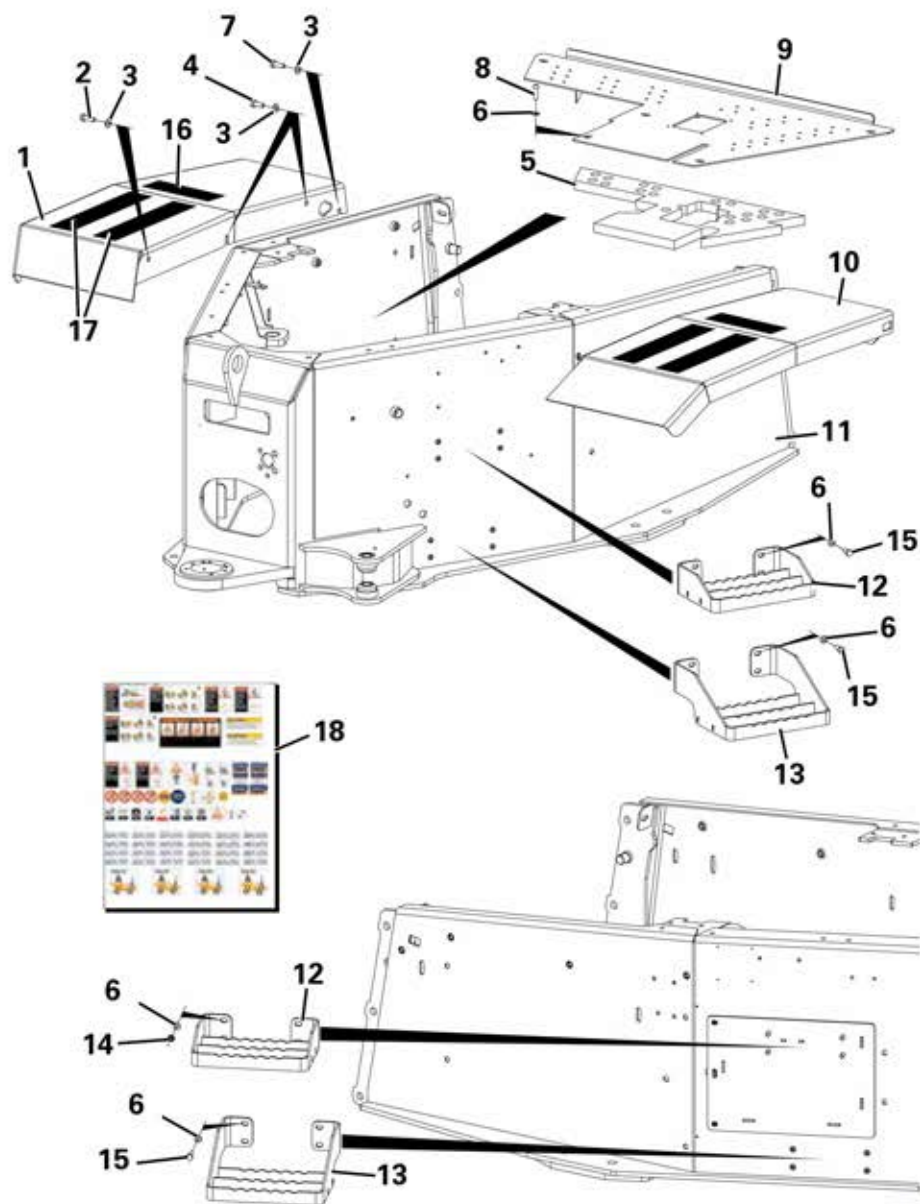
*DENOTES MODIFICATION - SEE MODIFICATION & ADDITIONS PAGES

SECTION TITLE	PAGE No.
BROADBAND SOUND REVERSE ALARM	64
REVERSING STROBE	65
SAND TYRES	66
MPT WHEEL & TYRE ASSEMBLY	67
SEATBELT MOTION INHIBIT	68
GREEN BEACON MOTION INHIBIT	69
FAN GUARD	70
MODIFIED AND ADDITIONAL PARTS	71



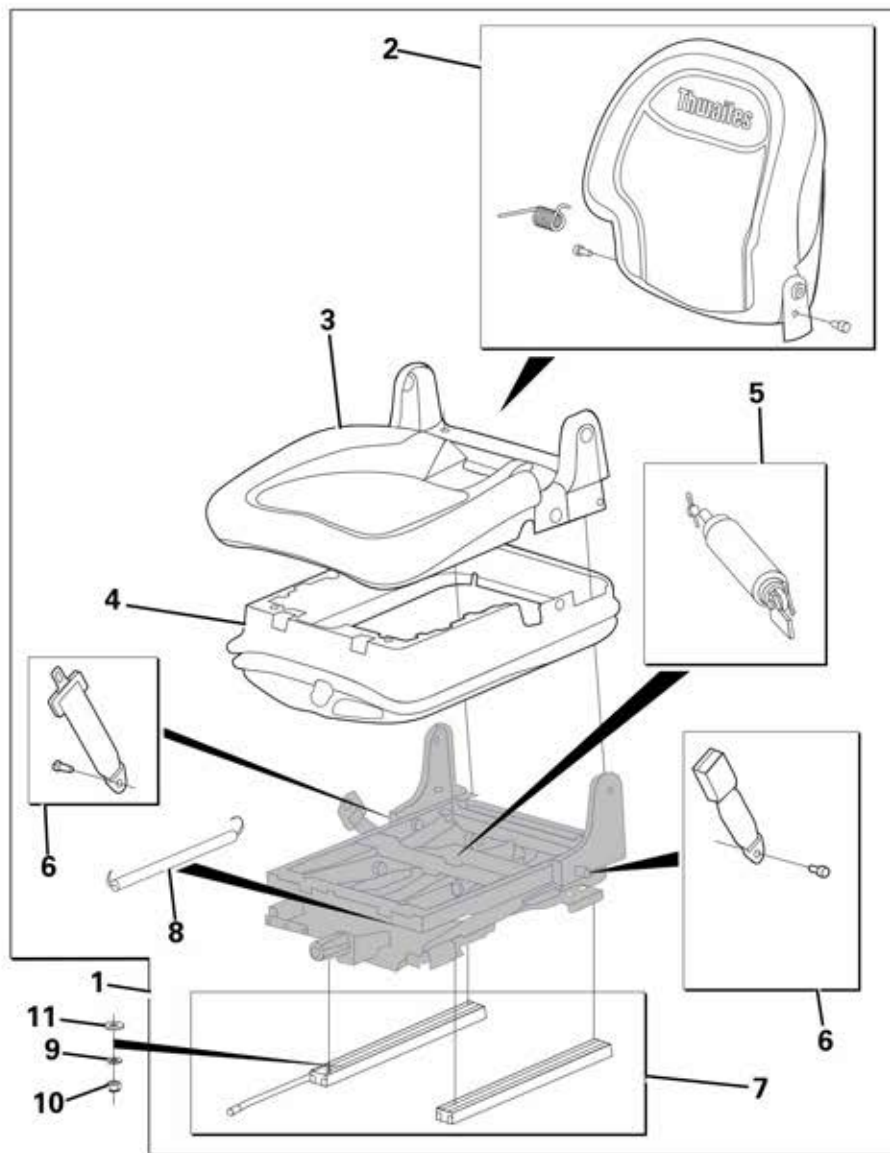
REAR COVER ASSEMBLY

Item	Part No.	Description	Qty	U/M
1		REAR COVER	1.0	EA
2		UPPER REAR GRILLE	1.0	EA
3		SET SCREW	6.0	EA
4		HEAVY DUTY WASHER	10.0	EA
5		REAR GRILLE (LOWER)	1.0	EA
6		SOUND PROOFING PANEL (SMALL)	1.0	EA
7		SOUND PROOFING PANEL (LARGE)	3.0	EA
8		BOLT	6.0	EA
9		HEAVY DUTY WASHER	12.0	EA
10		STOVER NUT	6.0	EA
11		SPLIT PIN	2.0	EA
12		WASHER	2.0	EA
13		STRAP RETAINER	2.0	EA
14		TOWING PIN	1.0	EA
15		TOWING PIN RETAINING CABLE	1.0	EA
16		LINCH PIN	1.0	EA
17		TOWING JAW	1.0	EA
18		SET SCREW	2.0	EA
19		WASHER	4.0	EA
20		PHILIDAS NUT	2.0	EA
21		TOW BAR BRACKET	1.0	EA
22		PHILIDAS NUT	2.0	EA
23		SET SCREW	2.0	EA
24		SET SCREW	2.0	EA
25		HEAVY DUTY WASHER	4.0	EA
26		PHILIDAS NUT	2.0	EA
27		COPPER SLEEVE	2.0	EA
28		TOWING PIN ASSY	1.0	EA



REAR CHASSIS ASSEMBLY

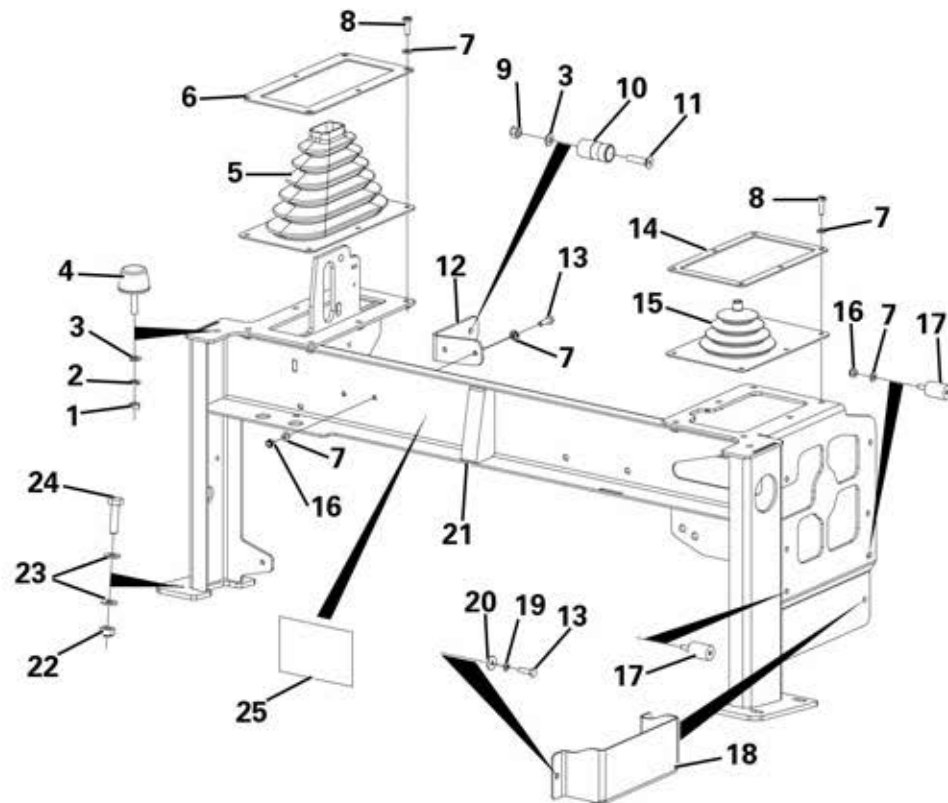
Item	Part No.	Description	Qty	U/M
1		REAR MUDGUARD R/H	1.0	EA
2		SET SCREW	2.0	EA
3		HEAVY DUTY WASHER	8.0	EA
4		SET SCREW	4.0	EA
5		SOUND INSULATION (FLOORPLATE)	1.0	EA
6		HEAVY DUTY WASHER	21.0	EA
7		SET SCREW	2.0	EA
8		SOCKET DOME HEAD SCREW	5.0	EA
9		FLOORPLATE SHUTTLE	1.0	EA
10		REAR MUDGUARD L/H	1.0	EA
11		REAR CHASSIS	1.0	EA
12		STEP (UPPER)	2.0	EA
13		STEP (LOWER)	2.0	EA
14		PHILIDAS NUT	4.0	EA
15		SET SCREW	12.0	EA
16		ANTI SLIP MAT	2.0	EA
17		ANTI SLIP MAT	4.0	EA
18		SAFETY DECALS-(UK)	1.0	EA
		SAFETY DECALS-(CON)	1.0	EA



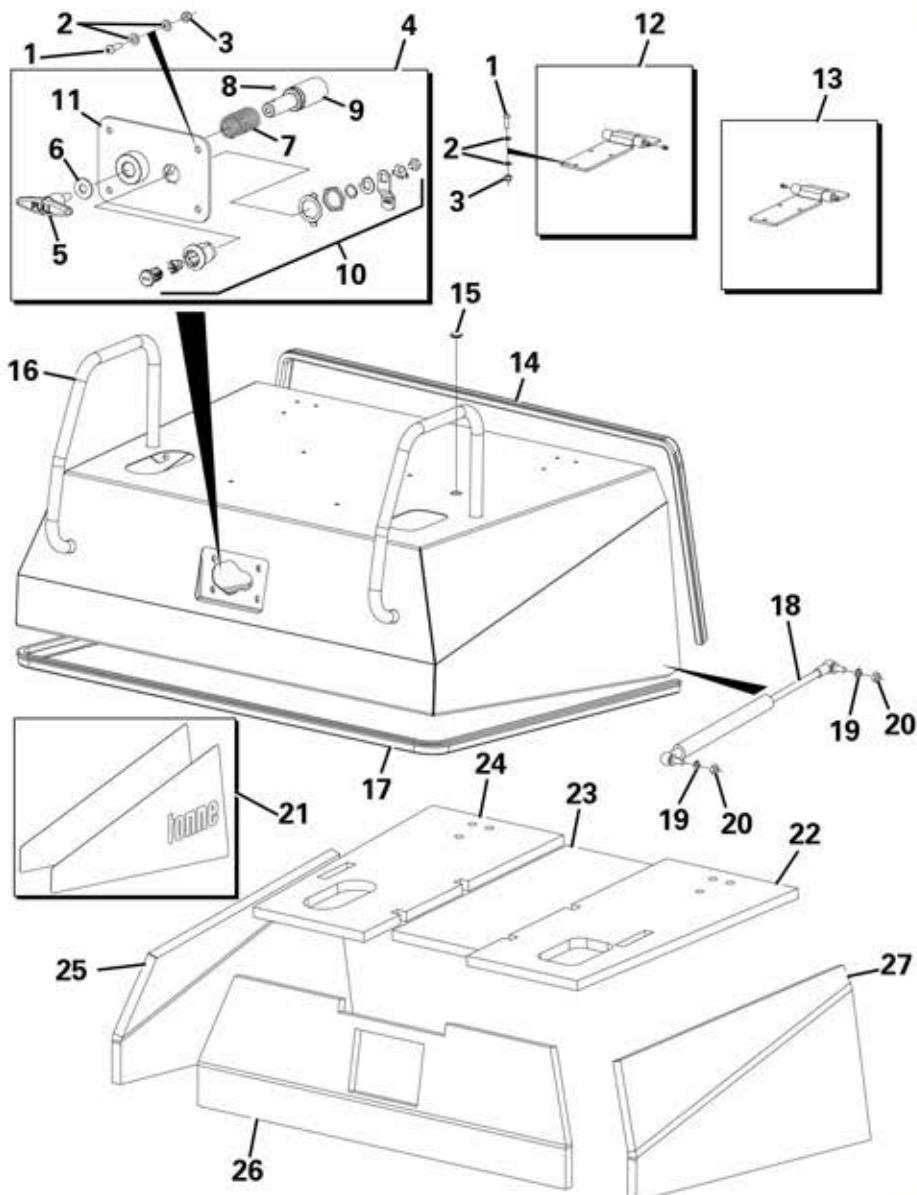
SEAT ASSEMBLY

Item	Part No.	Description	Qty	U/M
1		SEAT	1.0	EA
2		BACK CUSHION KIT	1.0	EA
3		SEAT CUSHION KIT	1.0	EA
4		BOOT	1.0	EA
5		DAMPER KIT	1.0	EA
6		SEATBELT KIT	1.0	EA
7		SLIDE RAIL ADJUSTER KIT	1.0	EA
8		TRANSFER ROD	1.0	EA
9		PLAIN WASHER	4.0	EA
10		NYLOC NUT	4.0	EA
11		HEAVY DUTY WASHER	4.0	EA

CONTROL MTG BRACE ASSEMBLY

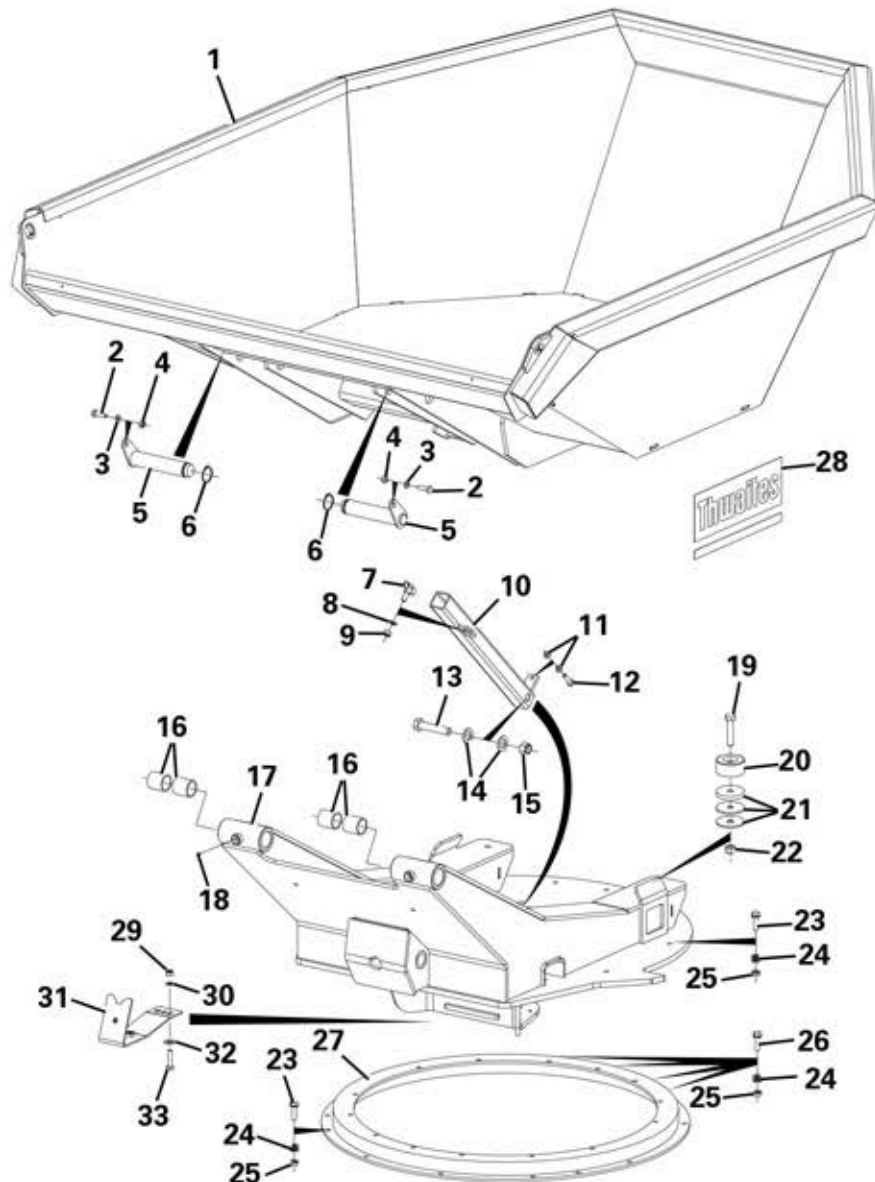


Item	Part No.	Description	Qty	U/M
1		NUT	2.0	EA
2		SPRING WASHER	2.0	EA
3		WASHER	3.0	EA
4		RUBBER BUFFER	2.0	EA
5		GAITER	1.0	EA
6		GAITER RETAINING PLATE	1.0	EA
7		WASHER	17.0	EA
8		PAN HEAD SCREW	12.0	EA
9		NYLOC NUT	1.0	EA
10		BEACON POST	1.0	EA
11		SOCKET C/SUNK HD SCREW	1.0	EA
12		BEACON STORAGE BRACKET	1.0	EA
13		SET SCREW	4.0	EA
14		TIPPING GAITER RETAINING PLATE	1.0	EA
15		TIPPING LEVER GAITER	1.0	EA
16		NYLOC NUT	3.0	EA
17		BOBBIN	4.0	EA
18		ECU SPLASH GUARD	1.0	EA
19		SPRING WASHER	2.0	EA
20		HEAVY DUTY WASHER	2.0	EA
21		CROSS BRACE	1.0	EA
22		PHILIDAS NUT	4.0	EA
23		HEAVY DUTY WASHER	8.0	EA
24		BOLT	4.0	EA
25		MAINTENANCE DECAL	1.0	EA



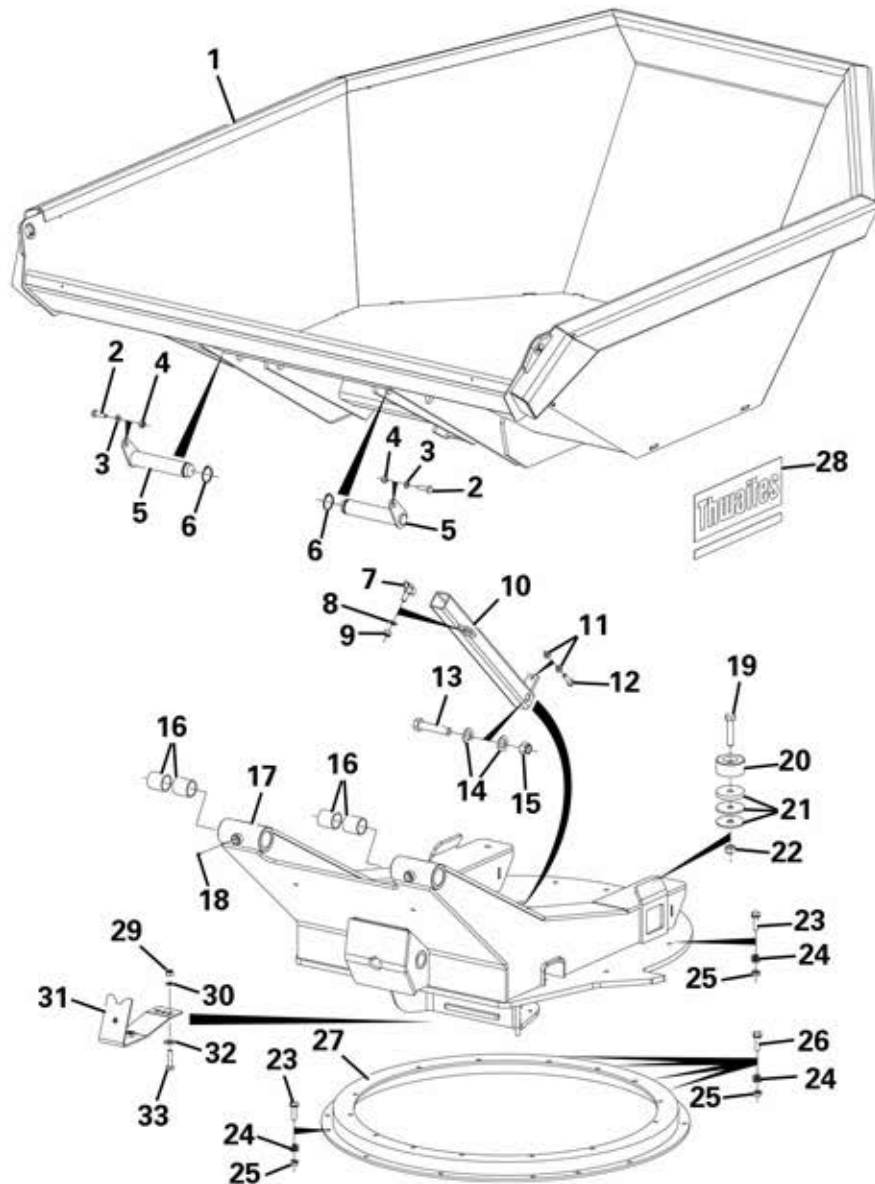
ENGINE COVER ASSEMBLY

Item	Part No.	Description	Qty	U/M
	1	SOCKET DOME HEAD SCREW	16.0	EA
	2	WASHER	32.0	EA
	3	NYLOC NUT	16.0	EA
	* 4	LOCK ASSY	1.0	EA
	5	RENCOL HANDLE	1.0	EA
	6	HEAVY DUTY WASHER	1.0	EA
	7	SPRING	1.0	EA
	8	GRUB SCREW	1.0	EA
	* 9	LOCK PLUNGER	1.0	EA
	* 10	COMPARTMENT LOCK	1.0	EA
	* 11	WELDED LOCK ASSY	1.0	EA
	12	HINGE RH (CW GREASE NIPPLE)	1.0	EA
	13	HINGE LH (CW GREASE NIPPLE)	1.0	EA
	14	SEAL	1.0	EA
	15	BLANKING GROMMET	1.0	EA
	16	ENGINE BONNET	1.0	EA
	17	BONNET SEAL	1.0	EA
	18	GAS STRUT	2.0	EA
	19	SPRING WASHER	4.0	EA
	20	NUT	4.0	EA
	21	ENGINE COVER DECALS 5T	1.0	EA
		ENGINE COVER DECALS 6T	1.0	EA
		ENGINE COVER DECALS 9T	1.0	EA
	22	SOUND INSULATION (TOP LH)	1.0	EA
	23	SOUND INSULATION (TOP CENTRE)	1.0	EA
	24	SOUND INSULATION (TOP RH)	1.0	EA
	25	SOUND INSULATION (RH)	1.0	EA
	26	SOUND INSULATION (FRONT)	1.0	EA
	27	SOUND INSULATION (LH)	1.0	EA



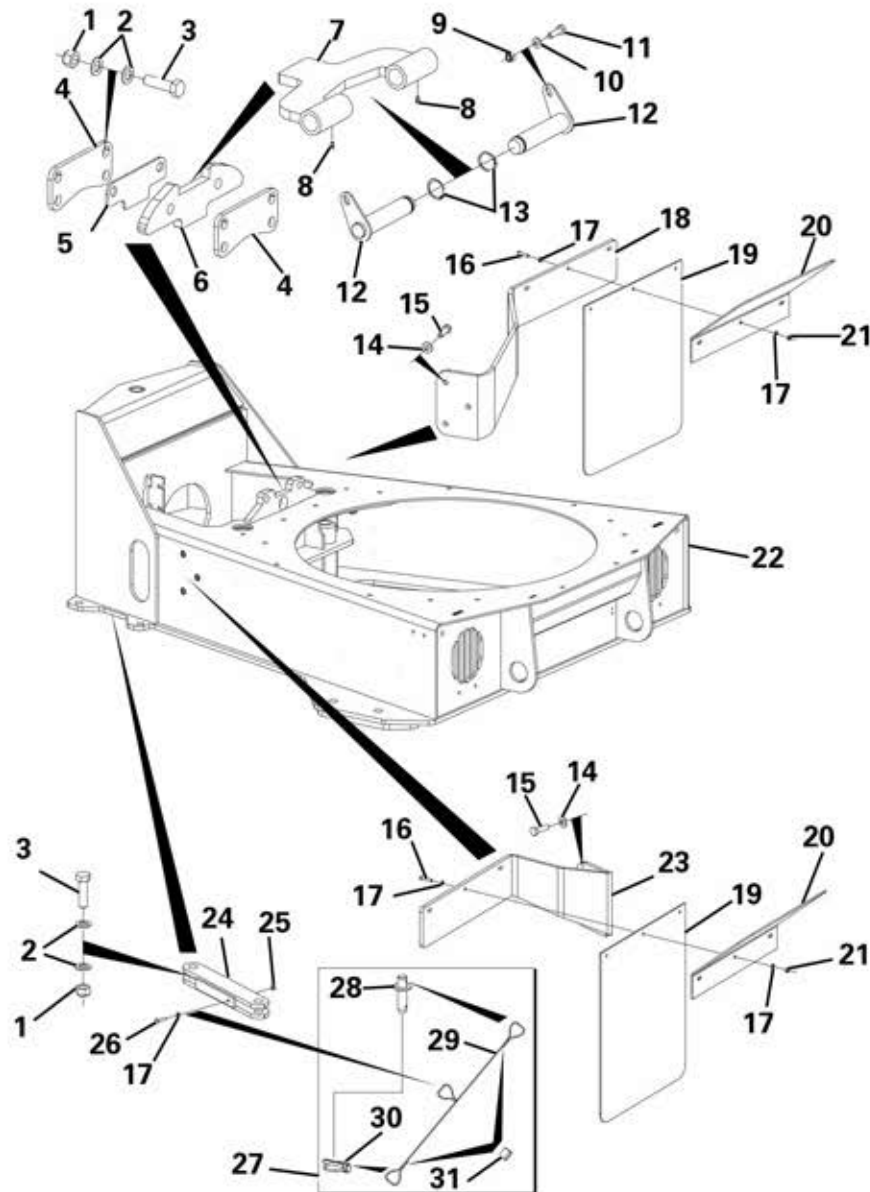
SKIP & SUB CHASSIS ASSEMBLY

Item	Part No.	Description	Qty	U/M
1		SKIP	1.0	EA
2		SET SCREW	2.0	EA
3		HEAVY DUTY WASHER	2.0	EA
4		PHILIDAS NUT	2.0	EA
5		SKIP PIVOT PIN	2.0	EA
6		CIRCLIP	2.0	EA
7		ANTI-LUCE FITTING	1.0	EA
8		WASHER	1.0	EA
9		PHILIDAS NUT	1.0	EA
10		SKIP PROP ASSY	1.0	EA
11		NUT	2.0	EA
12		BOLT	1.0	EA
13		BOLT	1.0	EA
14		WASHER	2.0	EA
15		STOVER NUT	1.0	EA
16		BUSH	4.0	EA
17		SUB-CHASSIS	1.0	EA
18		GREASE NIPPLE	2.0	EA
19		SET SCREW	2.0	EA
20		SKIP PAD	2.0	EA
21		SKIP PAD SPACER 3mm	A/R	EA
		SKIP PAD SPACER 5mm	A/R	EA
		SKIP PAD SPACER 10mm	A/R	EA



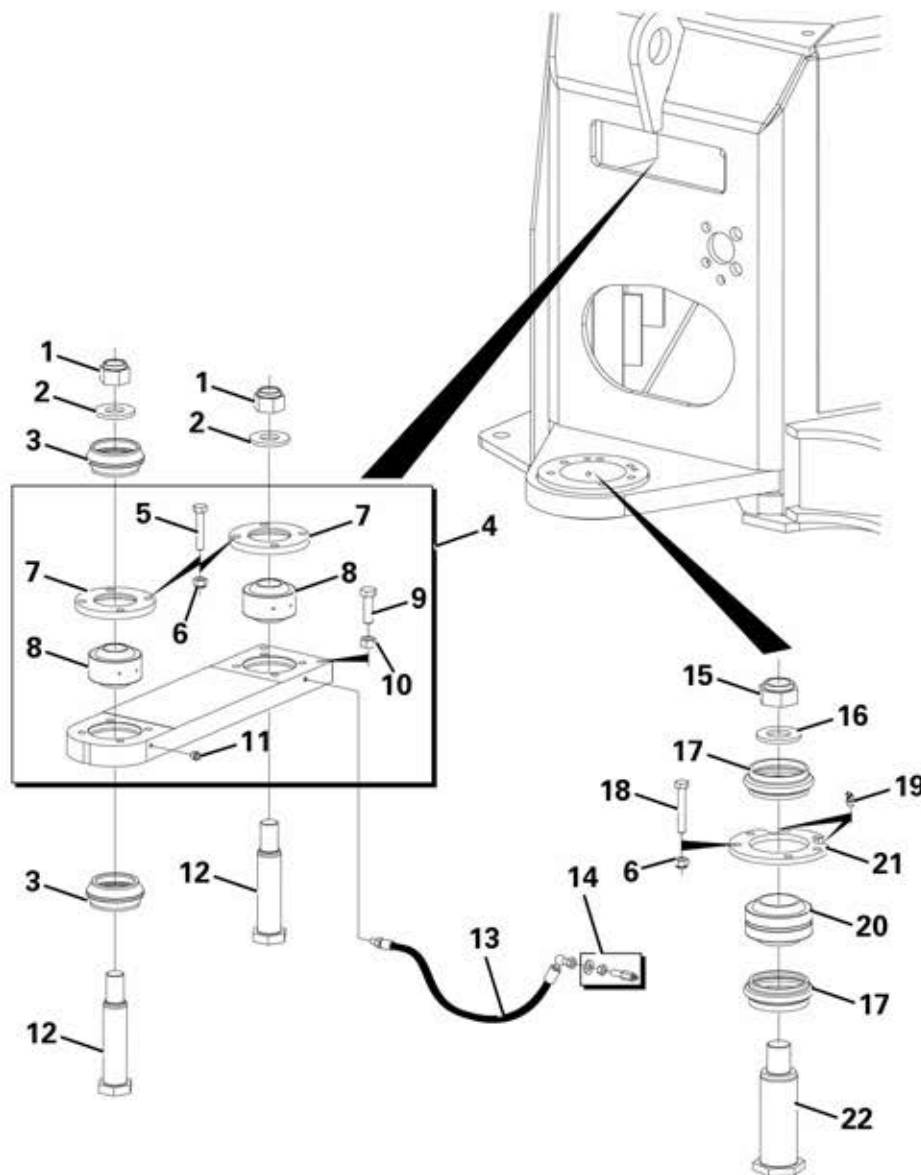
SKIP & SUB CHASSIS ASSEMBLY

Item	Part No.	Description	Qty	U/M
	22	PHILIDAS NUT	2.0	EA
	23	DURLOCK BOLT	24.0	EA
	24	.003 SHIM	A/R	EA
		.005 SHIM	A/R	EA
		.010 SHIM	A/R	EA
		.020 SHIM	A/R	EA
		.030 SHIM	A/R	EA
	25	DURLOCK NUT	28.0	EA
	26	DURLOCK BOLT	4.0	EA
	27	SLEW RING	1.0	EA
	28	RECTANGULAR SKIP DECAL	2.0	EA
	*29	STOVER NUT	2.0	EA
	*30	WASHER	2.0	EA
	*31	HOSE CLAMP BRACKET	1.0	EA
	*32	HEAVY DUTY WASHER	2.0	EA
	*33	BOLT	2.0	EA



FRONT CHASSIS ASSEMBLY

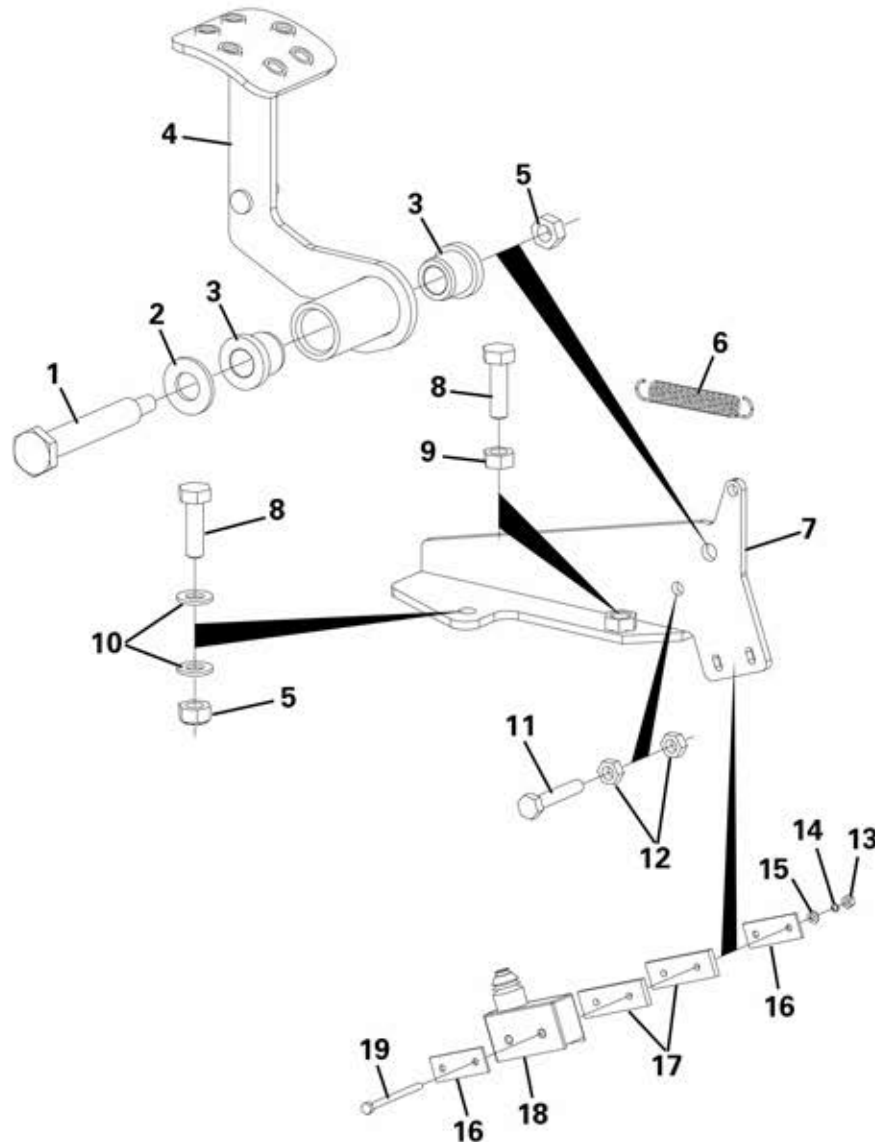
Item	Part No.	Description	Qty	U/M
1		STOVER NUT	5.0	EA
2		WASHER	10.0	EA
3		BOLT	5.0	EA
4		CLAMP PLATE	2.0	EA
5		LATCH PLATE SPACER	1.0	EA
6		CAM PLATE	1.0	EA
7		LATCH PLATE ASSY	1.0	EA
8		GREASE NIPPLE	2.0	EA
9		PHILIDAS NUT	2.0	EA
10		HEAVY DUTY WASHER	2.0	EA
11		SET SCREW	2.0	EA
12		PIVOT PIN	2.0	EA
13		CIRCLIP	2.0	EA
14		HEAVY DUTY WASHER	6.0	EA
15		SET SCREW	6.0	EA
16		SOCKET DOME HEAD SCREW	6.0	EA
17		HEAVY DUTY WASHER	13.0	EA
18		MUDFLAP SUPPORT BRKT L/H	1.0	EA
19		MUDFLAP RUBBER	2.0	EA
20		MUDGUARD	2.0	EA
21		PHILIDAS NUT	6.0	EA
22		FRONT CHASSIS	1.0	EA
23		MUDFLAP SUPPORT BRKT R/H	1.0	EA
24		CHASSIS LOCK BAR	1.0	EA
25		NYLOC NUT	1.0	EA
26		SET SCREW	1.0	EA
27		CHASSIS LOCK PIN ASSY	1.0	EA
28		CHASSIS LOCK PIN	1.0	EA
29		PIN RETAINING CABLE	1.0	EA
30		LYNCH PIN	1.0	EA
31		COPPER SLEEVE	2.0	EA



KINGLINK ASSEMBLY

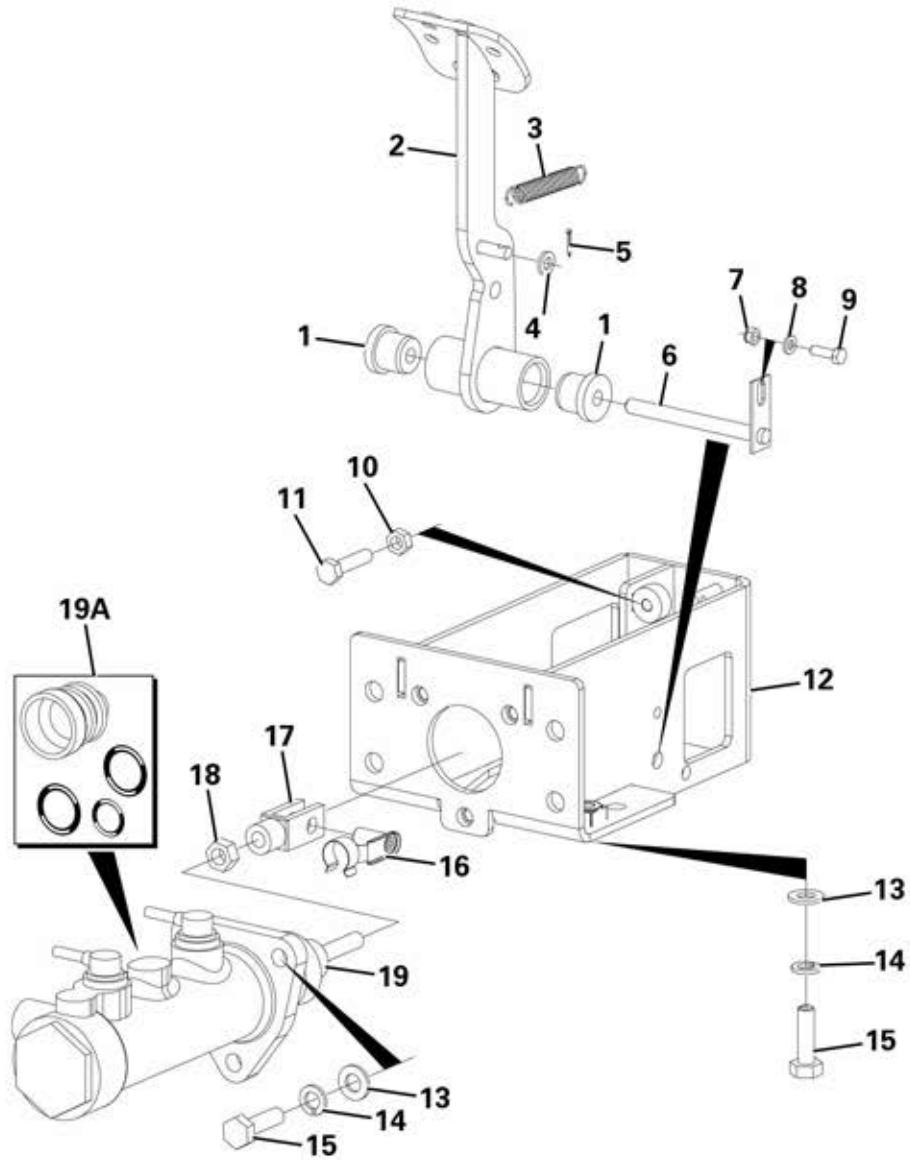
Item	Part No.	Description	Qty	U/M
1		LOCKNUT	2.0	EA
2		HEAVY DUTY WASHER	2.0	EA
3		RUBBER DUST SEAL	2.0	EA
4		KINGLINK ASSEMBLY	1.0	EA
5		BOLT	8.0	EA
6		NYLOC NUT	14.0	EA
7		BEARING CAP	2.0	EA
8		SPHERICAL BEARING	2.0	EA
9		SET SCREW	2.0	EA
10		NUT	2.0	EA
11		GREASE NIPPLE	1.0	EA
12		TOP PIVOT BOLT	2.0	EA
13		GREASE PIPE	1.0	EA
14		GREASE NIPPLE ASSEMBLY	1.0	EA
15		PHILIDAS NUT	1.0	EA
16		WASHER	1.0	EA
17		DUST SEAL	2.0	EA
18		BOLT	6.0	EA
19		GREASE NIPPLE	2.0	EA
20		SPHERICAL PLAIN BEARING	1.0	EA
21		BEARING CAP	1.0	EA
22		BOTTOM PIVOT BOLT	1.0	EA

DUMP PEDAL ASSEMBLY

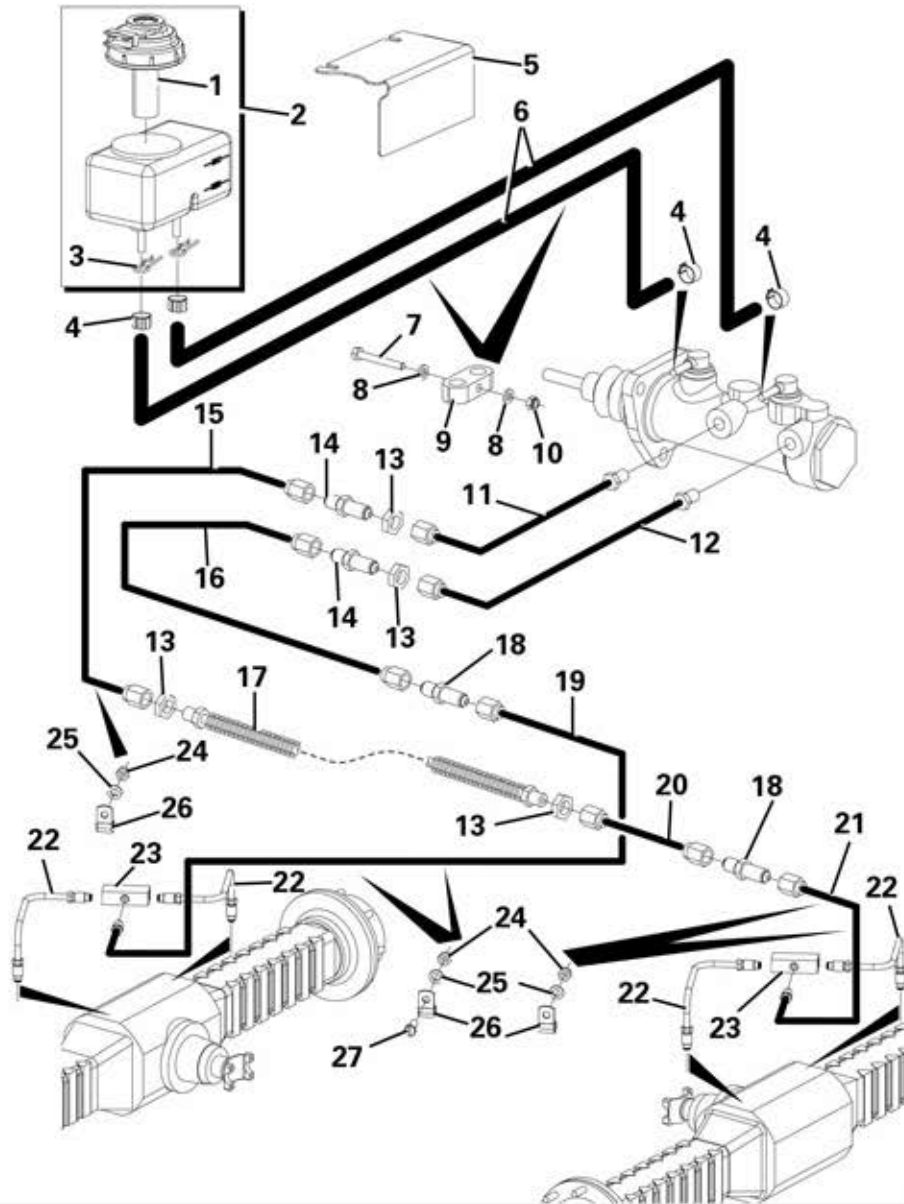


Item	Part No.	Description	Qty	U/M
1		PIVOT SHAFT	1.0	EA
2		WASHER	1.0	EA
3		BUSH	2.0	EA
4		DUMP VALVE PEDAL	1.0	EA
5		PHILIDAS NUT	3.0	EA
6		DUMP PEDAL SPRING	1.0	EA
7		DUMP PEDAL MTG BRKT	1.0	EA
8		SET SCREW	3.0	EA
9		NUT	1.0	EA
10		WASHER	4.0	EA
11		BOLT	1.0	EA
12		NUT	2.0	EA
13		NUT	2.0	EA
14		SPRING WASHER	2.0	EA
15		WASHER	2.0	EA
16		MICRO SWITCH BACKING PLATE	2.0	EA
17		MICROSWITCH SPACER	2.0	EA
18		MICRO SWITCH	1.0	EA
19		SET SCREW	2.0	EA

BRAKE PEDAL ASSEMBLY

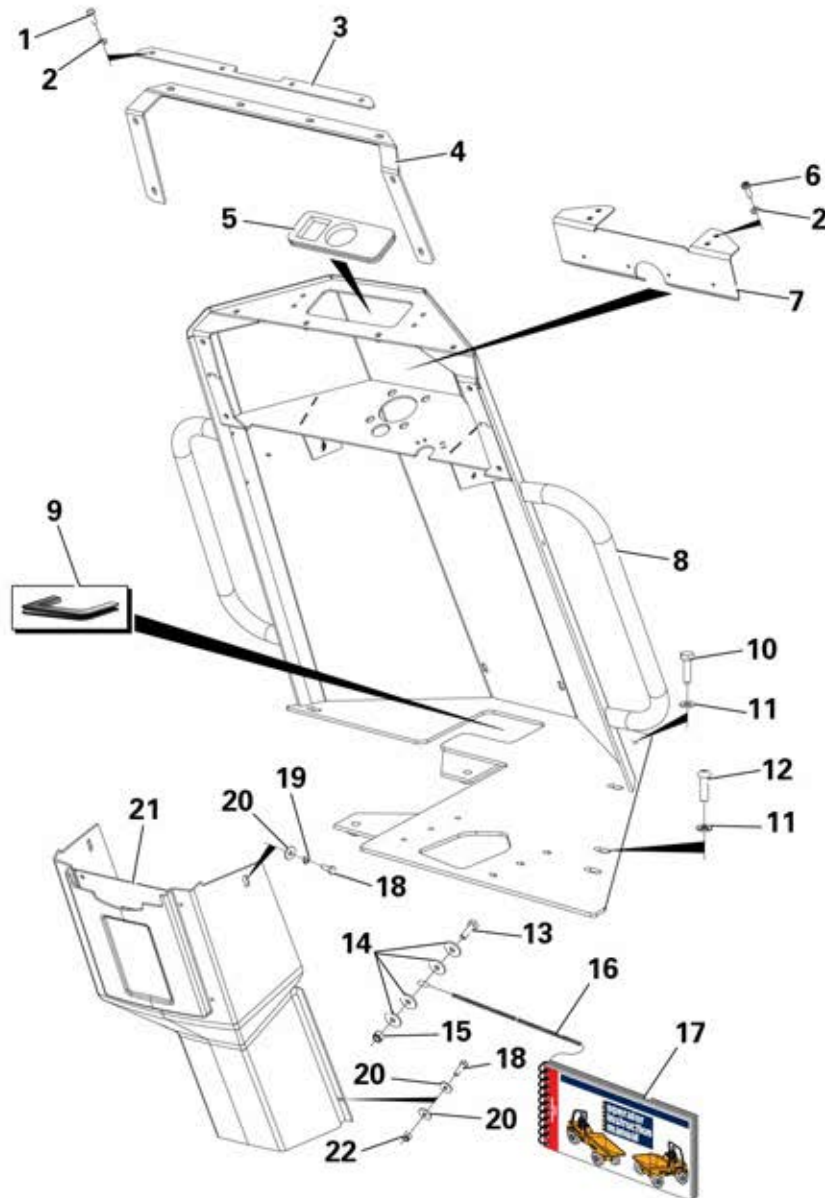


Item	Part No.	Description	Qty	U/M
1		BUSH	2.0	EA
2		BRAKE PEDAL	1.0	EA
3		BRAKE SPRING	1.0	EA
4		WASHER	1.0	EA
5		SPLIT PIN	1.0	EA
6		PEDAL SHAFT	1.0	EA
7		NYLOC NUT	1.0	EA
8		WASHER	1.0	EA
9		SET SCREW	1.0	EA
10		NUT	1.0	EA
11		SET SCREW	1.0	EA
12		BRAKE LEVER MTG BRKT	1.0	EA
13		WASHER	5.0	EA
14		SPRING WASHER	5.0	EA
15		SET SCREW	5.0	EA
16		SPRING CLEVIS PIN	1.0	EA
17		FORK END	1.0	EA
18		LOCK NUT	1.0	EA
19		MASTER CYLINDER	1.0	EA
19A		SEAL KIT	1.0	EA



BRAKE CIRCUIT

Item	Part No.	Description	Qty	U/M
1		RESERVOIR CAP	1.0	EA
2		BRAKE M/CYL.RESERVOIR	1.0	EA
3		RESERVOIR 'P' CLIP	2.0	EA
4		HOSE CLIP	4.0	EA
5		BRAKE RESERVOIR COVER	1.0	EA
6		M/CYL-RES.HOSE	2.0	EA
7		BOLT	2.0	EA
8		WASHER	4.0	EA
9		PIPE CLAMP	2.0	EA
10		NYLOC NUT	2.0	EA
11		BRAKE PIPE	1.0	EA
12		BRAKE PIPE	1.0	EA
13		LOCK NUT	4.0	EA
14		BRAKE B/H UNION	2.0	EA
15		BRAKE PIPE	1.0	EA
16		BRAKE PIPE	1.0	EA
17		FLEXIBLE BRAKEHOSE	1.0	EA
18		DOUBLE ENDED UNION	2.0	EA
19		BRAKE PIPE (REAR)	1.0	EA
20		BRAKE PIPE (FRONT)	1.0	EA
21		FRONT BRAKE PIPE P/SW	1.0	EA
22		BRAKE PIPE CROSSOVER	4.0	EA
23		BRAKE TEE	2.0	EA
24		NYLOC NUT	5.0	EA
25		WASHER	5.0	EA
26		P CLIP	5.0	EA
27		CHEESE HEAD SCREW	2.0	EA

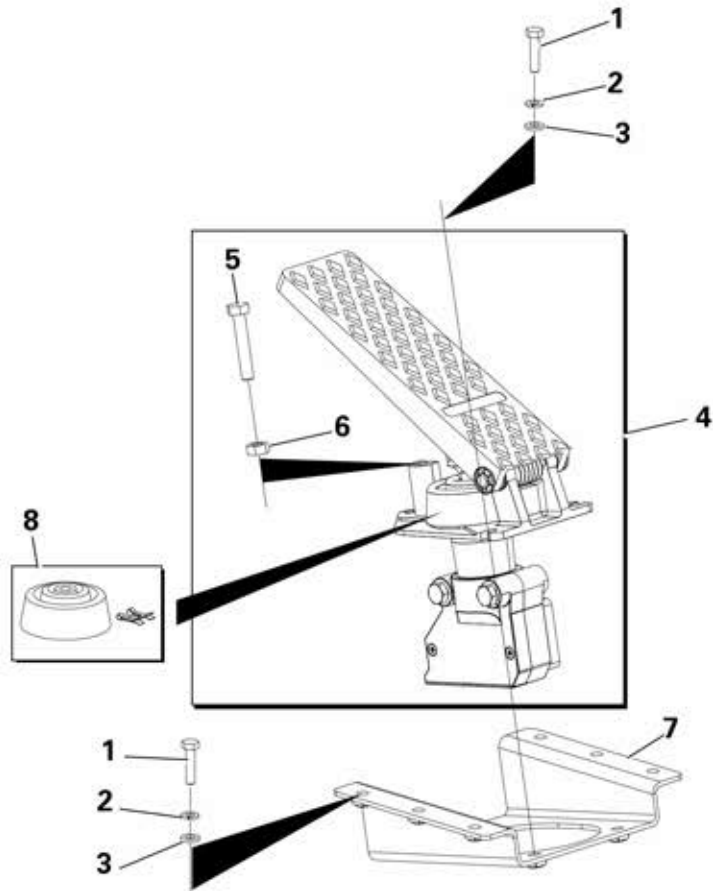


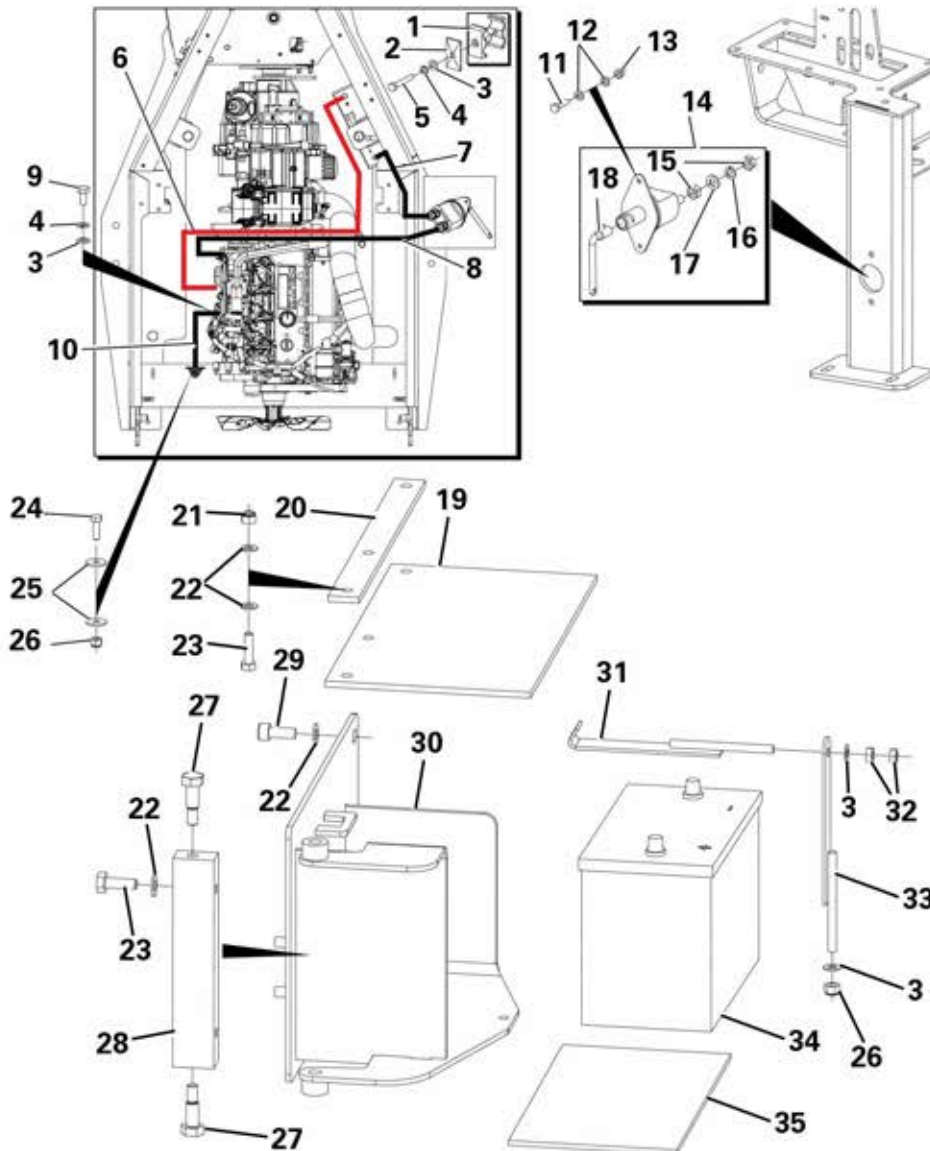
LEG GUARD ASSEMBLY

Item	Part No.	Description	Qty	U/M
1		DOME HEAD SCREW	4.0	EA
2		WASHER	8.0	EA
3		CLAMPING STRIP	1.0	EA
4		SEALING GASKET	1.0	EA
5		STEERING COLUMN GROMMET	1.0	EA
6		PAN HEAD SCREW	4.0	EA
7		SPLASH GUARD	1.0	EA
8		LEG GUARD ASSY	1.0	EA
9		E J TRIM	1.0	EA
10		SET SCREW	2.0	EA
11		HEAVY DUTY WASHER	6.0	EA
12		SOCKET DOME HEAD SCREW	4.0	EA
13		SET SCREW	1.0	EA
14		HEAVY DUTY WASHER	4.0	EA
15		NYLOC NUT	1.0	EA
16		RETAINING CABLE	1.0	EA
17		OPERATOR BOOK	1.0	EA
17A		SERVICE BOOK	1.0	EA
18		SET SCREW	4.0	EA
19		SPRING WASHER	2.0	EA
20		HEAVY DUTY WASHER	6.0	EA
21		INNER LEG GUARD	1.0	EA
22		NYLOC NUT	2.0	EA

THROTTLE PEDAL ASSEMBLY

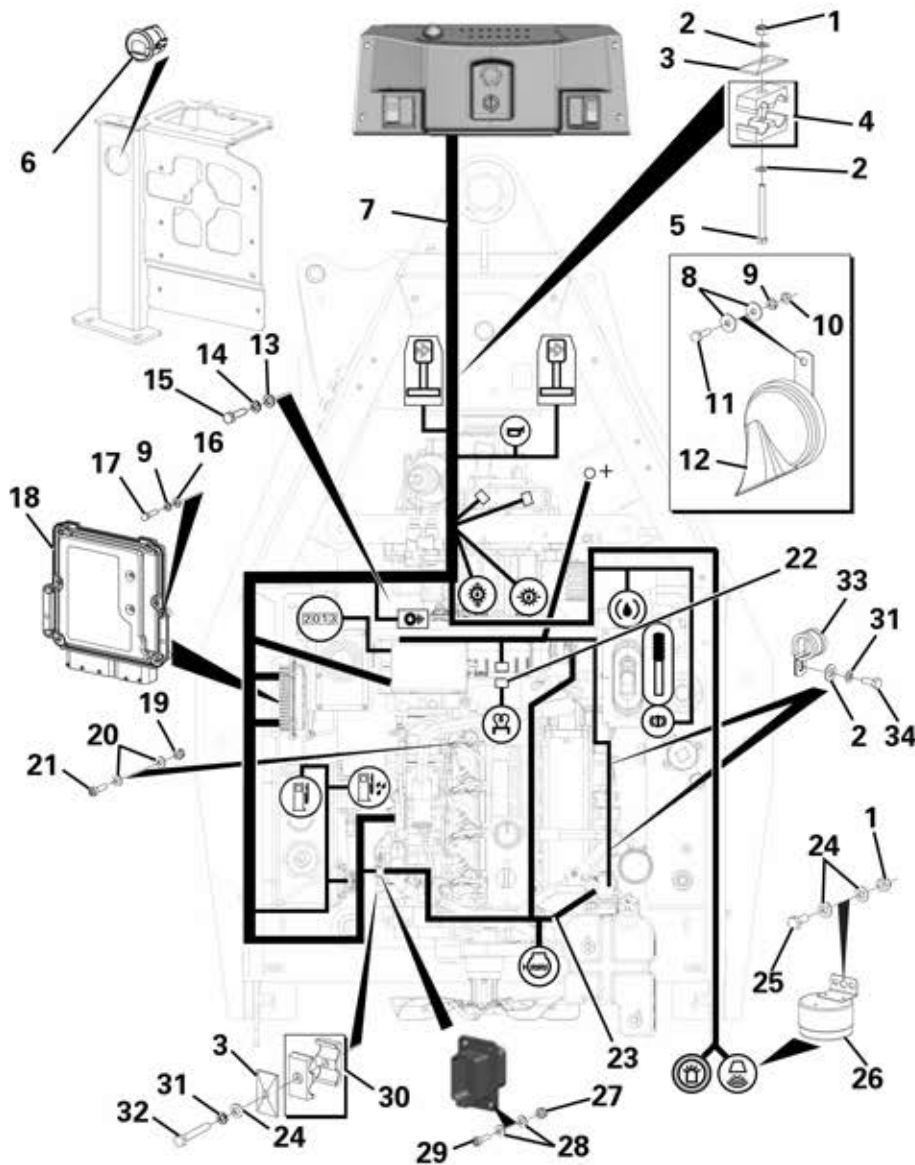
Item	Part No.	Description	Qty	U/M
1		SET SCREW	9.0	EA
2		SPRING WASHER	9.0	EA
3		WASHER	9.0	EA
4		THROTTLE PEDAL-ELECTRONIC	1.0	EA
5		SET SCREW	1.0	EA
6		NUT	1.0	EA
7		THROTTLE PEDAL BRACKET	1.0	EA
8		SERVICE KIT	1.0	EA





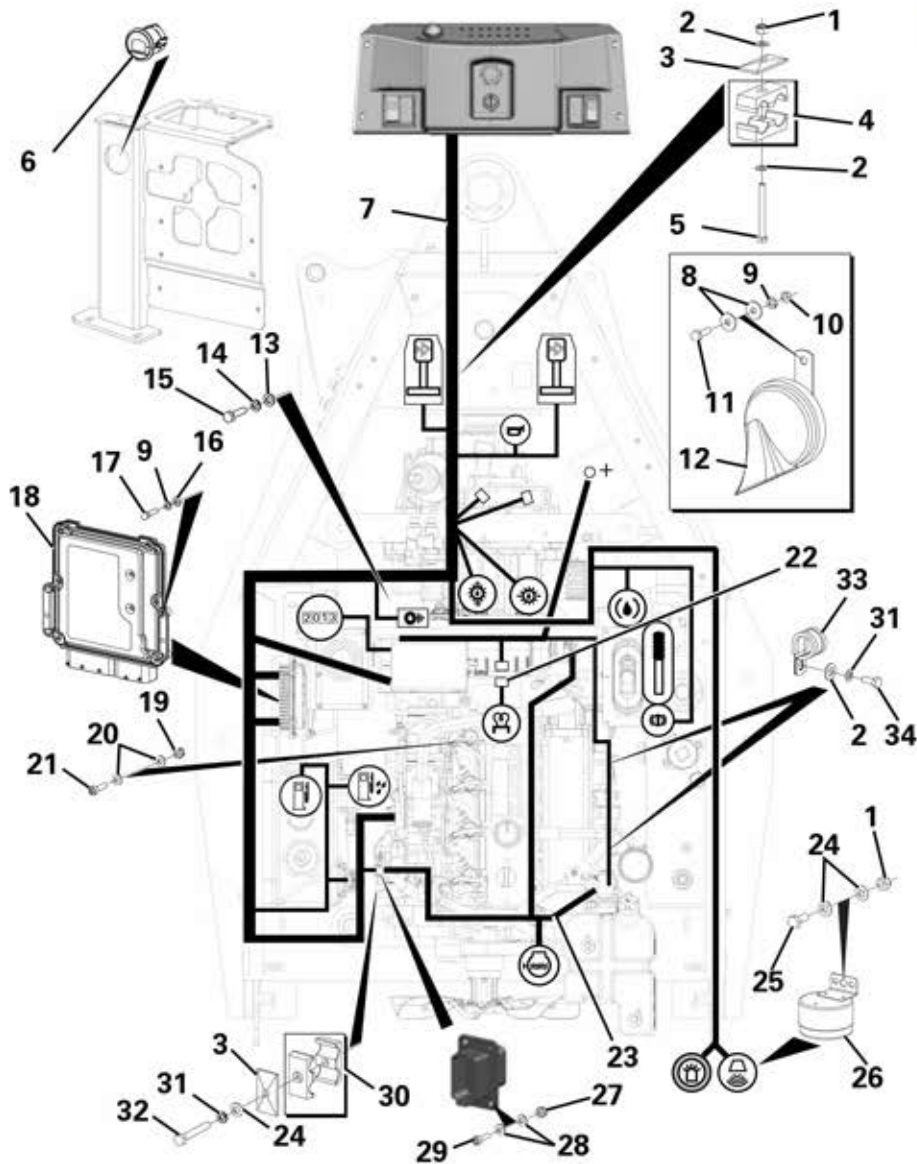
BATTERY BOX ASSEMBLY

Item	Part No.	Description	Qty	U/M
1		PIPE CLAMP	1.0	EA
2		COVER PLATE	1.0	EA
3		WASHER	4.0	EA
4		SPRING WASHER	2.0	EA
5		BOLT	1.0	EA
6		BATTERY POSITIVE CABLE	1.0	EA
7		BATTERY NEGATIVE CABLE	1.0	EA
8		ISOLATOR CABLE	1.0	EA
9		SET SCREW	1.0	EA
10		CHASSIS EARTH CABLE	1.0	EA
11		SET SCREW	2.0	EA
12		WASHER	4.0	EA
13		NYLOC NUT	2.0	EA
14		BATTERY ISOLATOR SWITCH	1.0	EA
15		NUT	4.0	EA
16		SPRING WASHER	2.0	EA
17		WASHER	2.0	EA
18		KEY	1.0	EA
19		RUBBER BATTERY COVER	1.0	EA
20		BATTERY COVER RETAINER	1.0	EA
21		PHILIDAS NUT	2.0	EA
22		HEAVY DUTY WASHER	8.0	EA
23		SET SCREW	4.0	EA
24		SET SCREW	1.0	EA
25		HEAVY DUTY WASHER	2.0	EA
26		NYLOC NUT	2.0	EA
27		PIVOT PIN	2.0	EA
28		BATTERY BOX HINGE	1.0	EA
29		SOCKET HEAD CAP SCREW	2.0	EA
30		BATTERY BOX	1.0	EA
31		BATTERY STOP TOP	1.0	EA
32		NUT	2.0	EA
33		BATTERY CLAMP	1.0	EA
* 34		BATTERY (WITH HANDLES)	1.0	EA
35		BATTERY MAT	1.0	EA



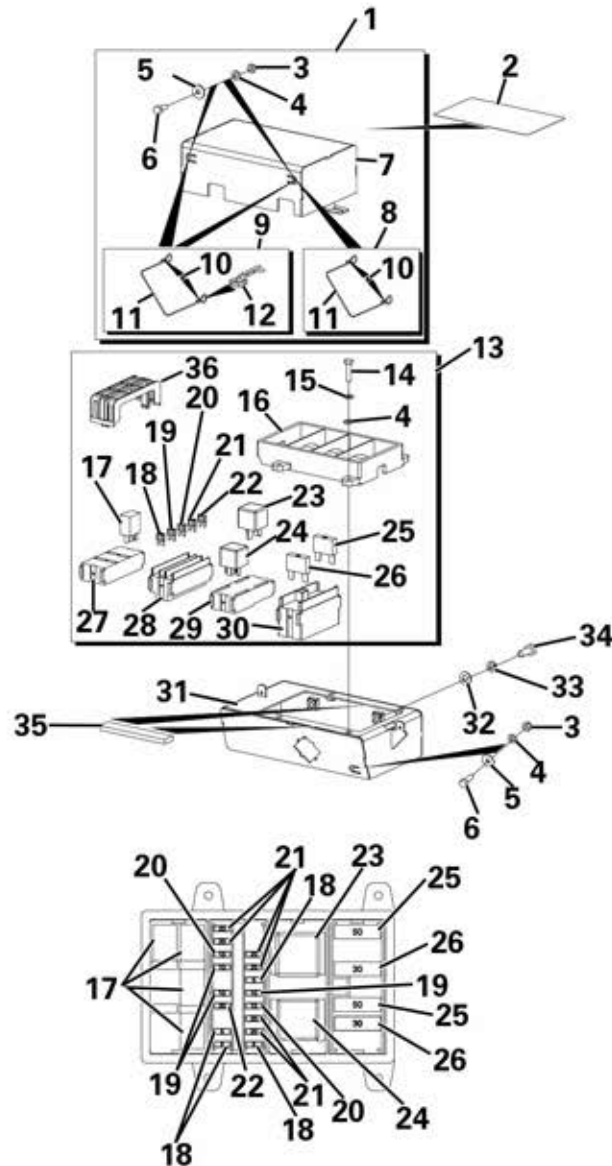
VEHICLE HARNESS

Item	Part No.	Description	Qty	U/M
	1	NYLOC NUT	2.0	EA
*	2	HEAVY DUTY WASHER	4.0	EA
	3	COVER PLATE	2.0	EA
	4	PIPE CLAMP	1.0	EA
	5	BOLT	1.0	EA
	6	HOURLMETER - CAN READER	1.0	EA
	7	VEHICLE HARNESS	1.0	EA
		VEHICLE HARNESS - KOSRAN	1.0	EA
	8	HEAVY DUTY WASHER	2.0	EA
	9	SPRING WASHER	5.0	EA
	10	NUT	1.0	EA
	11	SET SCREW	1.0	EA
	12	HORN	1.0	EA
	13	WASHER	1.0	EA
	14	SPRING WASHER	1.0	EA
	15	SET SCREW	1.0	EA
	16	WASHER	4.0	EA
	17	SET SCREW	4.0	EA
	18	ECU UNIT DOC	1.0	EA
	19	NYLOC NUT	1.0	EA
	20	WASHER	2.0	EA



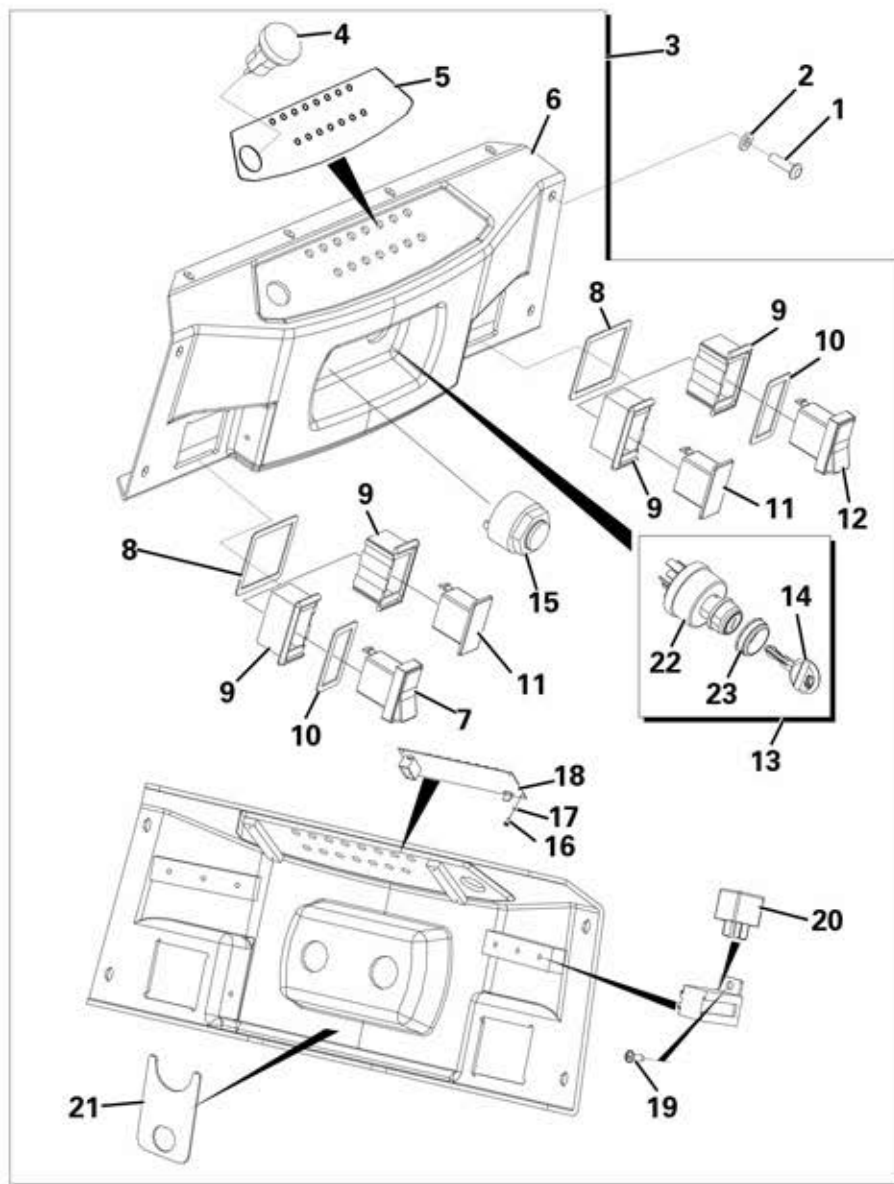
VEHICLE HARNESS

Item	Part No.	Description	Qty	U/M
	21	SOCKET HEAD CAP SCREW	1.0	EA
	22	GLOW PLUG CABLE	1.0	EA
	23	ENGINE HARNESS	1.0	EA
	24	WASHER	3.0	EA
	25	SET SCREW	1.0	EA
	26	REVERSE ALARM	1.0	EA
	27	NYLOC NUT	4.0	EA
	28	WASHER	4.0	EA
	29	SOCKET HEAD CAP SCREW	4.0	EA
	30	PIPE CLAMP	1.0	EA
	* 31	SPRING WASHER	3.0	EA
	32	BOLT	1.0	EA
	* 33	P CLIP	2.0	EA
	* 34	BOLT	2.0	EA



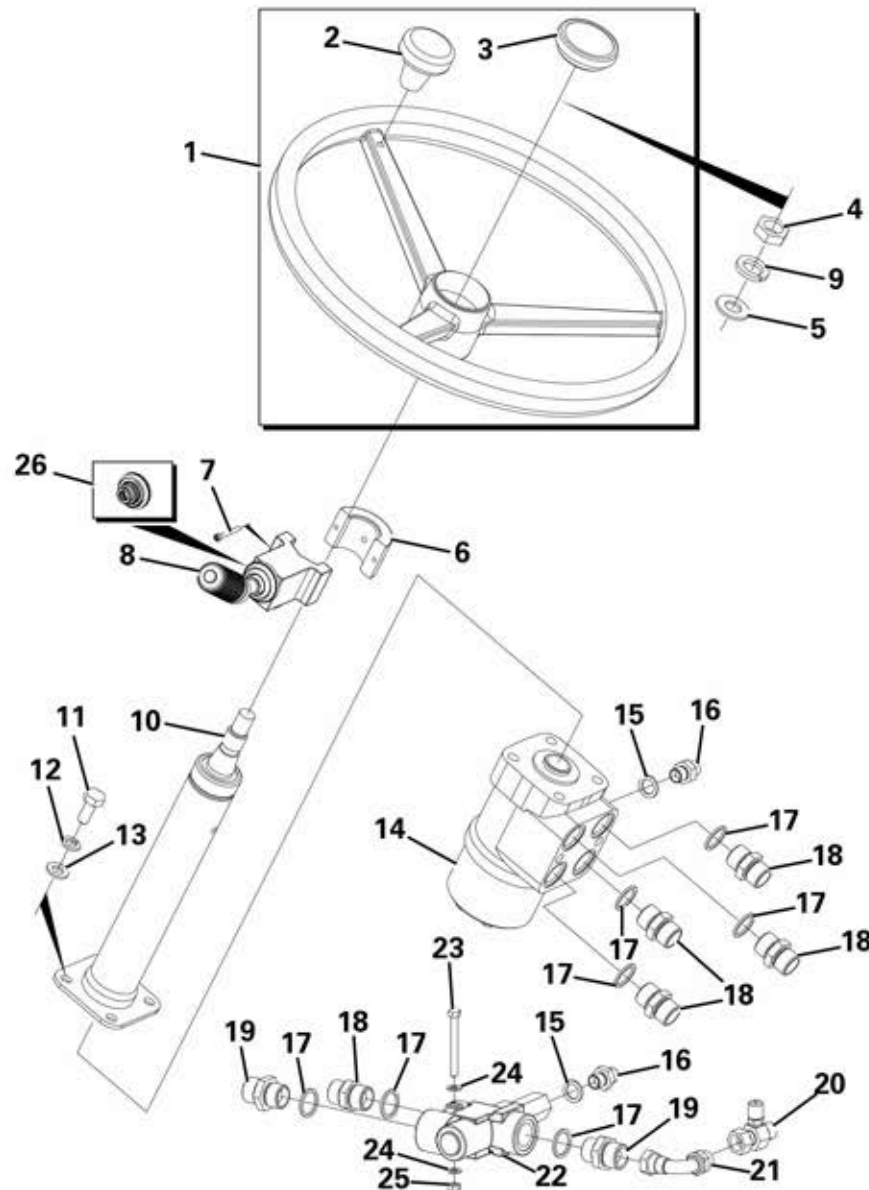
FUSE BOX

Item	Part No.	Description	Qty	U/M
1		FUSE BOX COVER ASSEMBLY	1.0	EA
2		DECAL FUSE LAYOUT	1.0	EA
3		NYLOC NUT	3.0	EA
4		WASHER	7.0	EA
5		HEAVY DUTY WASHER	3.0	EA
6		SET SCREW	3.0	EA
7		FUSE BOX COVER ASSEMBLY	1.0	EA
8		RETAINING CABLE ASSEMBLY	1.0	EA
9		R-CLIP CABLE ASSEMBLY	2.0	EA
10		COPPER SLEEVE	6.0	EA
11		PIN RETAINING CABLE	3.0	EA
12		DOUBLE COIL R-CLIP	2.0	EA
13		Part of ITEM 7 on VEHICLE HARNESS page		EA
14		SET SCREW	4.0	EA
15		SPRING WASHER	4.0	EA
16		FUSE BOX FRAME	1.0	EA
17		RELAY	4.0	EA
18		FUSE 5AMP	4.0	EA
19		FUSE 10AMP	3.0	EA
20		FUSE 15AMP	2.0	EA
21		FUSE 20AMP	6.0	EA
22		FUSE 30AMP	1.0	EA
23		POWER RELAY	1.0	EA
24		RELAY	1.0	EA
25		MAXI FUSE 50A	2.0	EA
26		MAXI FUSE 30A	2.0	EA
27		RELAY MODUALE	1.0	EA
28		MINI FUSE MODULE	1.0	EA
29		POWER RELAY MODULE	1.0	EA
30		MAXI FUSE MODULE	1.0	EA
31		FUSE BOX MOUNT	1.0	EA
32		WASHER	2.0	EA
33		SPRING WASHER	2.0	EA
34		SET SCREW	2.0	EA
35		FOAM STRIP	1.0	EA
36		RETAINING CLIP	1.0	EA



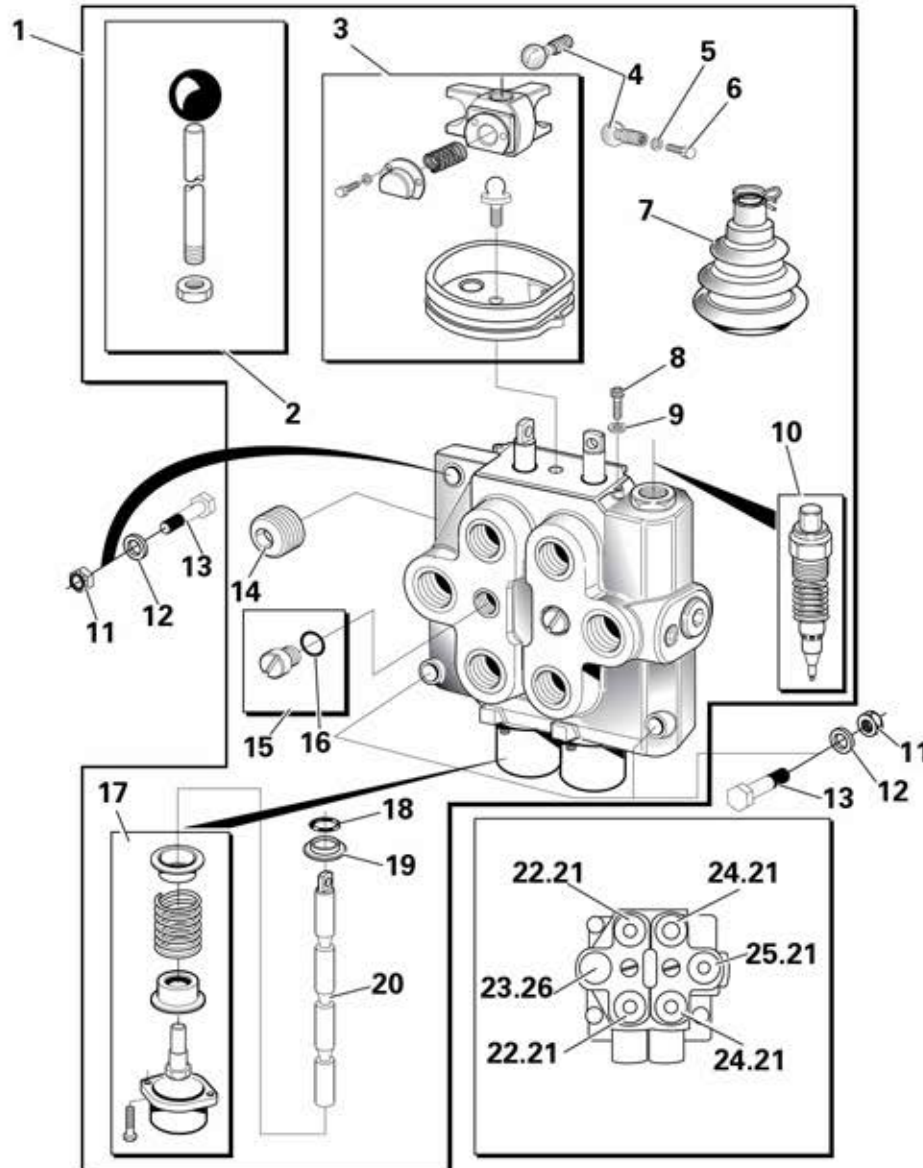
DASH PANEL ASSEMBLY

Item	Part No.	Description	Qty	U/M
1		DOME HEAD SCREW	4.0	EA
2		WASHER	4.0	EA
* 3		DASHPANEL ASSY	1.0	EA
4		HORN PUSH	1.0	EA
5		CONSOLE DECAL	1.0	EA
6		DASH PANEL	1.0	EA
7		BRAKE TEST SWITCH	1.0	EA
8		MOUNTING PANEL GASKET	2.0	EA
9		SWITCH MOUNTING PANEL	4.0	EA
10		SWITCH BLANK SEAL	2.0	EA
11		SWITCH BLANK	2.0	EA
12		SWITCH HAZARD	1.0	EA
* 13		IGNITION SWITCH	1.0	EA
* 14		STARTER SWITCH KEY	1.0	EA
15		BUZZER	1.0	EA
16		SCREW	4.0	EA
17		NYLON WASHER	4.0	EA
18		LED MODULE	1.0	EA
19		SCREW	1.0	EA
20		FLASHER UNIT	1.0	EA
* 21		IGNITION SWITCH BACKING PLATE	1.0	EA
* 22		KEY CYLINDER (IGNITION)	1.0	EA
* 23		KEY CYLINDER NUT (IGNITION)	1.0	EA



STEERING ASSEMBLY

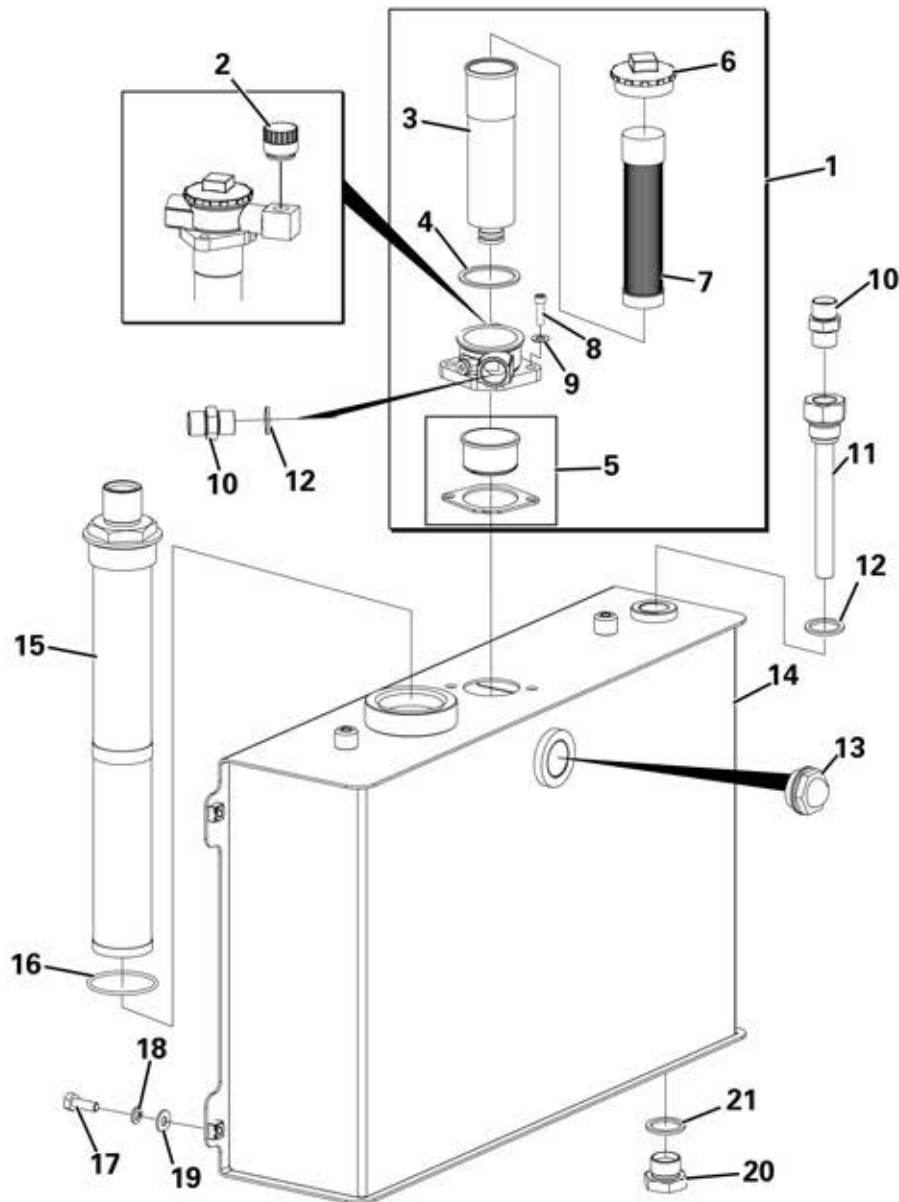
Item	Part No.	Description	Qty	U/M
1		STEERING WHEEL & CAP	1.0	EA
2		SPINNER KNOB	1.0	EA
3		CENTRE CAP	1.0	EA
4		NUT	1.0	EA
5		WASHER	1.0	EA
6		COLUMN SWITCH CLAMP	1.0	EA
7		SOCKET HEAD CAP SCREW	2.0	EA
8		COLUMN SWITCH	1.0	EA
9		SPRING WASHER	1.0	EA
10		STEERING COLUMN	1.0	EA
11		SET SCREW	4.0	EA
12		SPRING WASHER	4.0	EA
13		WASHER	4.0	EA
14		STEERING ORBITROL	1.0	EA
15		SEAL KIT	1.0	EA
16		DOWTY WASHER	2.0	EA
17		ADAPTOR	2.0	EA
18		DOWTY WASHER	7.0	EA
19		ADAPTOR	5.0	EA
20		ADAPTOR	1.0	EA
21		HYDRAULIC TEST POINT	1.0	EA
22		ADAPTOR	1.0	EA
23		LOAD SENSING VALVE	1.0	EA
24		BOLT	1.0	EA
25		WASHER	2.0	EA
26		PHILIDAS NUT	1.0	EA
		GAITER	1.0	EA



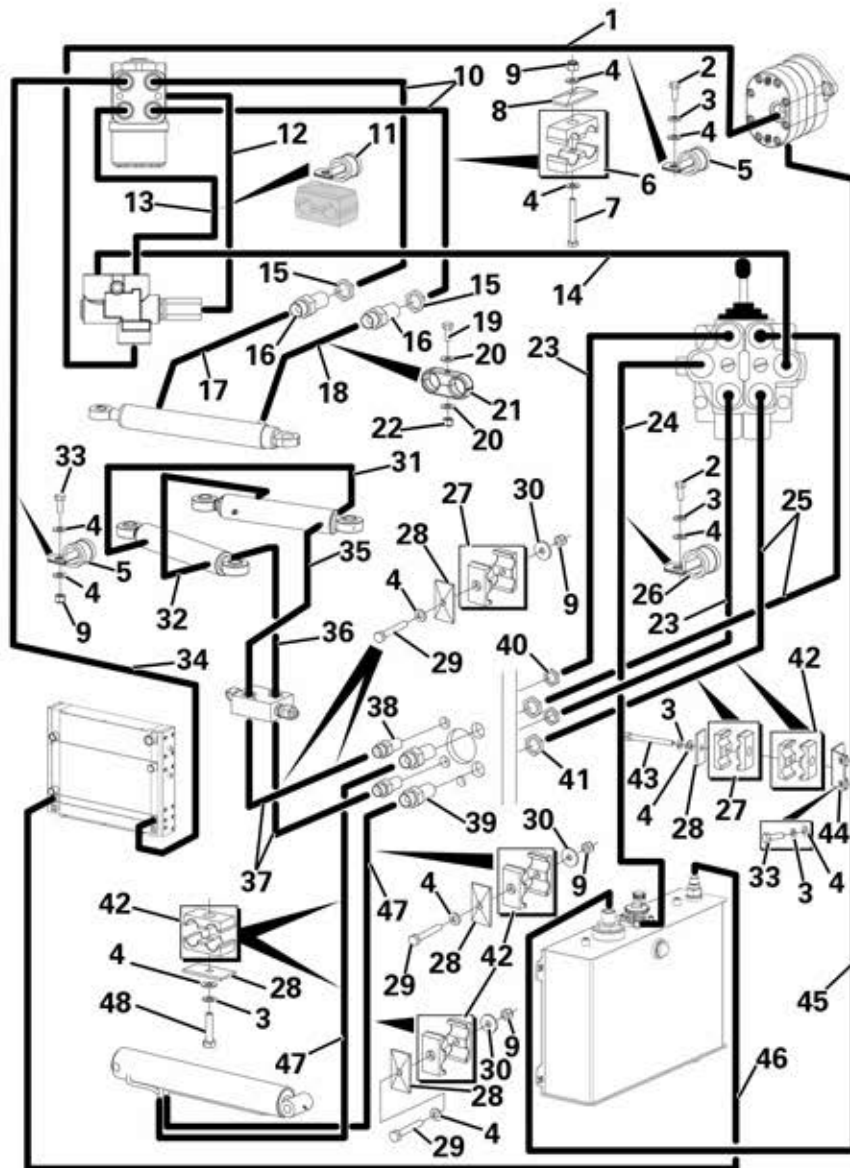
TIPPING VALVE

Item	Part No.	Description	Qty	U/M
1		TIPPING VALVE ASSY	1.0	EA
2		LEVER ASSEMBLY	1.0	EA
3		LEVER BASE ASSEMBLY	1.0	EA
4		SWIVEL PINS	2.0	EA
5		SPRING WASHER	2.0	EA
6		SCREW	2.0	EA
7		RUBBER GAITER	1.0	EA
8		SCREW	2.0	EA
9		SPACER	2.0	EA
10		VALVE	1.0	EA
11		NUT	3.0	EA
12		PLAIN WASHER	3.0	EA
13		BOLT	3.0	EA
14		BLANKING PLUG	1.0	EA
15		CHECK VALVE ASSEMBLY	2.0	EA
16		SEAL	2.0	EA
17		CAP ASSEMBLY	2.0	EA
18		SEAL	2.0	EA
19		FLANGED WASHER	2.0	EA
20		SPOOL	2.0	EA
21		HYDRAULIC SEAL	5.0	EA
22		ADAPTOR	2.0	EA
23		ADAPTOR	1.0	EA
24		ADAPTOR	2.0	EA
25		ADAPTOR	1.0	EA
26		DOWTY WASHER	1.0	EA

HYDRAULIC TANK ASSEMBLY

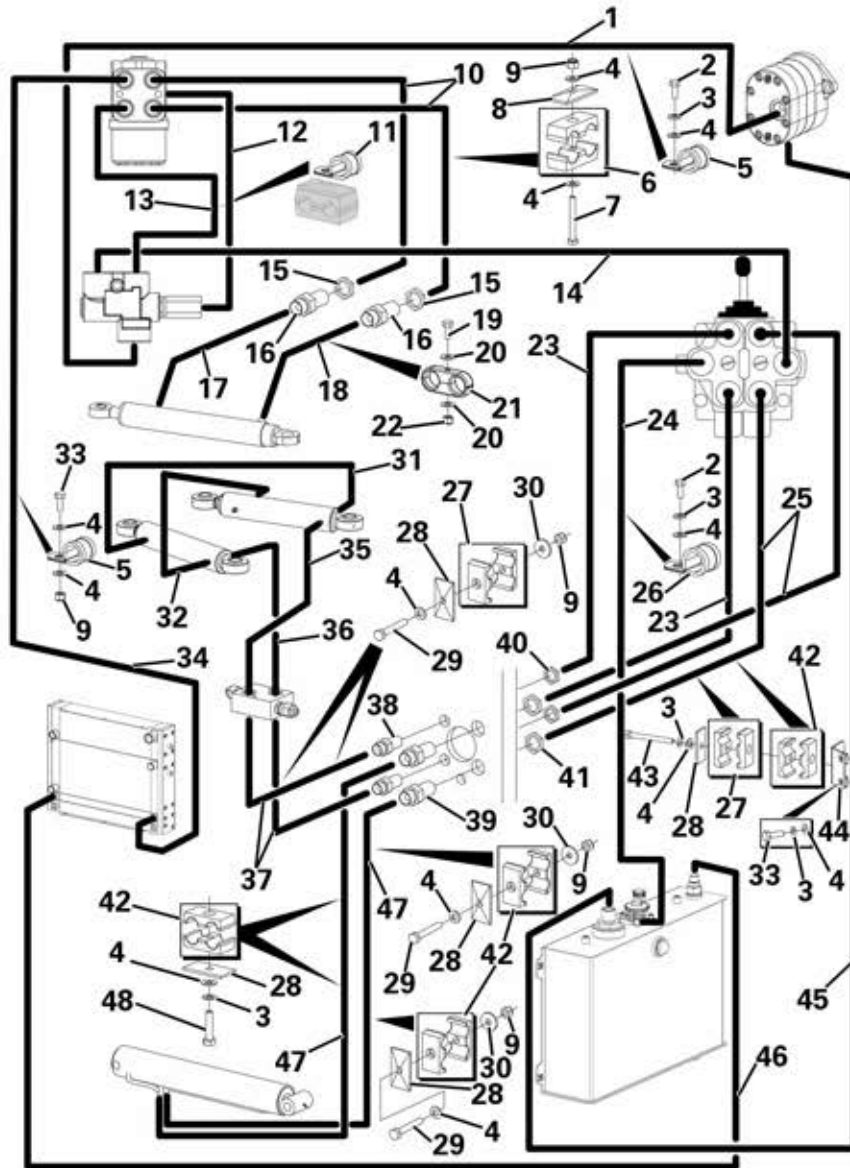


Item	Part No.	Description	Qty	U/M
1		RETURN FILTER	1.0	EA
2		BREATHER CAP	1.0	EA
3		OUTER CASING	1.0	EA
4		O RING	1.0	EA
5		SEAL AND SHROUD	1.0	EA
6		CAP	1.0	EA
7		FILTER	1.0	EA
8		SCREW	2.0	EA
9		COPPER WASHER	2.0	EA
10		ADAPTOR	2.0	EA
11		COOLER RETURN PIPE	1.0	EA
12		DOWTY SEAL	2.0	EA
13		LEVEL INDICATOR (BULLSEYE)	1.0	EA
14		HYDRAULIC TANK	1.0	EA
15		SUCTION STRAINER	1.0	EA
16		O-RING	1.0	EA
17		SCREW	4.0	EA
18		SPRING WASHER	4.0	EA
19		H/D WASHER	4.0	EA
20		DRAIN PLUG	1.0	EA
21		DOWTY WASHER	1.0	EA



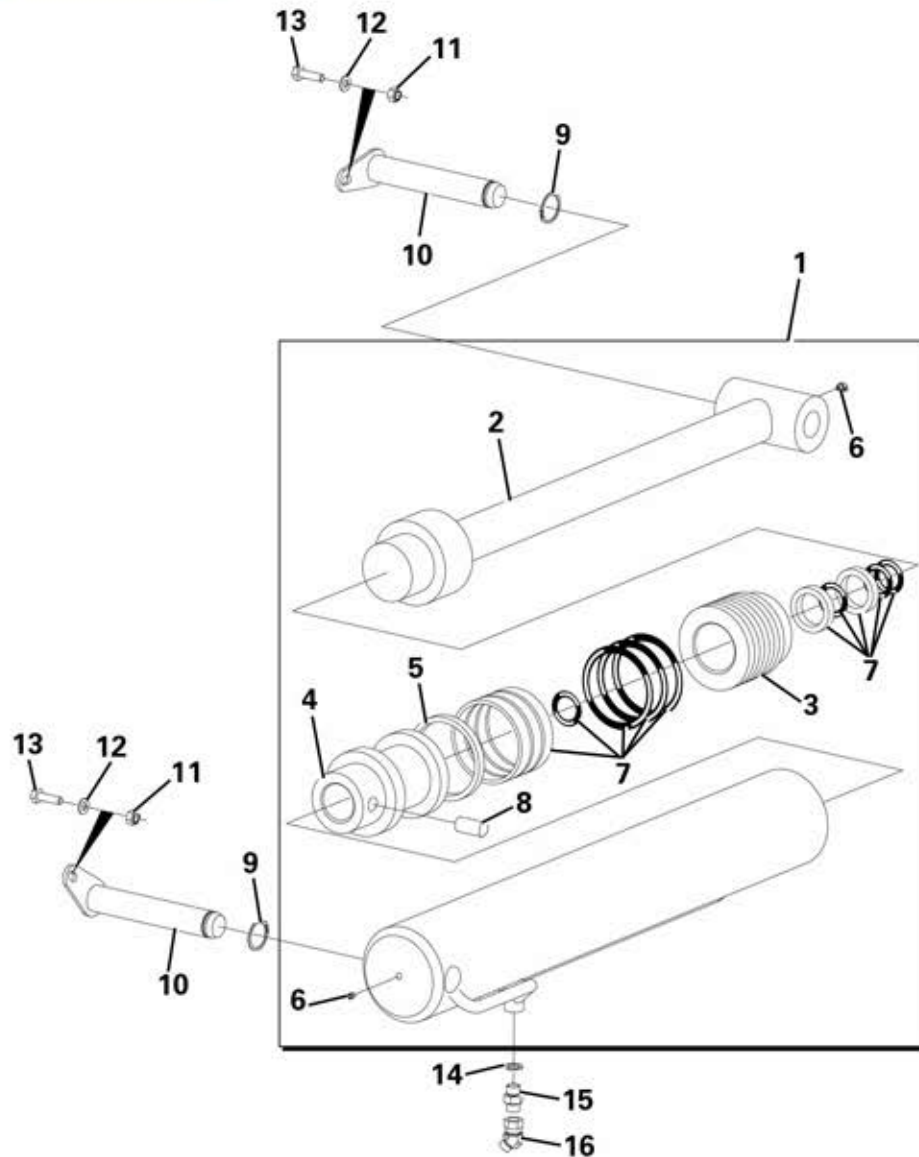
HYDRAULIC CIRCUIT

Item	Part No.	Description	Qty	U/M
	1	HYD HOSE	1.0	EA
	2	BOLT	2.0	EA
	* 3	SPRING WASHER	7.0	EA
	* 4	WASHER	17.0	EA
	5	P CLIP	2.0	EA
	6	PIPE CLAMP	1.0	EA
	7	BOLT	1.0	EA
	8	CLAMP COVER PLATE	1.0	EA
	* 9	NYLOC NUT	6.0	EA
	10	HYD HOSE	2.0	EA
	11	P CLIP	1.0	EA
	12	HYD HOSE	1.0	EA
	13	HYD HOSE	1.0	EA
	14	HYD HOSE	1.0	EA
	15	LOCKNUT	2.0	EA
	16	ADAPTOR	2.0	EA
	17	HOSE	1.0	EA
	18	HOSE	1.0	EA
	19	BOLT	1.0	EA
	20	WASHER	2.0	EA
	21	PIPE CLAMP	1.0	EA
	22	NUT	1.0	EA
	23	HOSE	2.0	EA



HYDRAULIC CIRCUIT

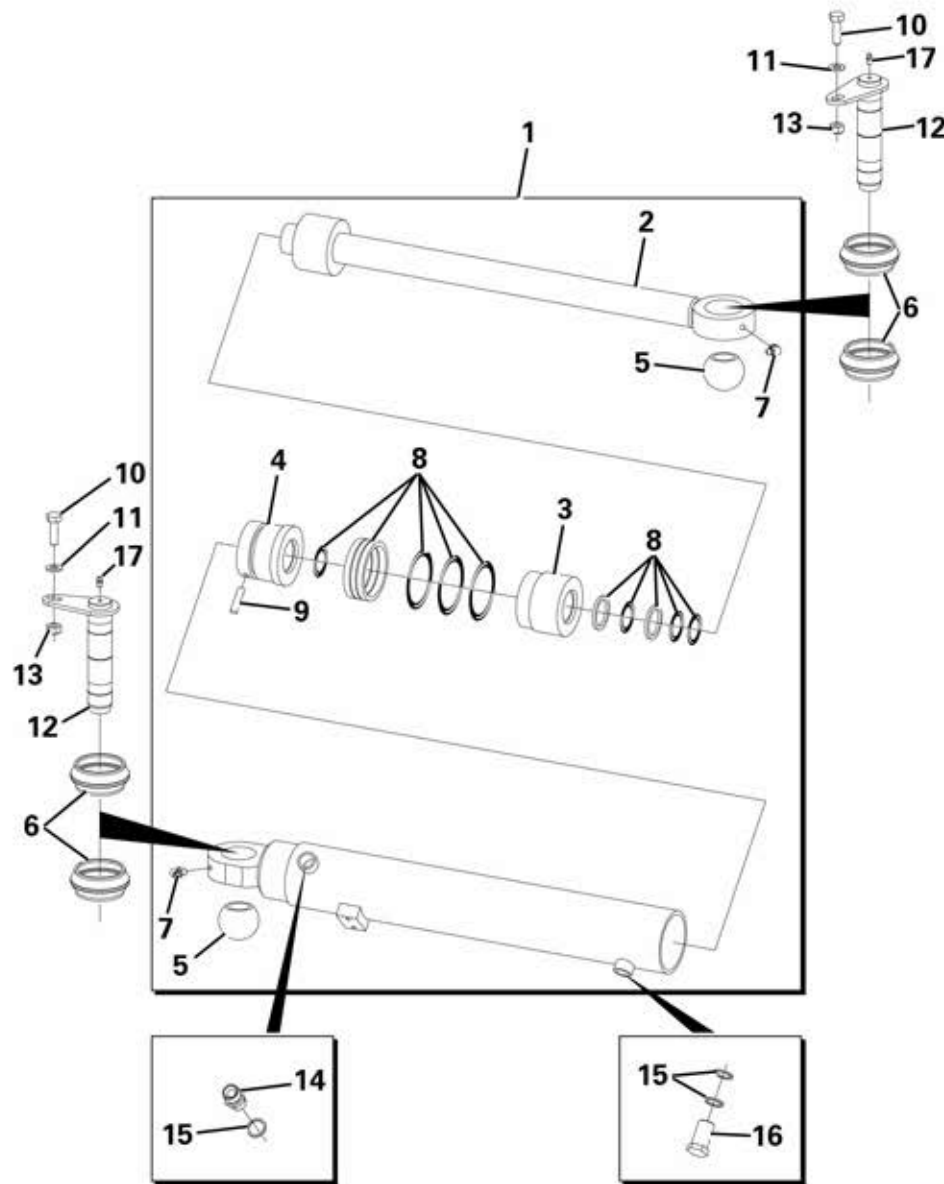
Item	Part No.	Description	Qty	U/M
	24	HOSE	1.0	EA
	25	HOSE	2.0	EA
	26	P CLIP	1.0	EA
	27	PIPE CLAMP	3.0	EA
	* 28	CLAMP COVER PLATE	7.0	EA
	* 29	BOLT	4.0	EA
	30	HEAVY DUTY WASHER	4.0	EA
	31	HOSE	1.0	EA
	32	HOSE	1.0	EA
	33	BOLT	3.0	EA
	34	HOSE	1.0	EA
	35	HOSE	1.0	EA
	36	HOSE	1.0	EA
	37	HOSE	2.0	EA
	38	ADAPTOR	2.0	EA
	39	ADAPTOR	2.0	EA
	40	LOCKNUT	2.0	EA
	41	LOCKNUT	2.0	EA
	* 42	CLAMP	5.0	EA
	43	BOLT	1.0	EA
	44	PIPE SUPPORT BRACKET	1.0	EA
	45	SUCTION HOSE	1.0	EA
	46	HOSE	1.0	EA
	* 47	HOSE	2.0	EA
	* 48	BOLT	2.0	EA



TIPPING RAM ASSEMBLY

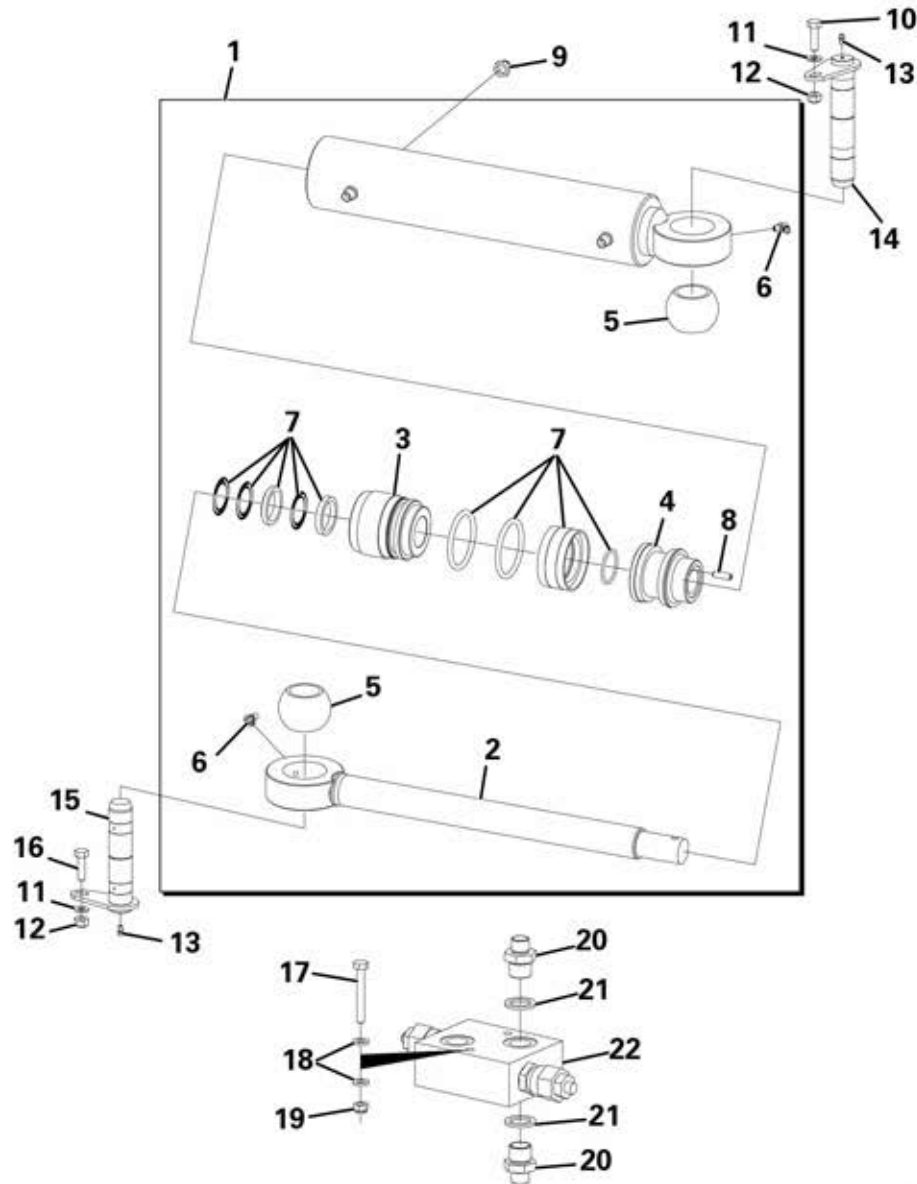
Item	Part No.	Description	Qty	U/M
1		TIPPING RAM	1.0	EA
2		ROD ASSY	1.0	EA
3		GLAND	1.0	EA
4		PISTON HEAD	1.0	EA
5		SPACER	1.0	EA
6		GREASE NIPPLE	2.0	EA
7		SEAL KIT	1.0	EA
8		SET SCREW	1.0	EA
9		CIRCLIP	2.0	EA
10		TIPPING RAM PIN	2.0	EA
11		PHILIDAS NUT	2.0	EA
12		HEAVY DUTY WASHER	2.0	EA
13		SET SCREW	2.0	EA
14		DOWTY WASHER	2.0	EA
15		ADAPTOR	2.0	EA
* 16		ADAPTOR	2.0	EA

STEERING RAM ASSEMBLY

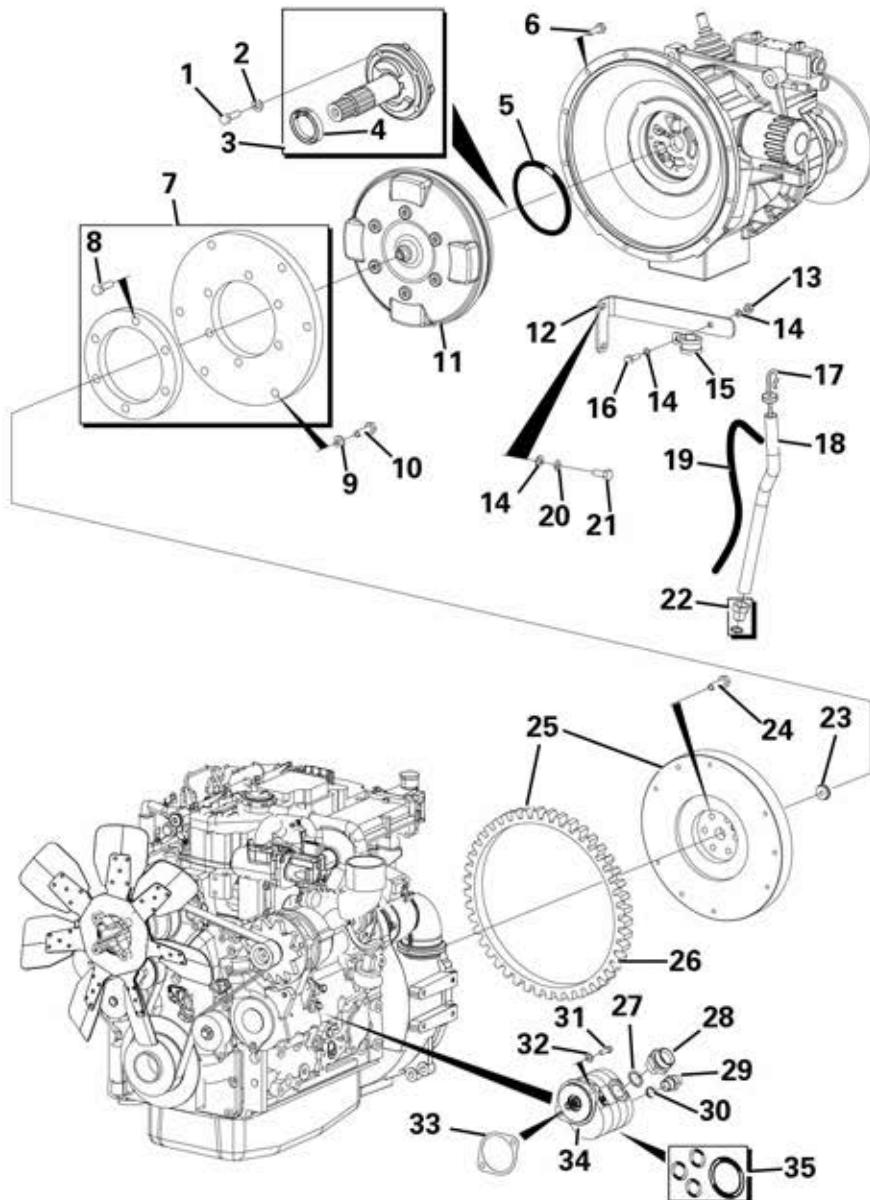


Item	Part No.	Description	Qty	U/M
1		STEERING RAM	1.0	EA
2		ROD ASSY	1.0	EA
3		GLAND	1.0	EA
4		PISTON HEAD	1.0	EA
5		SPHERICAL BEARING	2.0	EA
6		RAM DUST SEAL	4.0	EA
7		GREASE NIPPLE	2.0	EA
8		SEAL KIT	1.0	EA
9		SET SCREW	1.0	EA
10		SET SCREW	2.0	EA
11		HEAVY DUTY WASHER	2.0	EA
12		PIVOT PIN	2.0	EA
13		PHILIDAS NUT	2.0	EA
14		ADAPTOR	1.0	EA
15		DOWTY WASHER	3.0	EA
16		BANJO BOLT	1.0	EA
17		GREASE NIPPLE	2.0	EA

SLEW RAM ASSEMBLY

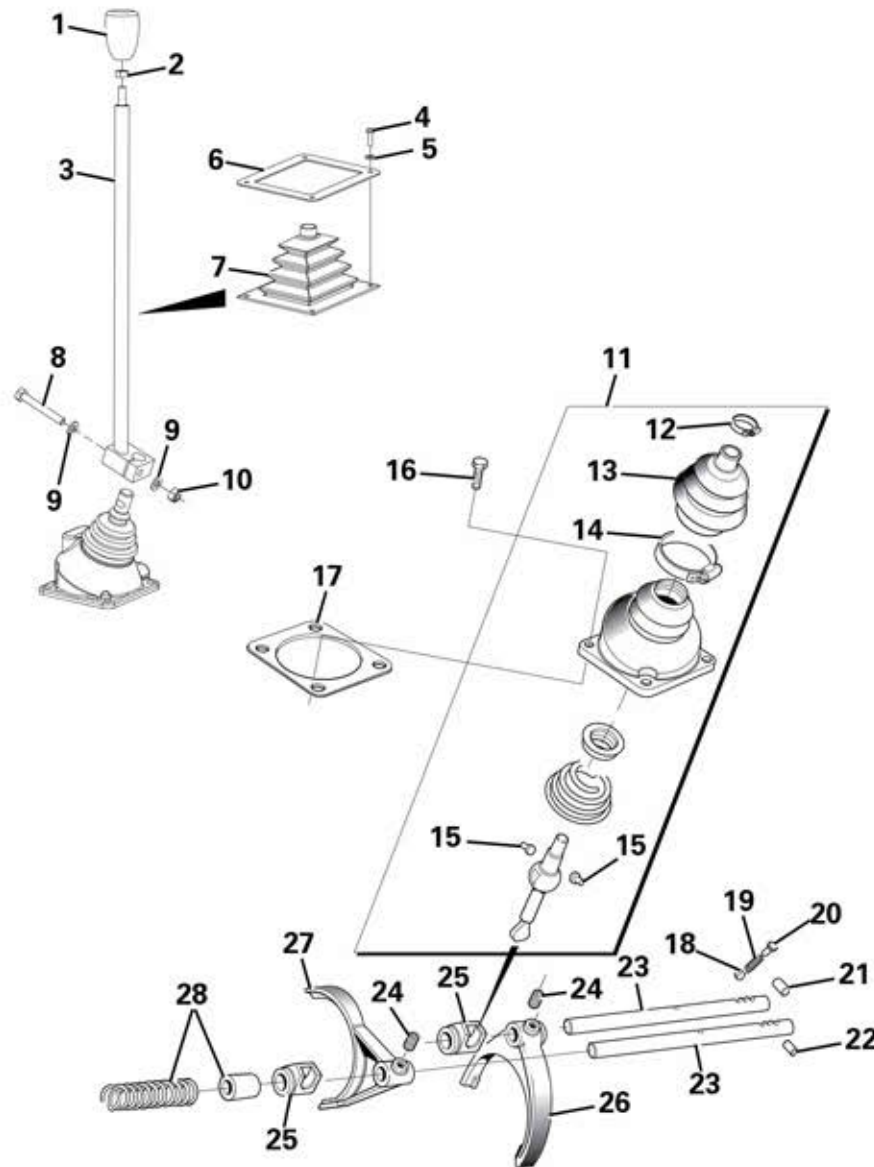


Item	Part No.	Description	Qty	U/M
1		SLEW RAM	2.0	EA
2		ROD ASSY	1.0	EA
3		GLAND	1.0	EA
4		PISTON HEAD	1.0	EA
5		SPHERICAL BEARING	2.0	EA
6		GREASE NIPPLE	2.0	EA
7		SEAL KIT	1.0	EA
8		SET SCREW	1.0	EA
9		BLANKING CAP	2.0	EA
10		BOLT	2.0	EA
11		WASHER	4.0	EA
12		NUT	4.0	EA
13		GREASE NIPPLE	4.0	EA
14		SLEW PIN	2.0	EA
15		PIVOT PIN	2.0	EA
16		BOLT	2.0	EA
17		BOLT	2.0	EA
18		WASHER	4.0	EA
19		NYLOC NUT	2.0	EA
20		ADAPTOR	4.0	EA
21		DOWTY WASHER	4.0	EA
22		DUAL CROSS LINE RELIEF VALVE	1.0	EA



TRANSMISSION DRIVE & HYD PUMP

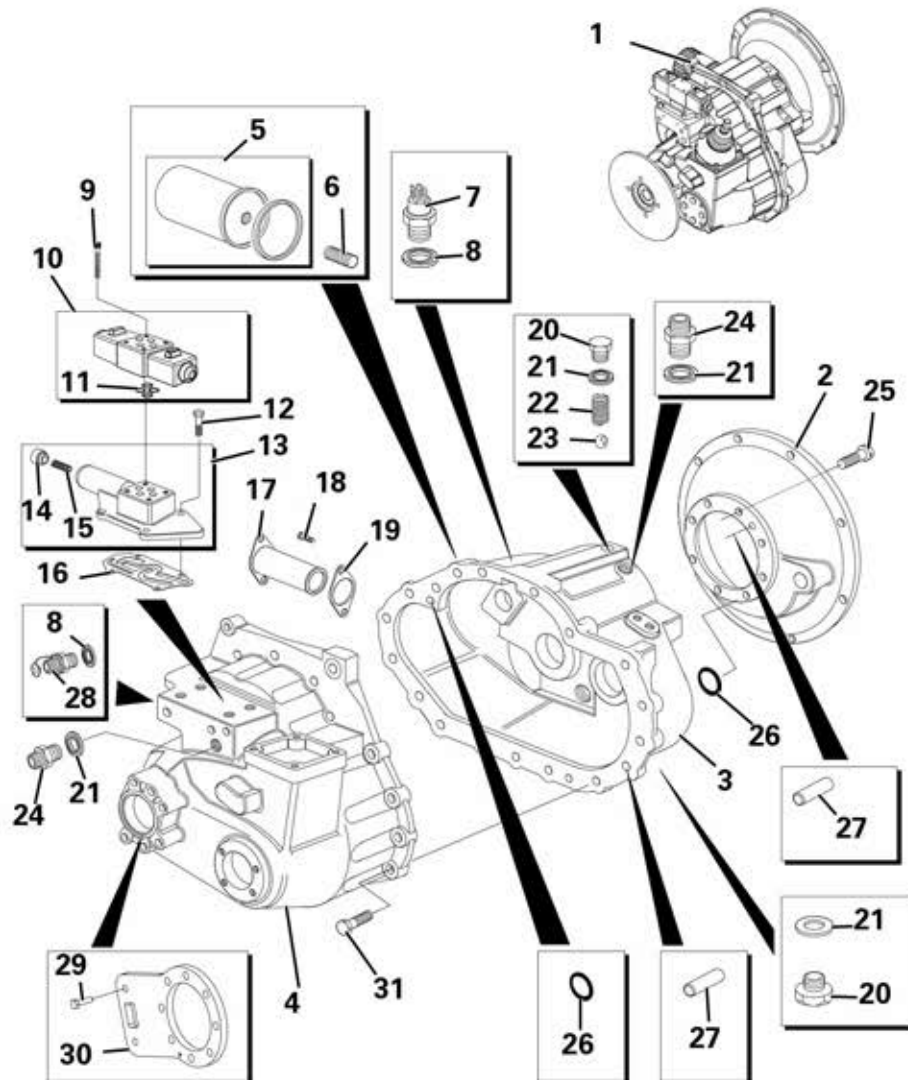
Item	Part No.	Description	Qty	U/M
1		BOLT	4.0	EA
2		SEALING WASHER	4.0	EA
3		OIL PUMP	1.0	EA
4		OIL SEAL	1.0	EA
5		RING-SEAL	1.0	EA
6		SET SCREW	12.0	EA
7		DRIVE PLATE KIT	1.0	EA
8		SET SCREW	6.0	EA
9		WASHER	6.0	EA
10		BOLT	6.0	EA
11		TORQUE CONVERTER	1.0	EA
12		DIPSTICK BRACKET	1.0	EA
13		NUT	1.0	EA
14		WASHER	4.0	EA
15		P CLIP	1.0	EA
16		SET SCREW	2.0	EA
17		GEARBOX DIPSTICK	1.0	EA
18		GEARBOX FILLER TUBE	1.0	EA
19		BREATHER TUBE	1.0	EA
20		SPRING WASHER	2.0	EA
21		SET SCREW	2.0	EA
22		NUT C/W SEAL	1.0	EA
23		FLYWHEEL HUB	1.0	EA
24		BOLT	8.0	EA
25		FLYWHEEL ASSEMBLY	1.0	EA
26		STARTER RING	1.0	EA
27		DOWTY WASHER	1.0	EA
28		ADAPTOR	1.0	EA
29		ADAPTOR	1.0	EA
30		DOWTY WASHER	1.0	EA
31		SOCKET HEAD CAP SCREW	2.0	EA
32		SCHNORR WASHER	2.0	EA
33		GASKET HYDRAULIC PUMP	1.0	EA
34		GEAR PUMP	1.0	EA
35		SEAL KIT	1.0	EA



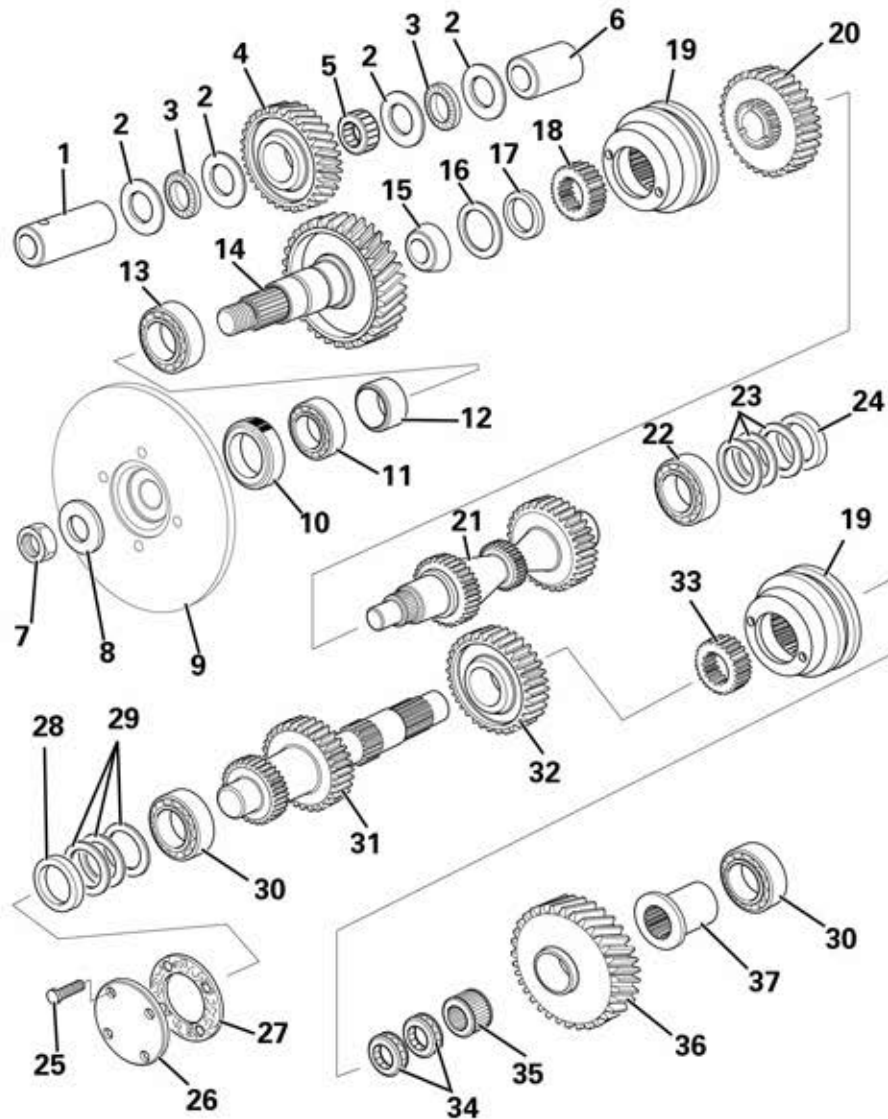
TRANSMISSION - GEAR CHANGE

Item	Part No.	Description	Qty	U/M
	1	BLACK MOULDED KNOB	1.0	EA
	2	NUT	1.0	EA
	3	GEAR CHANGE LEVER	1.0	EA
	4	PHILIPS PAN HEAD SCREW	4.0	EA
	5	HD WASHER	4.0	EA
	6	LEVER GAITER RETAINING PLATE	1.0	EA
	7	GEAR LEVER GAITER	1.0	EA
	8	BOLT	1.0	EA
	9	WASHER	2.0	EA
	10	STOVER NUT	1.0	EA
	11	GEAR LEVER ASSEMBLY	1.0	EA
	12	CLIP	1.0	EA
	13	GAITER	1.0	EA
	14	CLIP	1.0	EA
	15	GEAR LEVER RETAINING PIN	2.0	EA
	16	BOLT	4.0	EA
	17	GASKET	1.0	EA
	18	BALL	2.0	EA
	19	DETENT SPRING	2.0	EA
	20	DETENT PLUG	2.0	EA
	21	ROLLER	1.0	EA
	22	PLUG	1.0	EA
	23	SELECTOR SHAFT	2.0	EA
	24	SCREW	4.0	EA
	25	SELECTOR BLOCK	2.0	EA
	26	SELECTOR FORK	1.0	EA
	27	SELECTOR FORK SPRING	1.0	EA
	28	SPRING	1.0	EA

TRANSMISSION - EXTERNAL

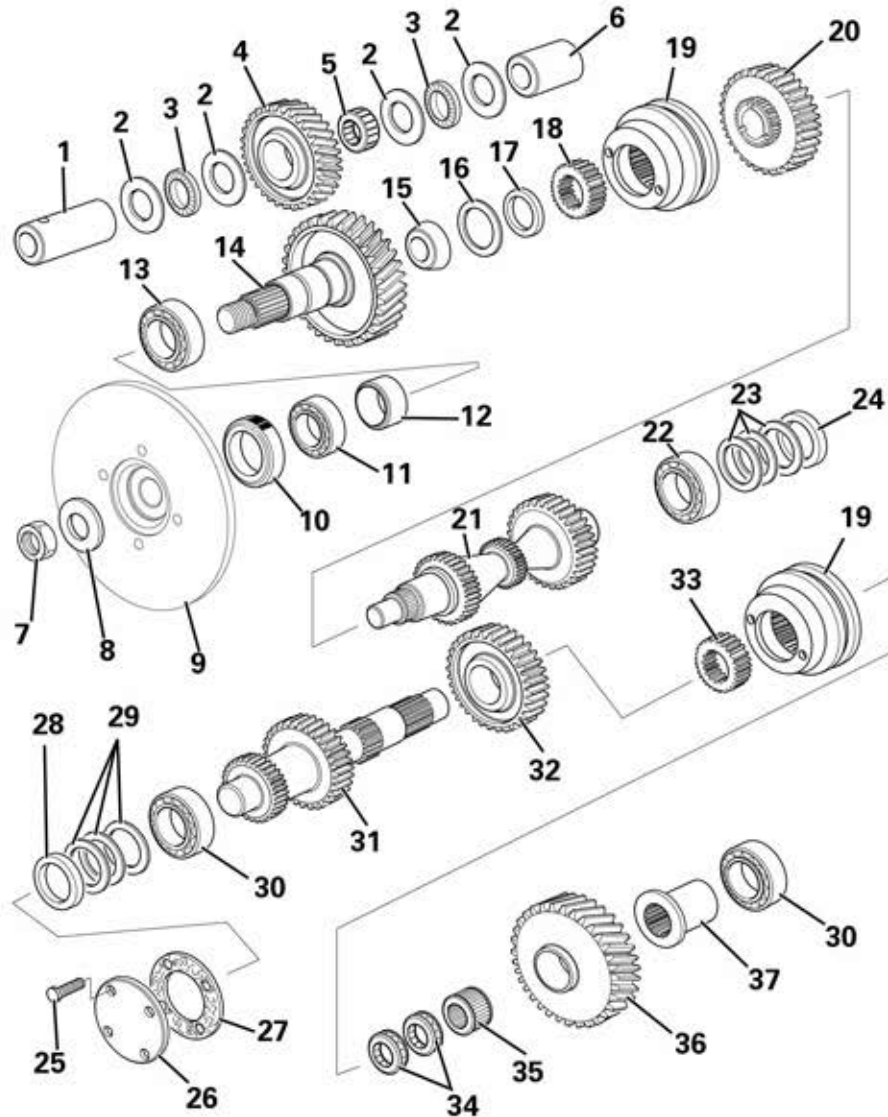


Item	Part No.	Description	Qty	U/M
1		GEARBOX	1.0	EA
2		FLYWHEEL HOUSING	1.0	EA
3		FRONT CASING	1.0	EA
4		CASE	1.0	EA
5		TRANSMISSION OIL FILTER	1.0	EA
6		FILTER ADAPTOR	1.0	EA
7		OIL PRESSURE SWITCH	1.0	EA
8		SEAL	2.0	EA
9		CAP SCREW	4.0	EA
10		SOLENOID VALVE	1.0	EA
11		SEAL KIT	1.0	EA
12		BOLT	4.0	EA
13		ADAPTOR BLOCK ASSEMBLY	1.0	EA
14		PLUG	1.0	EA
15		SPRING	1.0	EA
16		GASKET	1.0	EA
17		SUCTION STRAINER	1.0	EA
18		BOLT	2.0	EA
19		GASKET	1.0	EA
20		PLUG	3.0	EA
21		SEAL	5.0	EA
22		SPRING	1.0	EA
23		BALL	2.0	EA
24		ADAPTOR	2.0	EA
25		SCREW	12.0	EA
26		'O' RING	2.0	EA
27		DOWEL	4.0	EA
28		PRESSURE POINT	1.0	EA
29		BOLT	7.0	EA
30		CALIPER MTG PLATE	1.0	EA
31		SET SCREW	18.0	EA



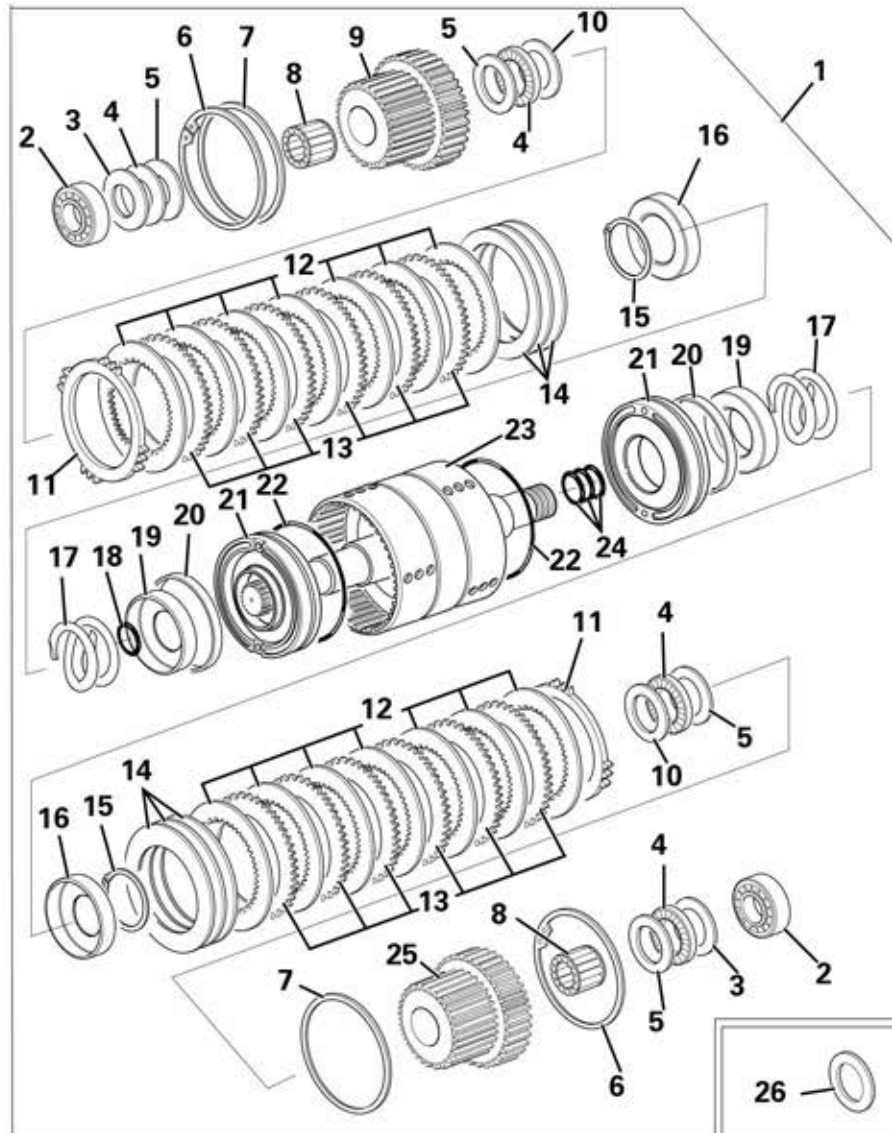
TRANSMISSION INTERNAL

Item	Part No.	Description	Qty	U/M
1		IDLER SHAFT	1.0	EA
2		WASHER	4.0	EA
3		BEARING	2.0	EA
4		IDLER GEAR	1.0	EA
5		BEARING	1.0	EA
6		SPACER	1.0	EA
7		STAKE NUT	1.0	EA
8		WASHER	1.0	EA
9		FLANGE	1.0	EA
10		OIL SEAL	1.0	EA
11		BEARING	1.0	EA
12		SPACER KIT	1.0	EA
13		BEARING	1.0	EA
14		GEAR	1.0	EA
15		PILOT BEARING	1.0	EA
16		OIL SEAL	1.0	EA
17		SPACER	1.0	EA
18		SLEEVE	1.0	EA
19		SYNCHRONISER ASSEMBLY	2.0	EA
20		GEAR	1.0	EA
21		MAINSHAFT	1.0	EA
22		BEARING	1.0	EA
23		SHIM KIT	1.0	EA
24		SPACER	1.0	EA



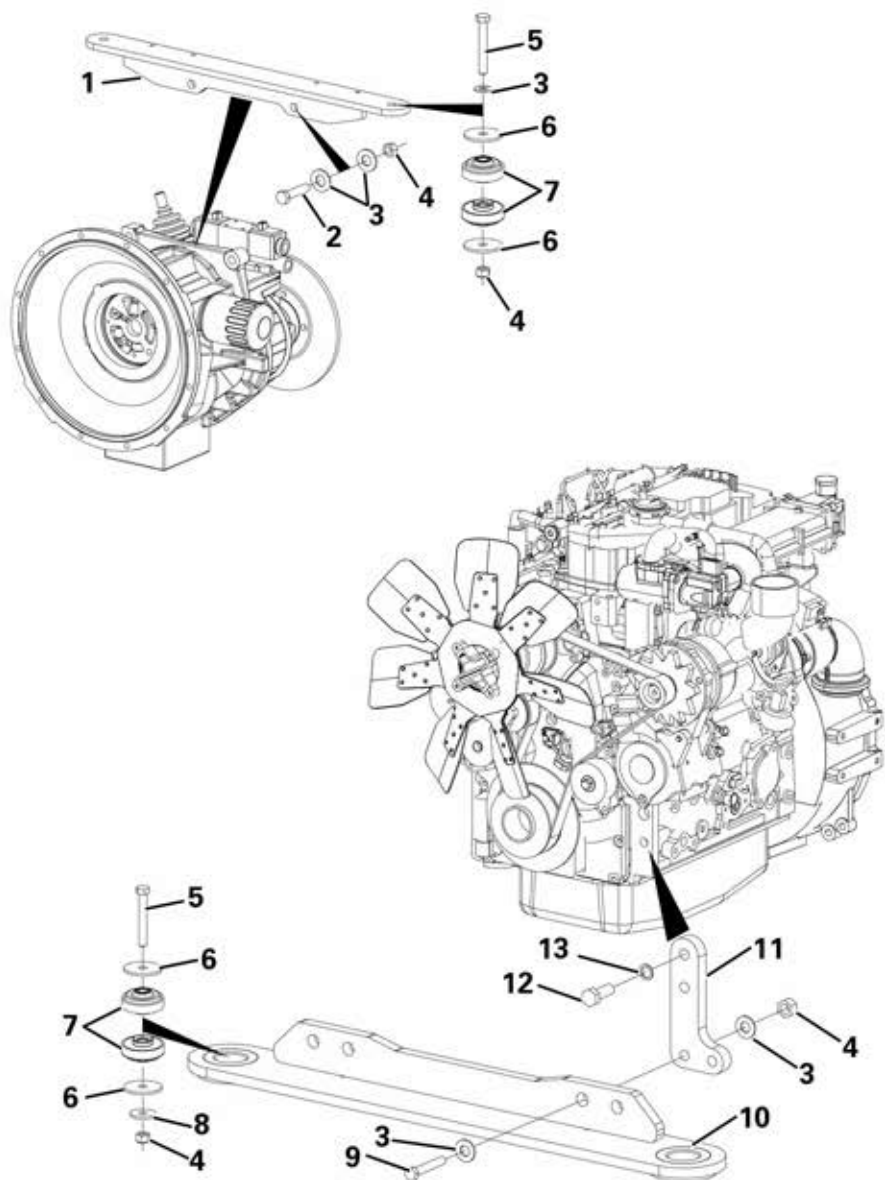
TRANSMISSION INTERNAL

Item	Part No.	Description	Qty	U/M
	25	BOLT	4.0	EA
	26	END COVER	1.0	EA
	27	GASKET	1.0	EA
	28	SPACER	1.0	EA
	29	SHIM KIT	1.0	EA
	30	TAPER ROLLER BEARING	2.0	EA
	31	LAYSHAFT	1.0	EA
	32	GEAR	1.0	EA
	33	SLEEVE	1.0	EA
	34	BEARING	2.0	EA
	35	BEARING	1.0	EA
	36	GEAR	1.0	EA
	37	SPACER	1.0	EA



TRANSMISSION REVERSE UNIT

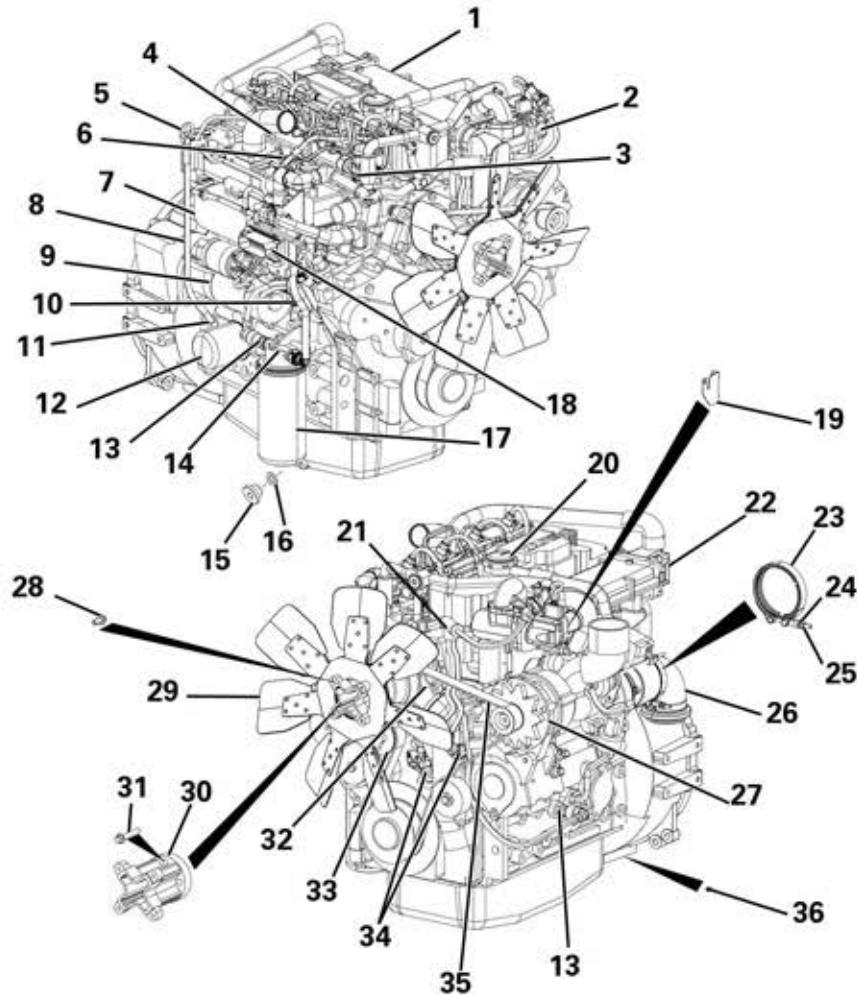
Item	Part No.	Description	Qty	U/M
1		REVERSER ASSY	1.0	EA
2		TAPER ROLLER BEARING	2.0	EA
3		THRUST WASHER	2.0	EA
4		THRUST BEARING	4.0	EA
5		THRUST WASHER	4.0	EA
6		CIRCLIP	2.0	EA
7		SHIM	A/R	EA
8		BEARING	2.0	EA
9		GEAR & PLATE ASSY	1.0	EA
10		THRUST WASHER	2.0	EA
11		PRESSURE PLATE	2.0	EA
12		FRICTION PLATE	12.0	EA
13		COUNTER PLATE	12.0	EA
14		DISC SPRING	6.0	EA
15		CIRCLIP	2.0	EA
16		SPRING RETAINER	2.0	EA
17		SPRING	2.0	EA
18		'O' RING	2.0	EA
19		OIL BAFFLE	2.0	EA
20		LINER	2.0	EA
21		PISTON	2.0	EA
22		O RING	2.0	EA
23		CLUTCH HOUSING	1.0	EA
24		SEAL RING	4.0	EA
25		GEAR & PLATE ASSY	1.0	EA
26		SHIM KIT	1.0	EA



ENGINE AND GEARBOX MOUNTINGS

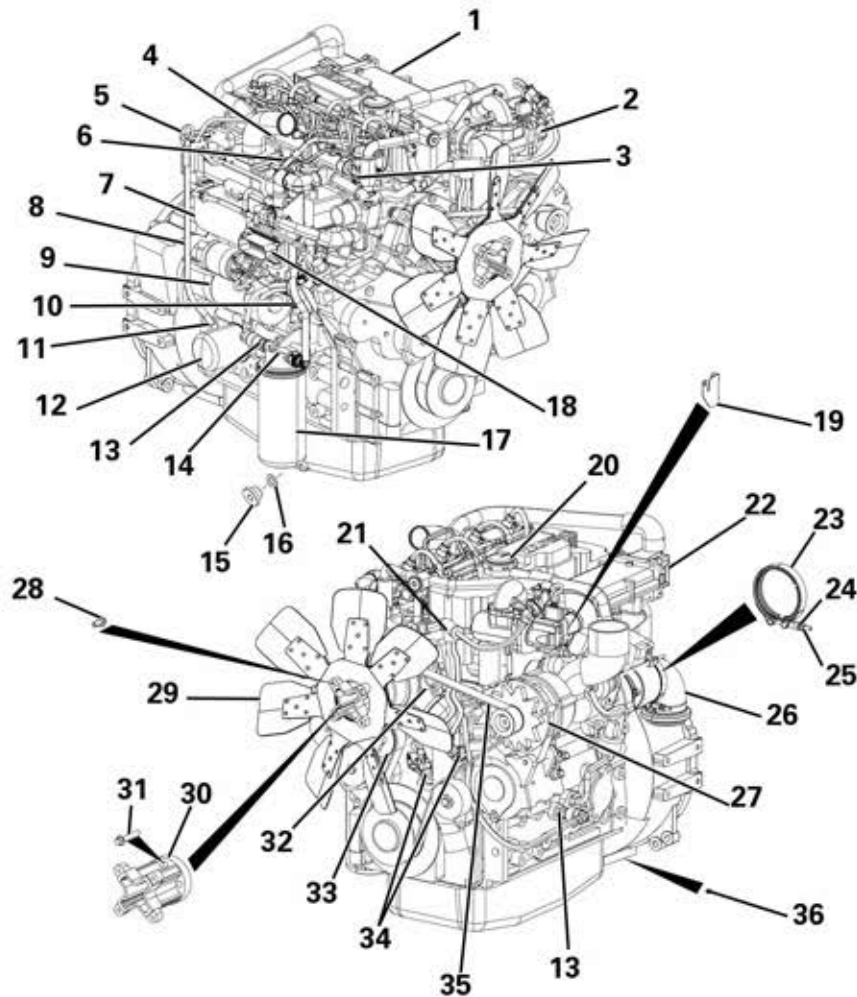
Item	Part No.	Description	Qty	U/M
1		GEARBOX MOUNTING	1.0	EA
2		BOLT	2.0	EA
3		WASHER	14.0	EA
4		PHILIDAS NUT	10.0	EA
5		BOLT	4.0	EA
6		PAD SPACER	8.0	EA
7		ENGINE MOUNTING	4.0	EA
8		HEAVY DUTY WASHER	2.0	EA
9		BOLT	4.0	EA
10		ENGINE MOUNTING	1.0	EA
11		SPACER BLOCK	2.0	EA
12		BOLT	4.0	EA
13		SCHNORR WASHER	4.0	EA

ENGINE & ACCESSORIES

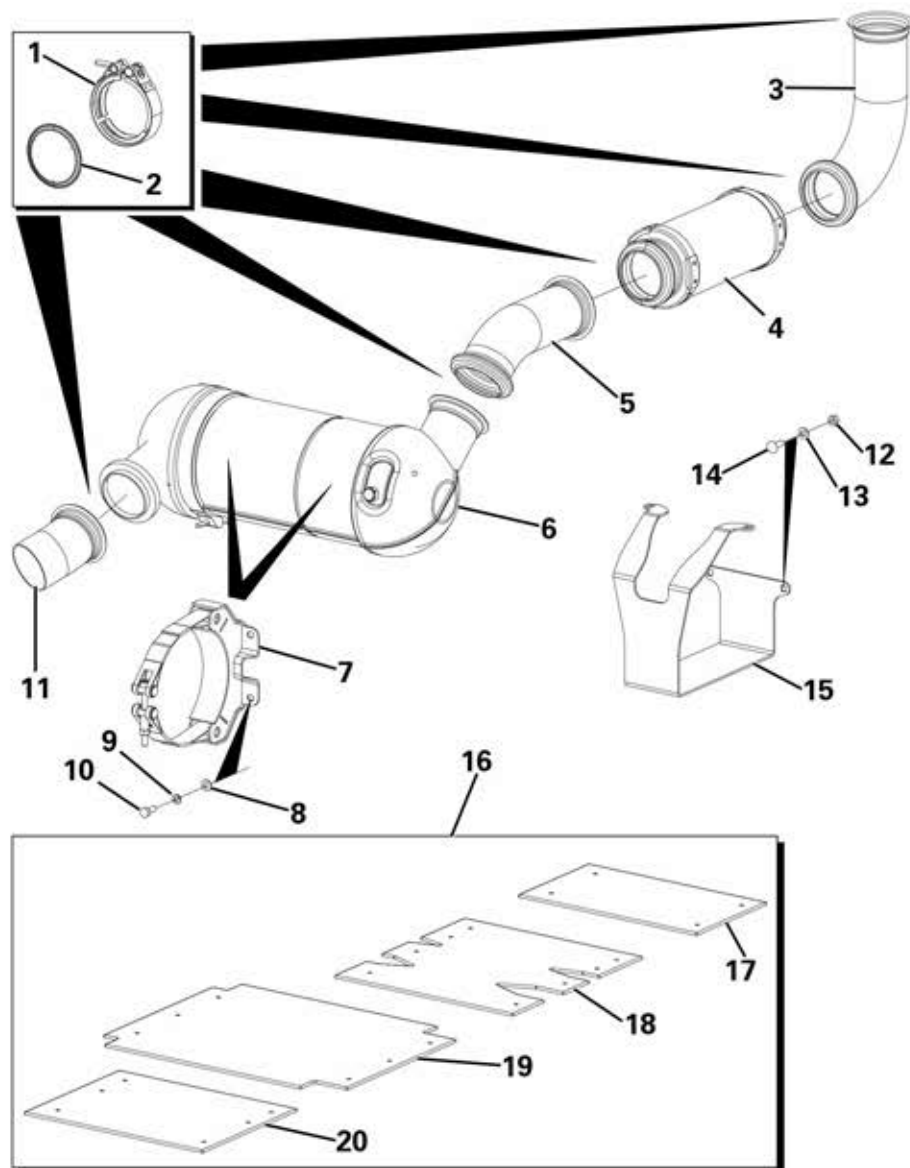


Item	Part No.	Description	Qty	U/M
*	1	ENGINE	1.0	EA
	2	EGR VALVE	1.0	EA
	3	COOLANT TEMPERATURE TRANSMITTER	1.0	EA
	4	RAIL PRESSURE SENSOR	1.0	EA
	5	DIPSTICK	1.0	EA
	6	SENSOR - AIR PRESSURE	1.0	EA
	7	ENGINE OIL COOLER	1.0	EA
	8	DIPSTICK TUBE	1.0	EA
	9	STARTER MOTOR	1.0	EA
	10	RELAY - STARTER	1.0	EA
	11	SEAL	1.0	EA
	12	OIL FILTER	1.0	EA
	13	FUEL / OIL TRANSDUCER	2.0	EA
	14	FUEL FILTER ASSEMBLY	1.0	EA
	15	OIL PLUG	1.0	EA
	16	WASHER	1.0	EA
	17	FUEL FILTER ELEMENT	1.0	EA
	18	CENTRAL PLUG	1.0	EA

ENGINE & ACCESSORIES



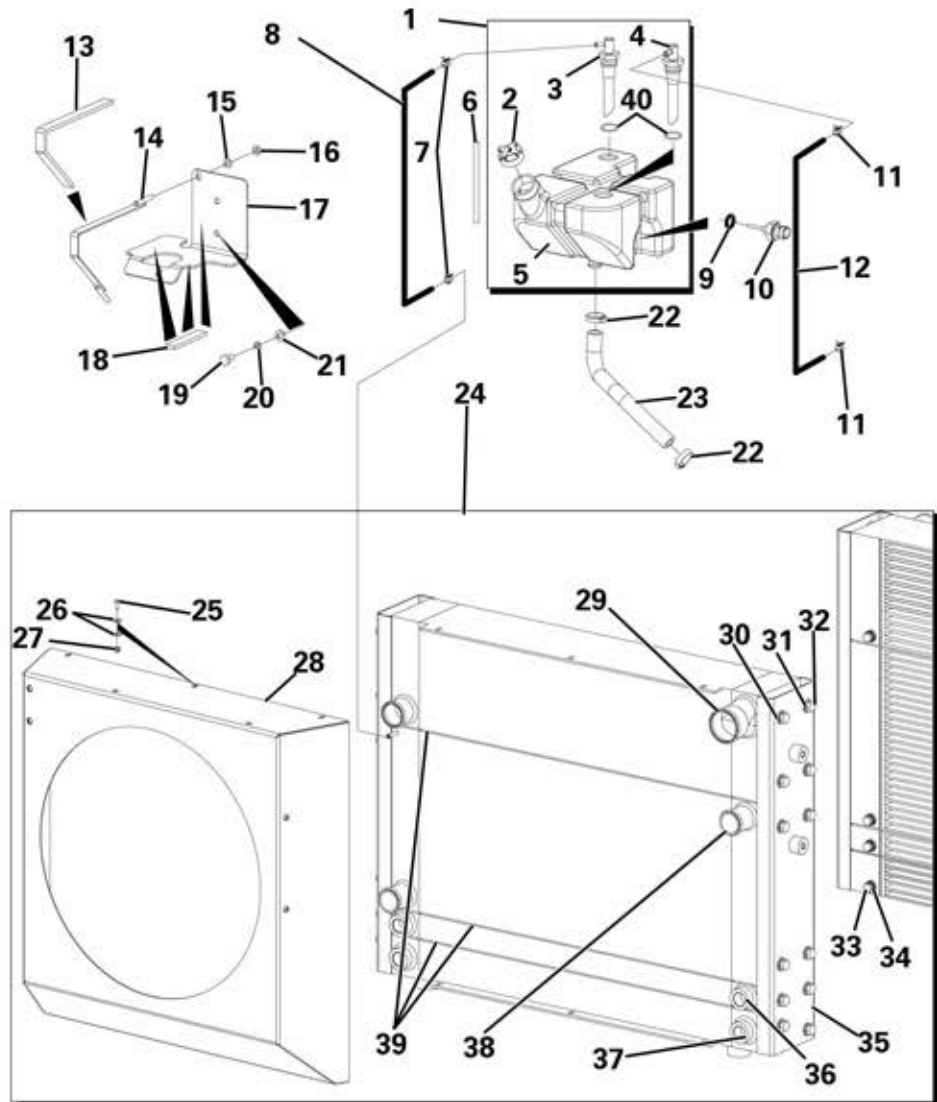
Item	Part No.	Description	Qty	U/M
	19	ENGINE PLUG BRACKET	1.0	EA
	20	OIL CAP	1.0	EA
	21	ENGINE HARNESS - DEUTZ	1.0	EA
	22	EXHAUST VALVE (AFTER COOLER)	1.0	EA
	23	V CLAMP EXHAUST ELBOW	1.0	EA
	24	WASHER FOR V CLAMP	1.0	EA
	25	NUT FOR V CLAMP	1.0	EA
	26	EXHAUST ELBOW	1.0	EA
	27	ALTERNATOR	1.0	EA
	28	BOLT	4.0	EA
	29	FAN	1.0	EA
	30	FAN SPACER	1.0	EA
	31	BOLT	4.0	EA
	32	PUMP - COOLANT	1.0	EA
	33	FAN BELT TENSIONER	1.0	EA
	34	SENSOR - MAG PICK UP	2.0	EA
	35	FANBELT	1.0	EA
	36	GROMMET	1.0	EA



EXHAUST SYSTEM - DOC

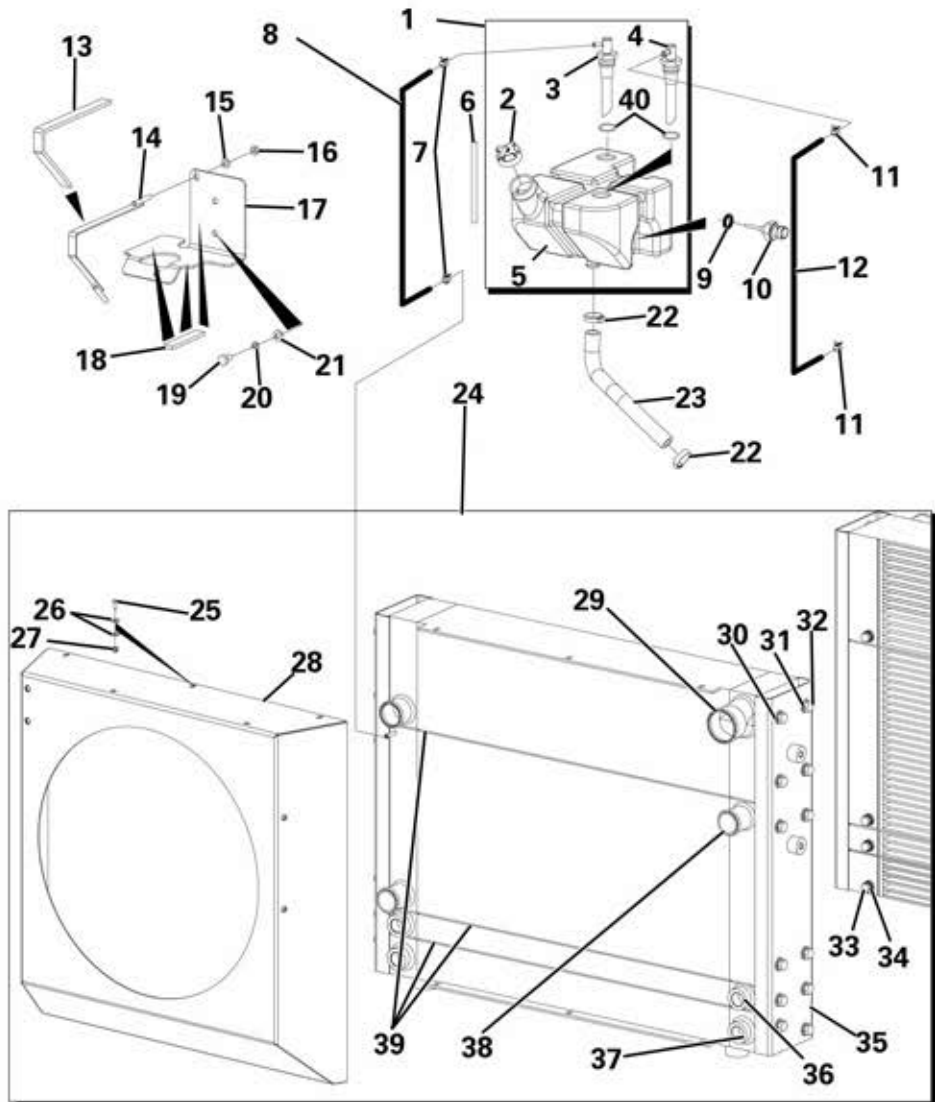
Item	Part No.	Description	Qty	U/M
1		V CLAMP EXHAUST	5.0	EA
2		EXHAUST GASKET	5.0	EA
3		EXHAUST PIPE TURBO	1.0	EA
4		FLEXI EXHAUST	1.0	EA
5		EXHAUST PIPE FILTER	1.0	EA
6		DOC UNIT	1.0	EA
7		MOUNTING STRAP	2.0	EA
8		SPRING WASHER	8.0	EA
9		WASHER	8.0	EA
10		SETSCREW	8.0	EA
11		EXHAUST TAIL PIPE	1.0	EA
12		NUT STOVER	4.0	EA
13		WASHER	4.0	EA
14		CUP SQUARE COACH BOLT	4.0	EA
15		PROTECTIVE COVER	1.0	EA
16		EXHAUST HEAT SHIELD KIT	1.0	EA
17		EXHAUST HEAT JACKET CAST ELBOW	1.0	EA
18		EXHAUST HEAT JACKET TURBO TO FLEX	1.0	EA
19		EXHAUST HEAT JACKET FLEX	1.0	EA
20		EXHAUST HEAT JACKET FLEX TO FILTER	1.0	EA

RADIATOR ASSEMBLY



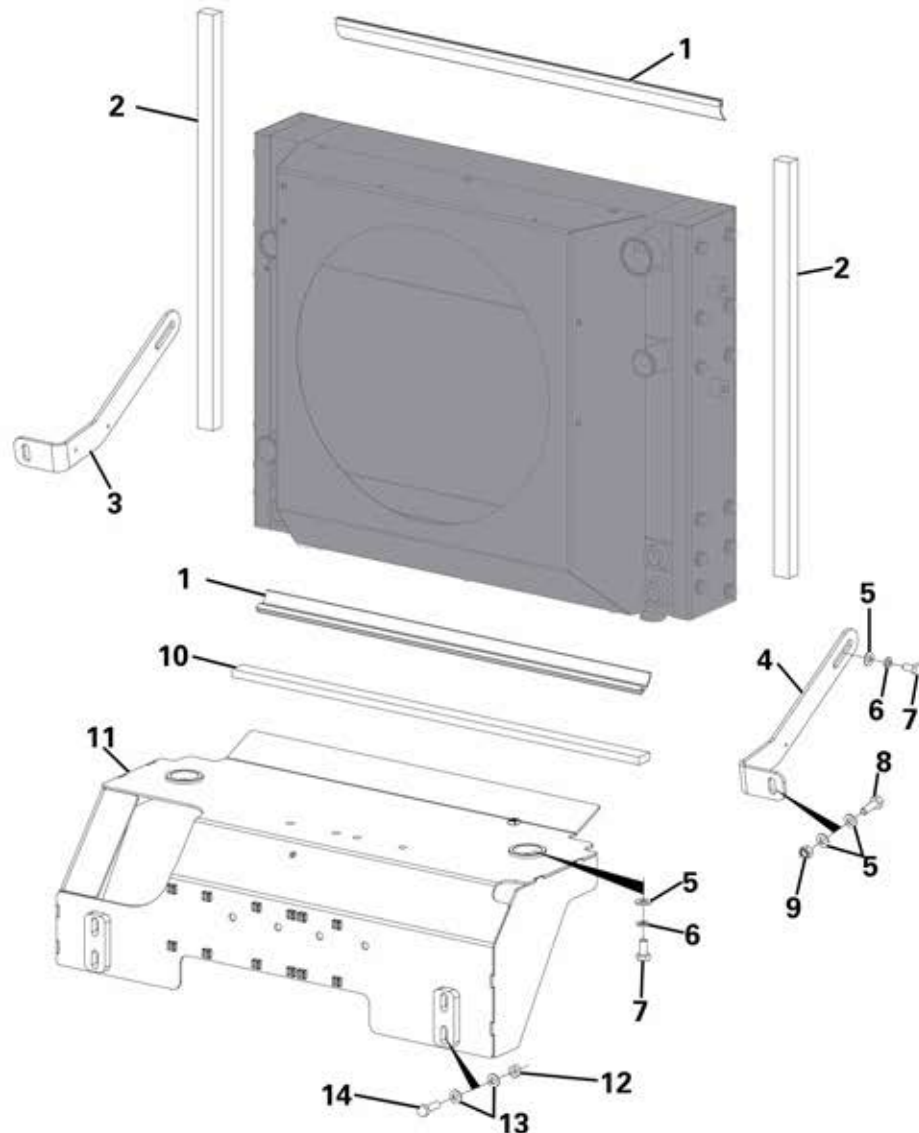
Item	Part No.	Description	Qty	U/M
1		EXPANSION TANK ASSY	1.0	EA
2		EXPANSION TANK CAP	1.0	EA
3		RETURN ELBOW - RADIATOR	1.0	EA
4		RETURN ELBOW - ENGINE	1.0	EA
5		EXPANSION TANK	1.0	EA
6		RADIATOR OVERFLOW PIPE	1.0	EA
7		SPRING BAND CLAMP	2.0	EA
8		HOSE EXPANSION TANK TO RADIATOR	1.0	EA
9		DOWTY WASHER	1.0	EA
10		COOLANT LEVEL SWITCH	1.0	EA
11		SPRING BAND CLAMP	2.0	EA
12		HOSE EXPANSION TANK TO ENGINE	1.0	EA
13		FOAM STRIP	1.0	EA
14		EXPANSION BOTTLE STRAP	1.0	EA
15		WASHER	2.0	EA
16		NUT	2.0	EA
17		EXPANSION BOTTLE BRACKET	1.0	EA
18		FOAM STRIP	3.0	EA
19		SET SCREW	2.0	EA
20		SPRING WASHER	2.0	EA
21		WASHER	2.0	EA
22		JUBILEE CLIP	2.0	EA
23		EXPANSION BOTTLE HOSE	1.0	EA

RADIATOR ASSEMBLY

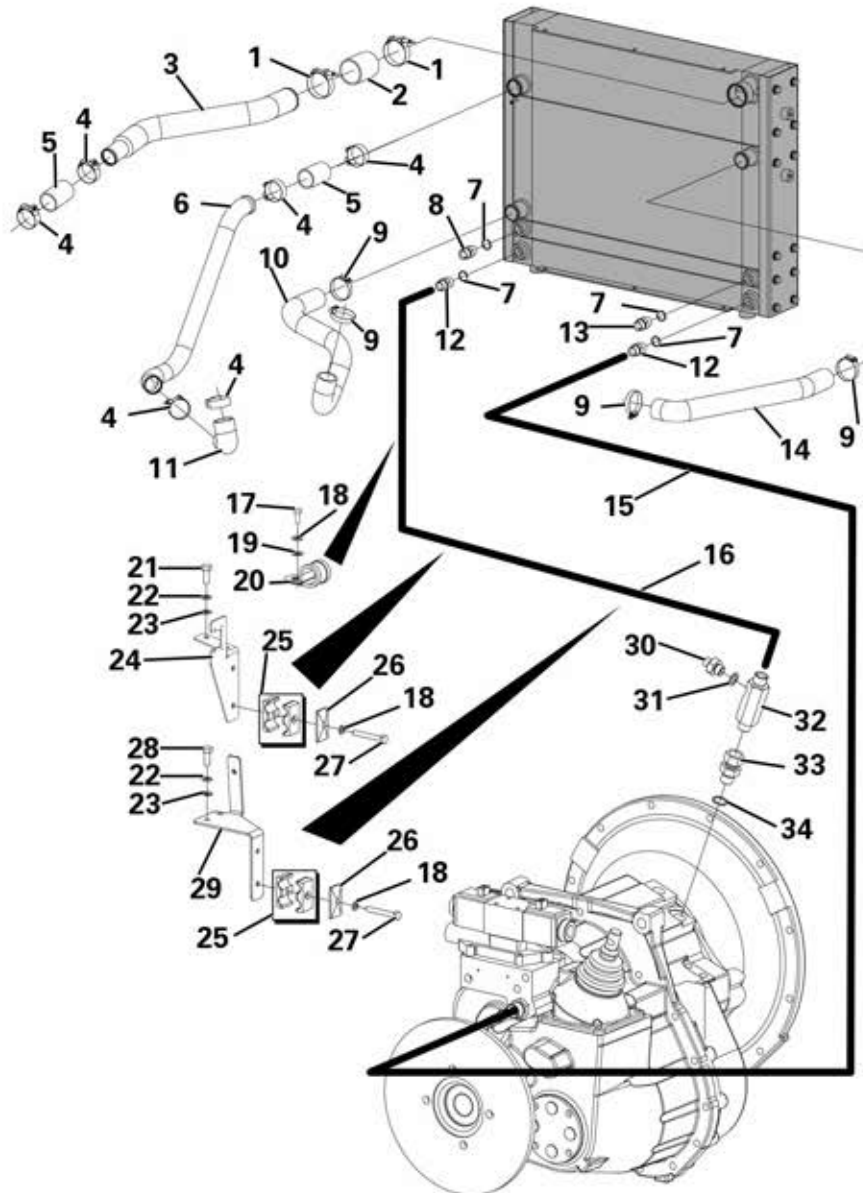


Item	Part No.	Description	Qty	U/M
	24	RADIATOR ASSEMBLY	1.0	EA
	25	SET SCREW	6.0	EA
	26	WASHER	12.0	EA
	27	NYLOC NUT	6.0	EA
	28	FAN COWL	1.0	EA
	29	CHARGE AIR COOLER	1.0	EA
	30	WASHER	24.0	EA
	31	SPRING WASHER	24.0	EA
	32	SET SCREW	24.0	EA
	33	DRAIN PLUG	4.0	EA
	* 34	DOWTY WASHER	4.0	EA
	35	SIDE FRAME	2.0	EA
	36	OIL COOLER	1.0	EA
	37	TRANSMISSION COOLER	1.0	EA
	38	WATER COOLER	1.0	EA
	39	FOAM STRIP	1.0	EA
	40	O RING	2.0	EA

RADIATORS SEALS AND FIXINGS

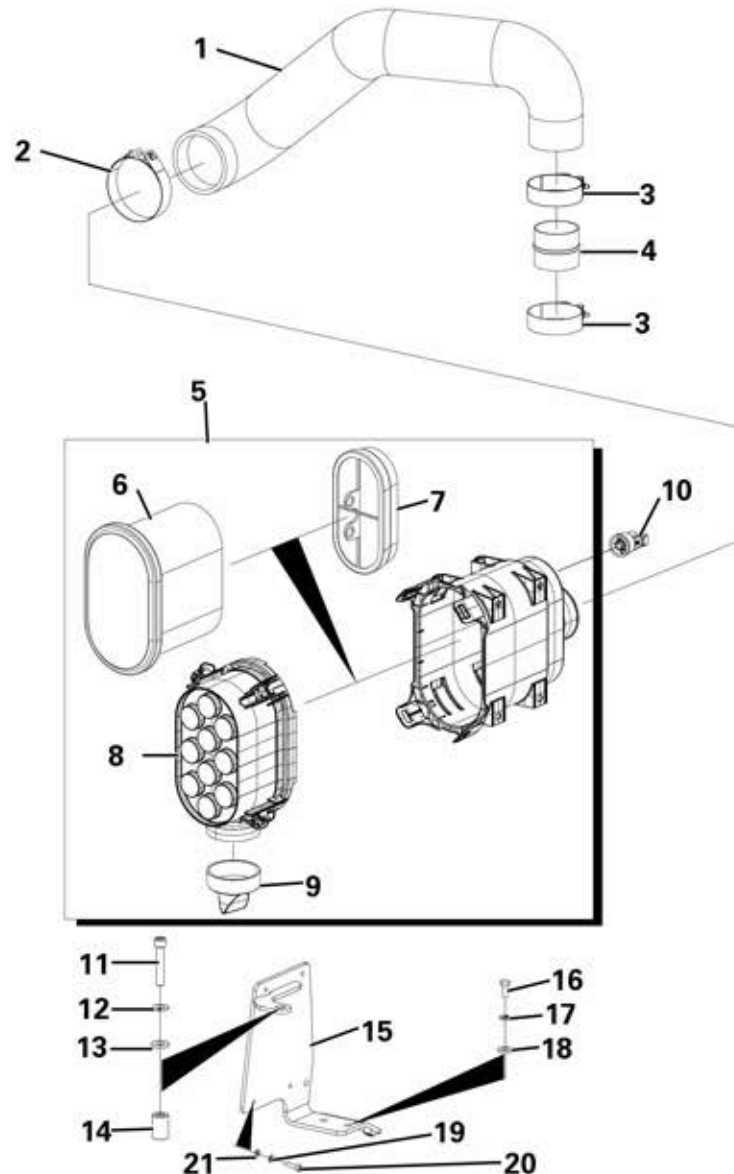


Item	Part No.	Description	Qty	U/M
1		SEAL (TOP & BOTTOM)	2.0	EA
2		RADIATOR SIDE SEAL	2.0	EA
3		RADIATOR STAY RH	1.0	EA
4		RADIATOR STAY LH	1.0	EA
5		HD WASHER	8.0	EA
6		SPRING WASHER	4.0	EA
7		SET SCREW	4.0	EA
8		SET SCREW	2.0	EA
9		STOVER NUT	2.0	EA
10		RADIATOR BOTTOM SEAL	1.0	EA
11		RADIATOR MOUNTING ASSY	1.0	EA
12		STOVER NUT	4.0	EA
13		HEAVY DUTY WASHER	8.0	EA
14		SET SCREW	4.0	EA



RADIATOR HOSES

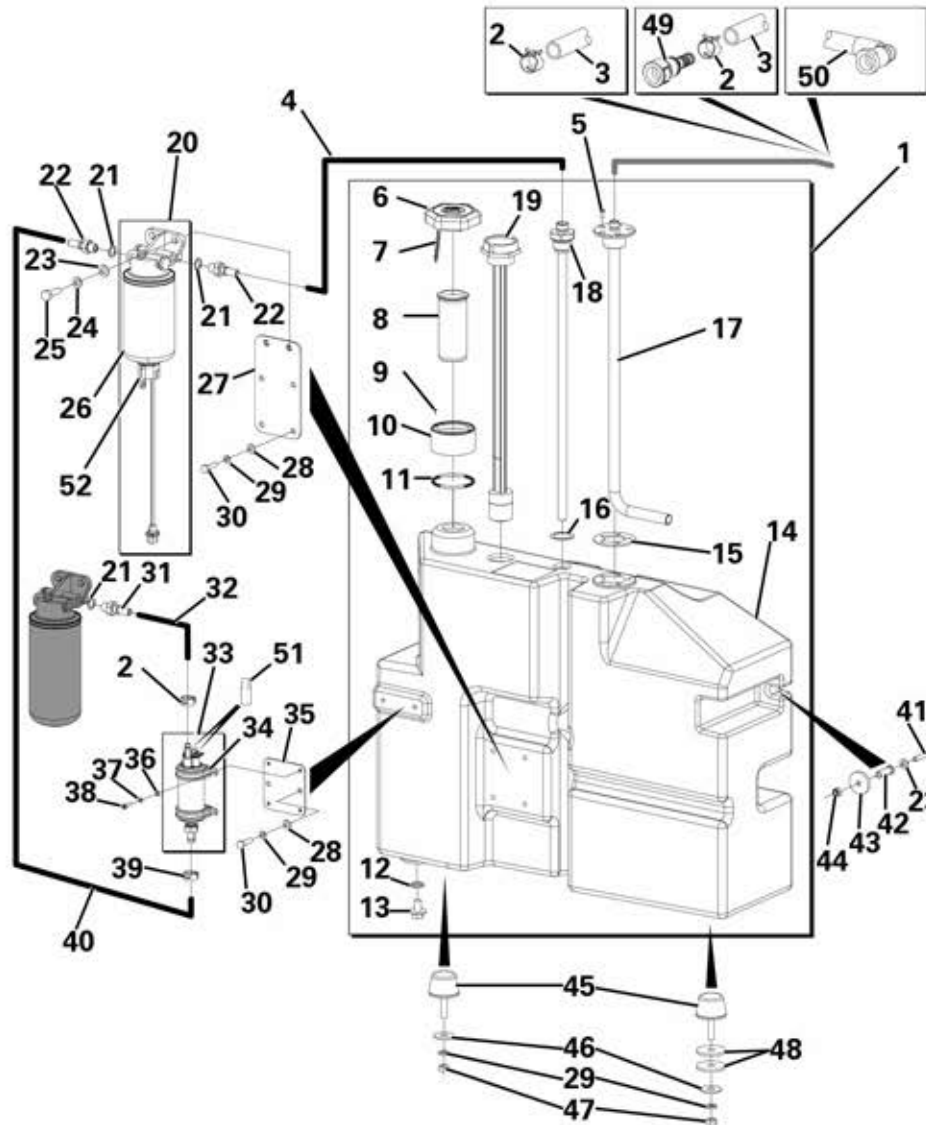
Item	Part No.	Description	Qty	U/M
	1	T-BOLT CLAMP	2.0	EA
	2	SILICONE CUFF	1.0	EA
	3	PIPE-DOC	1.0	EA
	4	T-BOLT CLAMP	6.0	EA
	5	SILICONE CUFF	2.0	EA
	6	PIPE - TURBO	1.0	EA
	7	DOWTY WASHER	4.0	EA
	8	ADAPTOR	1.0	EA
	9	JUBILEE CLIP	4.0	EA
	10	BOTTOM RADIATOR HOSE	1.0	EA
	11	PIPE ELBOW	1.0	EA
	12	ADAPTOR	2.0	EA
	13	ADAPTOR	1.0	EA
	14	TOP RADIATOR HOSE	1.0	EA
	15	HYD HOSE	1.0	EA
	16	HYD HOSE	1.0	EA
	17	SET SCREW	1.0	EA
	18	SPRING WASHER	3.0	EA
	19	WASHER PLAIN	1.0	EA
	20	P CLIP	1.0	EA
	21	SET SCREW	2.0	EA
	22	SPRING WASHER	4.0	EA
	23	WASHER PLAIN	4.0	EA
	24	REAR TRANS. PIPE BRACKET	1.0	EA
	25	PIPE CLAMP	2.0	EA
	26	COVER PLATE	2.0	EA
	27	BOLT	2.0	EA
	28	SET SCREW	2.0	EA
	29	FRONT TRANS. PIPE BRACKET	1.0	EA
	30	TRANS. OIL TEMP. SWITCH	1.0	EA
	31	DOWTY WASHER	1.0	EA
	32	GEARBOX TEMP. SENSOR FITTING	1.0	EA
	33	ADAPTOR	1.0	EA
	34	DOWTY WASHER	1.0	EA



AIR CLEANER ASSEMBLY

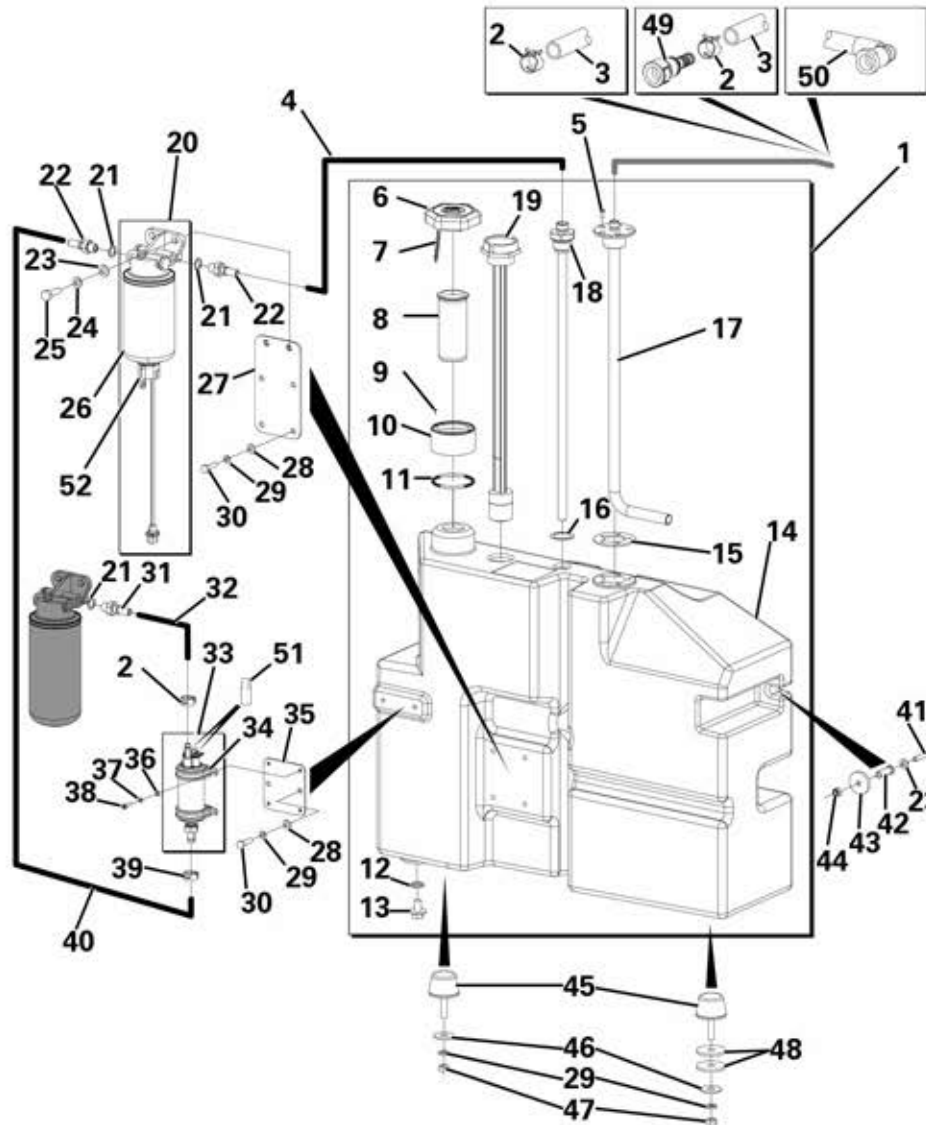
Item	Part No.	Description	Qty	U/M
1		AIR CLEANER HOSE - DOC	1.0	EA
2		T BOLT CLAMP	1.0	EA
3		T BOLT CLAMP	2.0	EA
4		AIR CLEANER HOSE ADAPTOR	1.0	EA
5		AIR CLEANER	1.0	EA
6		FILTER ASSY	1.0	EA
7		SAFETY ELEMENT ASSY	1.0	EA
8		PRE CLEANER ASSY	1.0	EA
9		VALVE	1.0	EA
10		ELECTRICAL RESTRICTION INDICATOR	1.0	EA
11		SOCKET HEAD CAP SCREW	1.0	EA
12		WASHER	1.0	EA
13		SPRING WASHER	1.0	EA
14		SPACER TUBE	1.0	EA
15		AIR CLEANER MTG BRACKET	1.0	EA
16		SET SCREW	2.0	EA
17		SPRING WASHER	2.0	EA
18		WASHER	2.0	EA
19		SPRING WASHER	4.0	EA
20		SOCKET HEAD CAP SCREW	4.0	EA
21		WASHER	4.0	EA

FUEL TANK ASSEMBLY



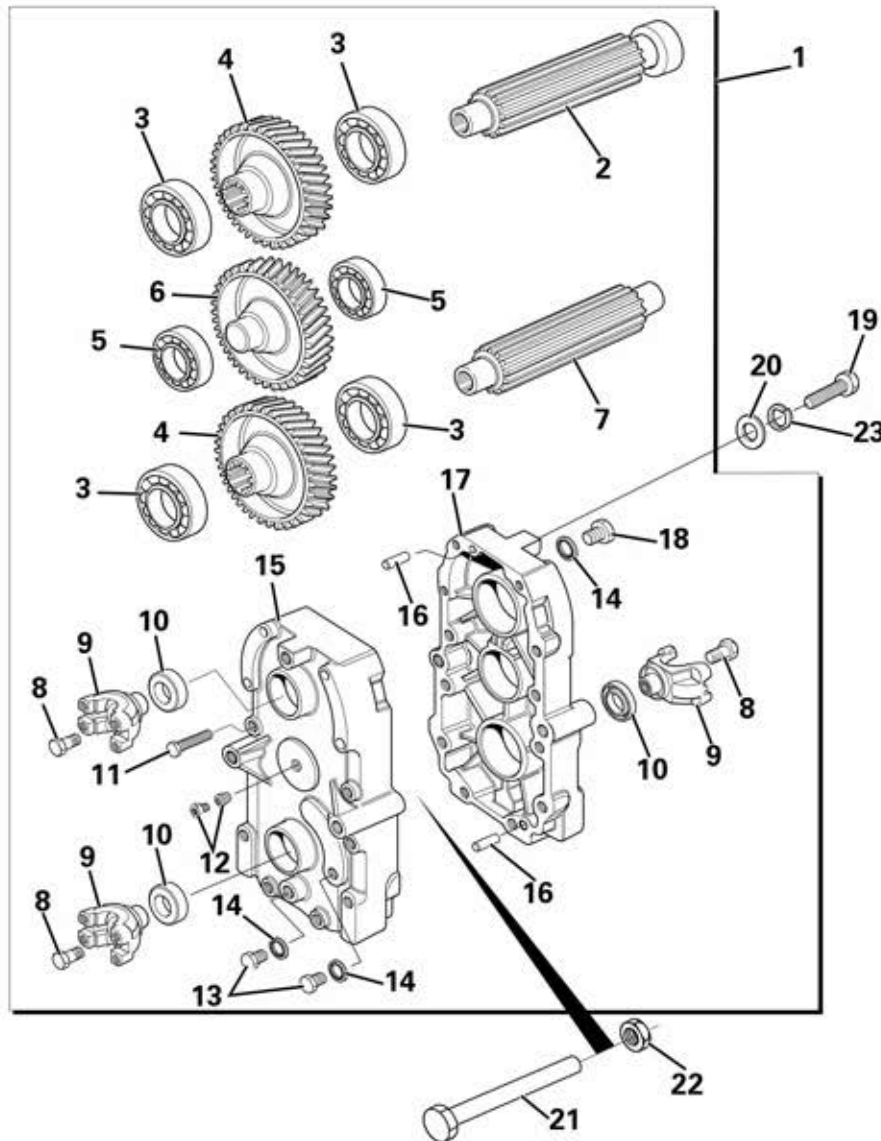
Item	Part No.	Description	Qty	U/M
1		FUEL TANK ASSY	1.0	EA
2		SPRING BAND CLAMP	2.0	EA
3		FUEL HOSE	1.0	EA
4		FUEL HOSE	1.0	EA
5		COUNTERSUNK SET SCREW	5.0	EA
6		FUEL FILLER CAP	1.0	EA
7		FILLER CAP CHAIN	1.0	EA
8		STRAINER	1.0	EA
9		SCREW	4.0	EA
10		FILLER CAP COLLAR	1.0	EA
11		O RING	1.0	EA
12		O RING	1.0	EA
13		DRAIN PLUG	1.0	EA
14		FUEL TANK	1.0	EA
15		SEAL	1.0	EA
16		GASKET	1.0	EA
17		FUEL RETURN PIPE	1.0	EA
18		FUEL SUCTION PIPE	1.0	EA
19		LEVEL GAUGE	1.0	EA
20		PRE FUEL FILTER	1.0	EA
21		COPPER WASHER	3.0	EA
22		ADAPTOR SPIGOT	2.0	EA
23		WASHER	4.0	EA
24		SPRING WASHER	2.0	EA
25		SET SCREW	2.0	EA
26		FILTER - PRIMARY	1.0	EA
27		FUEL FILTER MOUNTING PLATE	1.0	EA
28		WASHER	6.0	EA
29		SPRING WASHER	8.0	EA
30		SET SCREW	6.0	EA

FUEL TANK ASSEMBLY



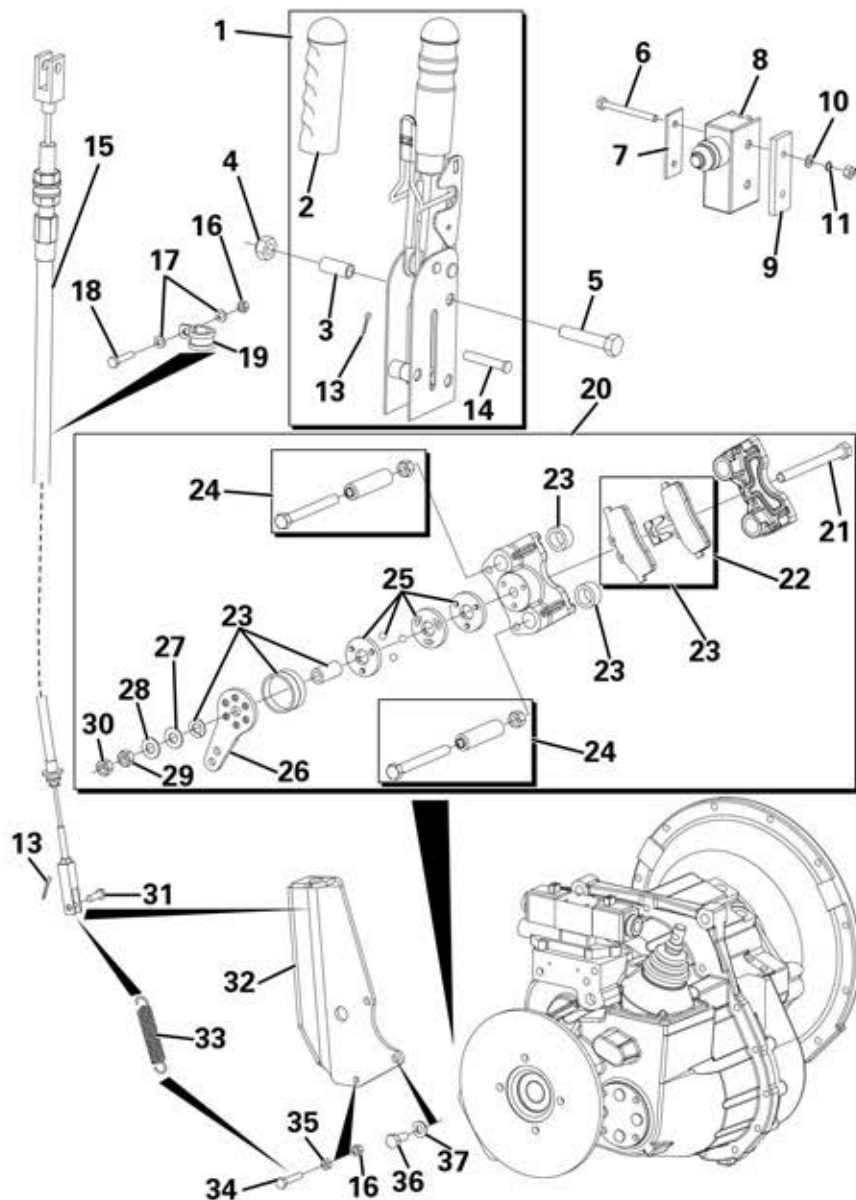
Item	Part No.	Description	Qty	U/M
31		ADAPTOR SPIGOT	1.0	EA
32		FUEL HOSE	1.0	EA
33		FUEL PUMP	1.0	EA
34		STRAPS FUEL PUMP	2.0	EA
35		FUEL PUMP MOUNTING PLATE	1.0	EA
36		WASHER	4.0	EA
37		SPRING WASHER	4.0	EA
38		SOCKET HEAD CAP SCREW	4.0	EA
39		SPRING BAND CLAMP	1.0	EA
40		FUEL HOSE	1.0	EA
41		BOLT	2.0	EA
42		TANK SPACER	2.0	EA
43		RUBBER BACKED WASHER	2.0	EA
44		NUT STOVER	2.0	EA
45		RUBBER BUFFER	2.0	EA
46		HEAVY DUTY WASHER	2.0	EA
47		NUT	2.0	EA
48		WASHER HEAVY DUTY	2.0	EA
* 49		STRAIGHT QUICK CONNECTOR	1.0	EA
* 50		FUEL HOSE	1.0	EA
* 51		PVC FLEXIBLE CAP	2.0	EA
52		FILTER SENSOR	1.0	EA

TRANSFER BOX ASSEMBLY



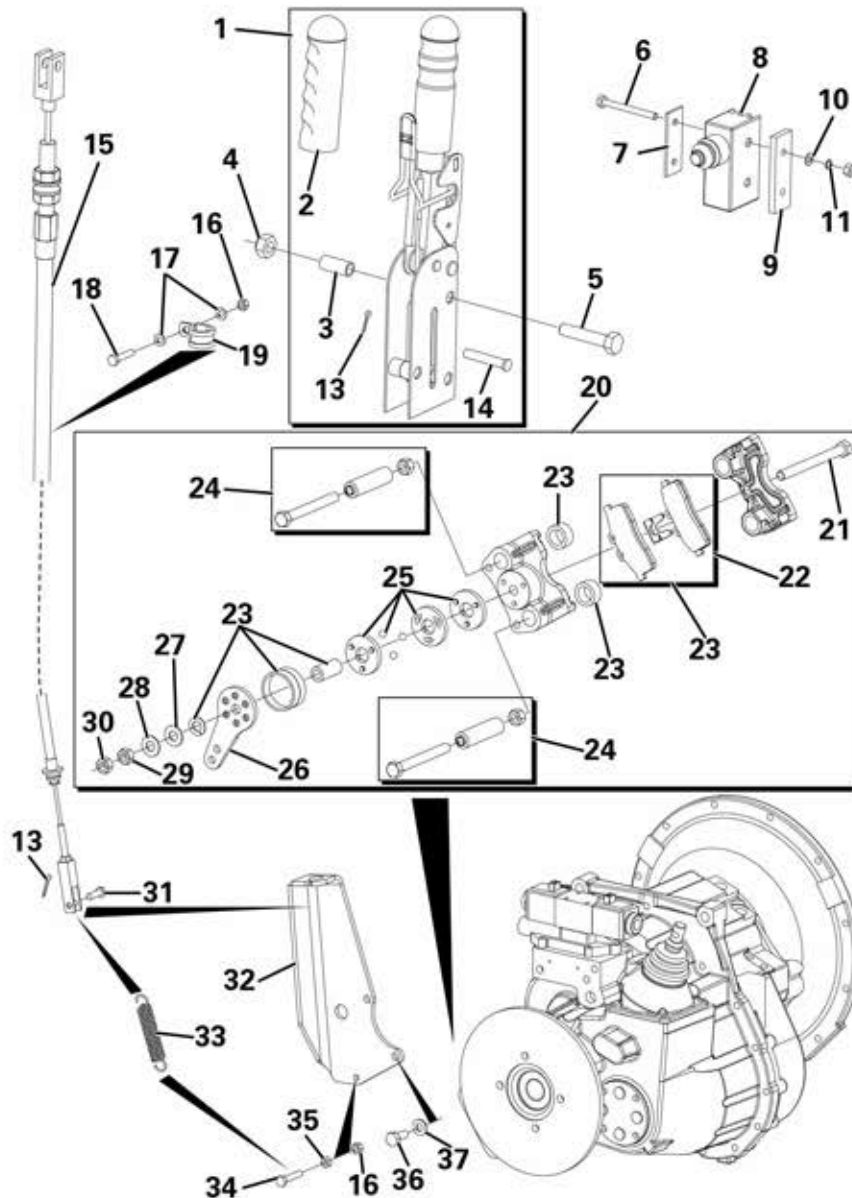
Item	Part No.	Description	Qty	U/M
1		TRANSFER CASE ASSEMBLY	1.0	EA
2		INPUT SHAFT	1.0	EA
3		BALL BEARING	4.0	EA
4		GEAR	2.0	EA
5		BEARING TAPER ROLLER	2.0	EA
6		IDLER GEAR	1.0	EA
7		OUTPUT SHAFT	1.0	EA
8		BOLT	3.0	EA
9		YOKE FLANGE COUPLING	3.0	EA
10		TRIPLE LIP SEAL	3.0	EA
11		BOLT HEX.HEAD	12.0	EA
12		PLUG	1.0	EA
13		PLUG	2.0	EA
14		SEAL	3.0	EA
15		CASE (FRONT)	1.0	EA
16		DOWEL	2.0	EA
17		CASE (REAR)	1.0	EA
18		PLUG - BREATHER	1.0	EA
19		BOLT	1.0	EA
20		PLAIN WASHER	1.0	EA
21		BOLT	2.0	EA
22		PHILIDAS NUT	2.0	EA
23		SPRING WASHER	1.0	EA

HANDBRAKE ASSEMBLY

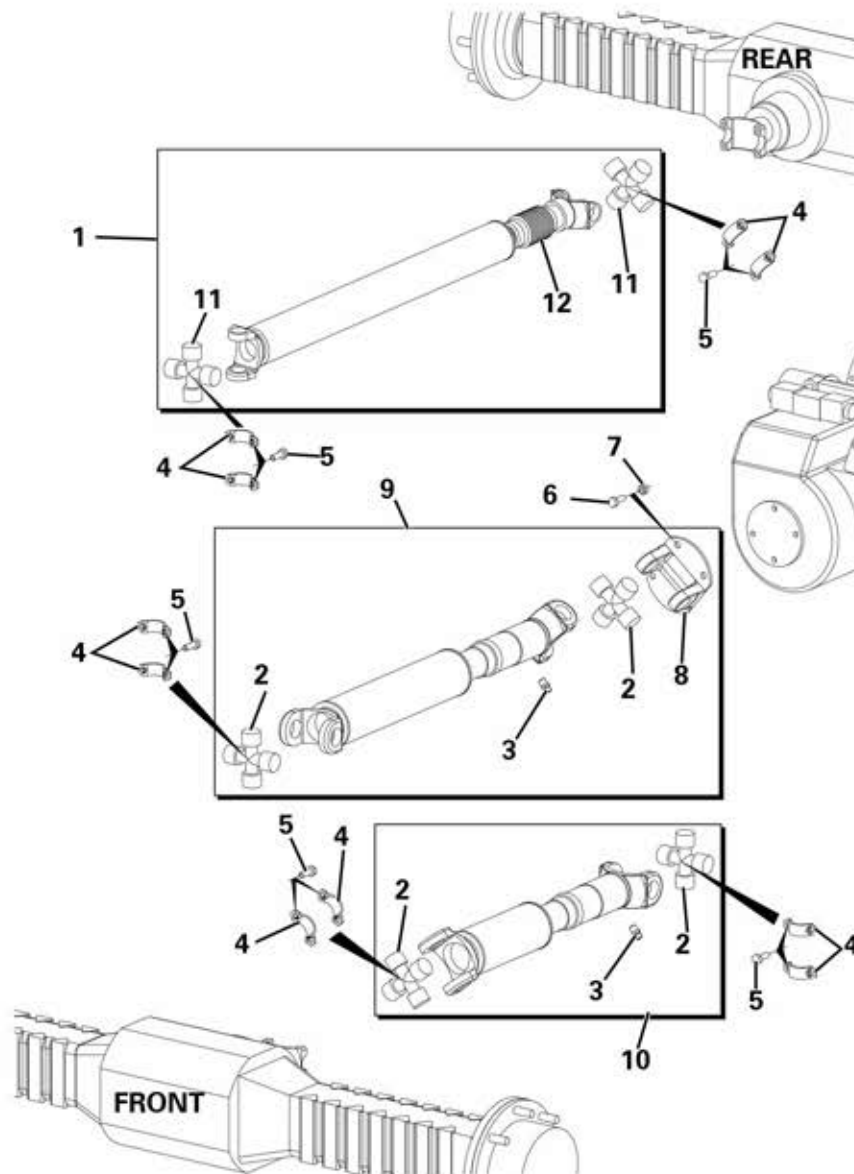


Item	Part No.	Description	Qty	U/M
1		OVERCENTRE HANDBRAKE	1.0	EA
2		GRIP	1.0	EA
3		SPACER	2.0	EA
4		PHILIDAS NUT	2.0	EA
5		BOLT	2.0	EA
6		SET SCREW	2.0	EA
7		MICRO SWITCH BACKING PLATE	1.0	EA
8		MICRO SWITCH	1.0	EA
9		MICRO SWITCH SPACER	1.0	EA
10		WASHER	2.0	EA
11		SPRING WASHER	2.0	EA
12		NUT	2.0	EA
13		SPLIT PIN	2.0	EA
14		CLEVIS PIN	1.0	EA
15		HANDBRAKE CABLE	1.0	EA
16		NYLOC NUT	2.0	EA
17		WASHER	2.0	EA
18		SET SCREW	1.0	EA
19		P CLIP	1.0	EA

HANDBRAKE ASSEMBLY



Item	Part No.	Description	Qty	U/M
20		HANDBRAKE CALIPER	1.0	EA
21		ADJUSTMENT BOLT	1.0	EA
22		BRAKE PAD ASSEMBLY	1.0	EA
23		WEAR KIT INC BRAKE PADS	1.0	EA
24		BOLT NUT & SLEEVE	2.0	EA
25		CAM, BALL RETAINER & BEARING	2.0	EA
26		LEVER	1.0	EA
27		STAINLESS STEEL WASHER	1.0	EA
28		HARDENED WASHER	1.0	EA
29		ADJUSTMENT NUT	1.0	EA
30		JAM ADJUSTMENT NUT	1.0	EA
31		CLEVIS PIN	1.0	EA
32		CABLE BRACKET	1.0	EA
33		TENSION SPRING	1.0	EA
34		BOLT	1.0	EA
35		NUT	1.0	EA
36		SET SCREW	2.0	EA
37		WASHER	2.0	EA

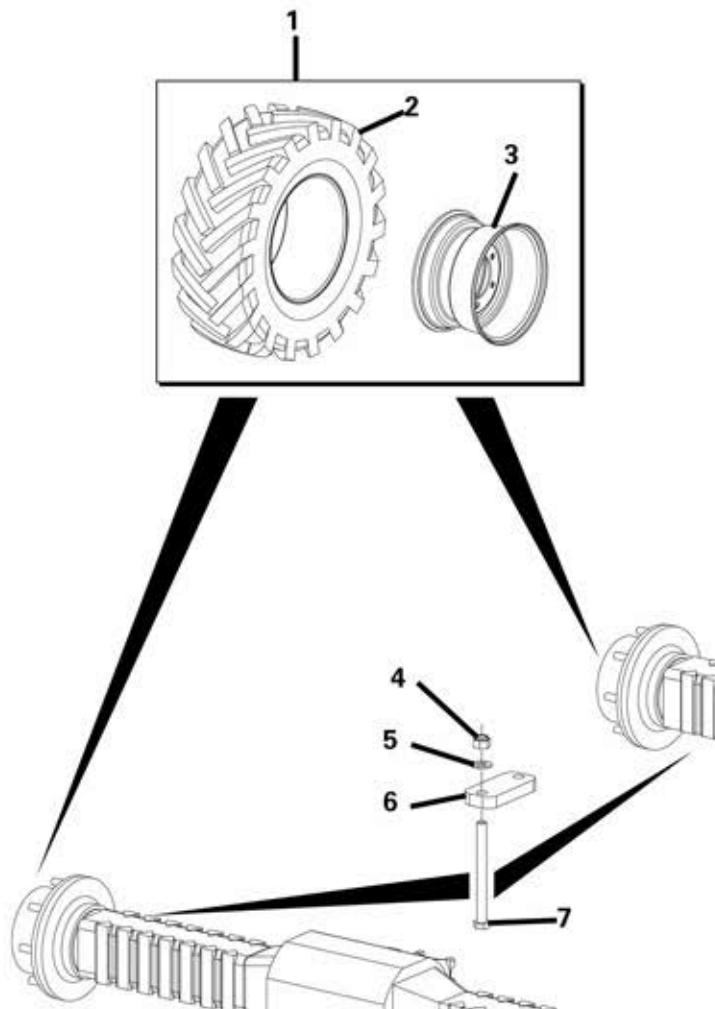


PROPSHAFTS

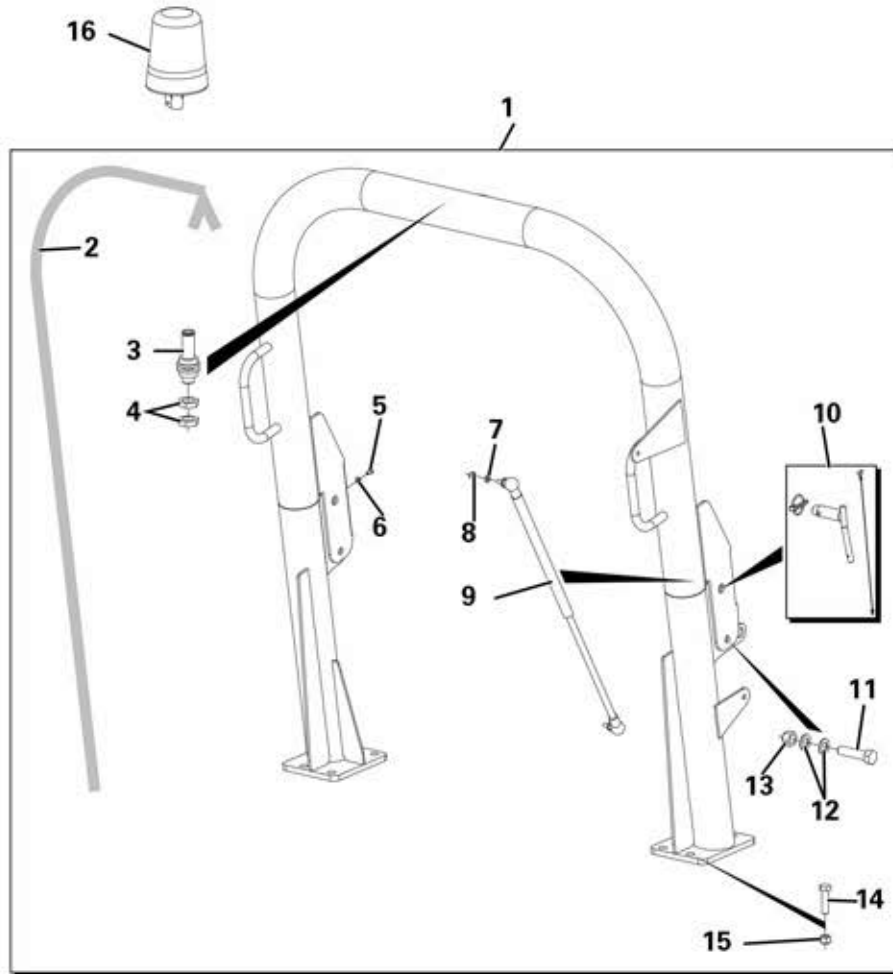
Item	Part No.	Description	Qty	U/M
1		PROPSHAFT REAR	1.0	EA
2		U/J KIT	4.0	EA
3		GREASE NIPPLE	2.0	EA
4		JOINT STRAP	10.0	EA
5		CLAMP BOLT	20.0	EA
6		PROPSHAFT BOLT	4.0	EA
7		PHILIDAS NUT	4.0	EA
8		FLANGE	1.0	EA
9		PROPSHAFT TOP	1.0	EA
10		PROPSHAFT FRONT	1.0	EA
11		U/J KIT	2.0	EA
12		GAITER KIT	1.0	EA

WHEEL & TYRE ASSEMBLY

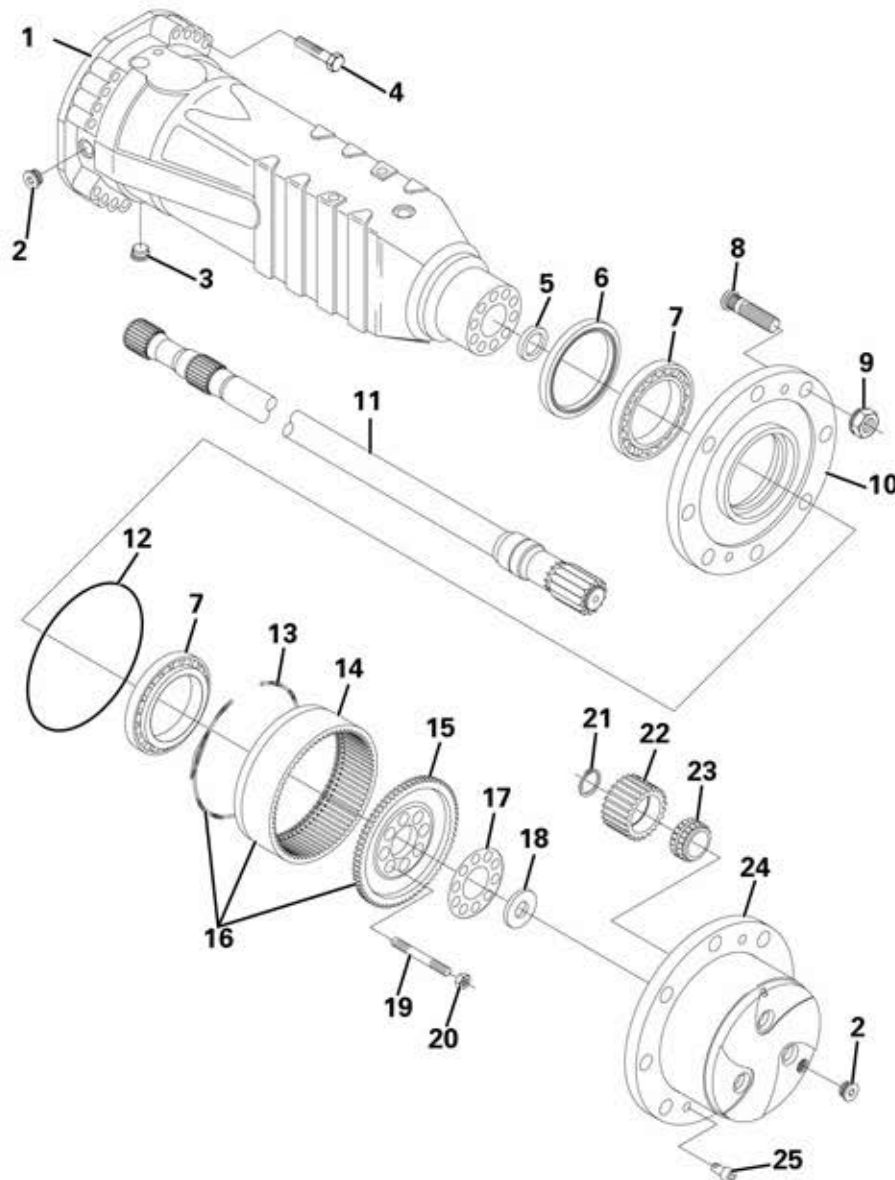
Item	Part No.	Description	Qty	U/M
1		WHEEL ASSY	4.0	EA
2		TYRE	1.0	EA
3		RIM	1.0	EA
4		PHILIDAS NUT	8.0	EA
5		WASHER	8.0	EA
6		CLAMP PLATE	4.0	EA
7		BOLT	8.0	EA



ROPS FRAME ASSEMBLY



Item	Part No.	Description	Qty	U/M
1		ROPS FRAME	1.0	EA
2		HARNES	1.0	EA
3		BEACON STEM	1.0	EA
4		LOCK NUT	2.0	EA
5		SET SCREW	2.0	EA
6		WASHER	2.0	EA
7		SPRING WASHER	2.0	EA
8		NUT	2.0	EA
9		GAS SPRING	1.0	EA
10		ROPS PIN ASSEMBLY	2.0	EA
11		BOLT	2.0	EA
12		WASHER	4.0	EA
13		NYLOC NUT	2.0	EA
14		BOLT	8.0	EA
15		STOVER NUT	8.0	EA
16		ROTATING BEACON	1.0	EA

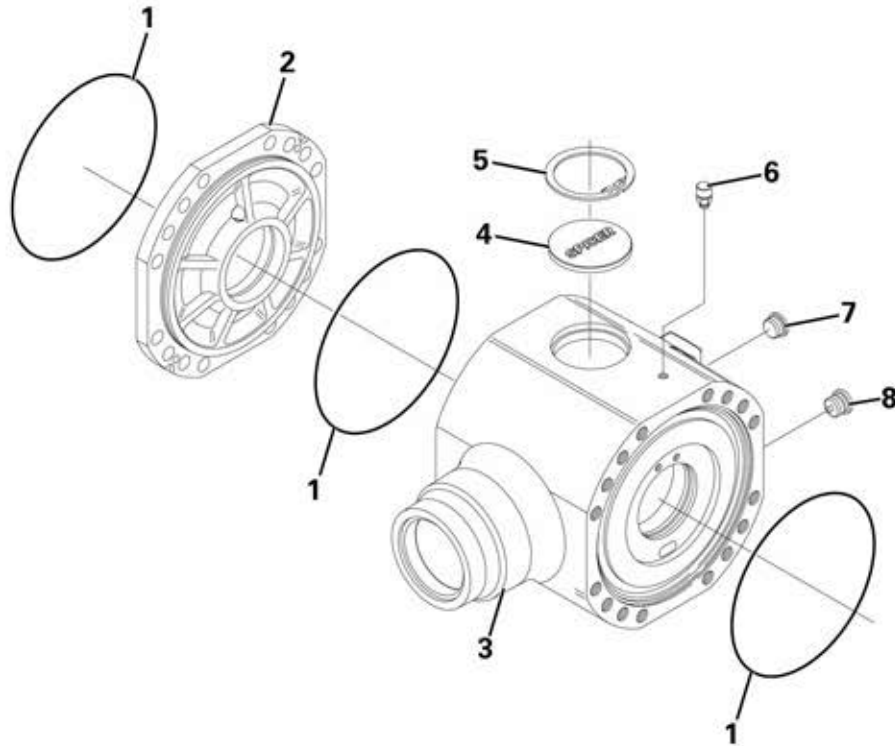


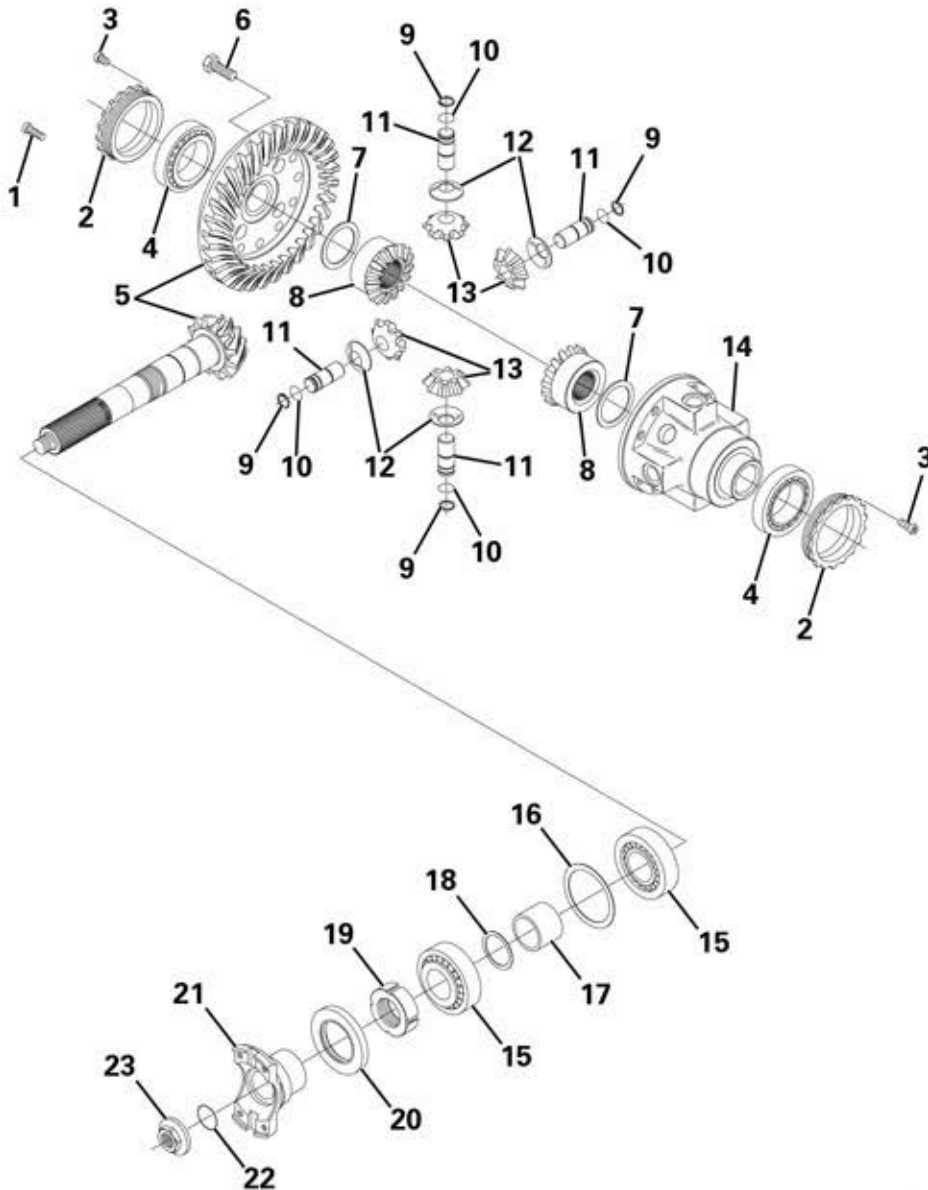
AXLE & HUB REDUCTION

Item	Part No.	Description	Qty	U/M
A		AXLE	2.0	EA
1		AXLE CASE	2.0	EA
2		PLUG	4.0	EA
3		MAGNET PLUG	2.0	EA
4		BOLT	32.0	EA
5		SEAL	2.0	EA
6		SEAL	2.0	EA
7		BEARING	4.0	EA
8		WHEEL STUD	16.0	EA
9		WHEEL NUT	16.0	EA
10		WHEEL HUB	2.0	EA
11		HALF SHAFT	2.0	EA
12		'O' RING	2.0	EA
13		CIRCLIP	2.0	EA
14		RING GEAR	2.0	EA
15		RING GEAR SUPPORT	2.0	EA
16		RING GEAR SUPPORT ASSY	2.0	EA
17		LOCKING PLATE	2.0	EA
18		FRICTION WASHER	2.0	EA
19		STUD	16.0	EA
20		NUT	16.0	EA
21		CIRCLIP	6.0	EA
22		PLANET GEAR	6.0	EA
23		BEARING	6.0	EA
24		PLANET GEAR CARRIER	2.0	EA
25		COUNTERSUNK BOLT	4.0	EA

AXLE - CENTRAL HOUSING

Item	Part No.	Description	Qty	U/M
1		'O' RING	3.0	EA
2		INTERMEDIATE COVER	1.0	EA
3		HOUSING	1.0	EA
4		PLUG	1.0	EA
5		CIRCLIP	1.0	EA
6		VENT	1.0	EA
7		PLUG	1.0	EA
8		MAGNET PLUG	1.0	EA



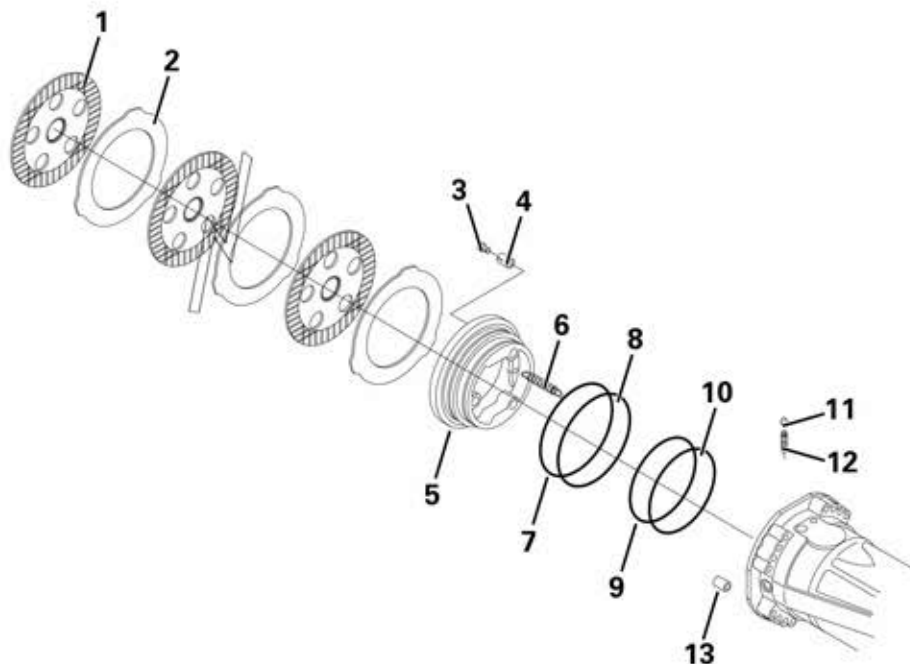


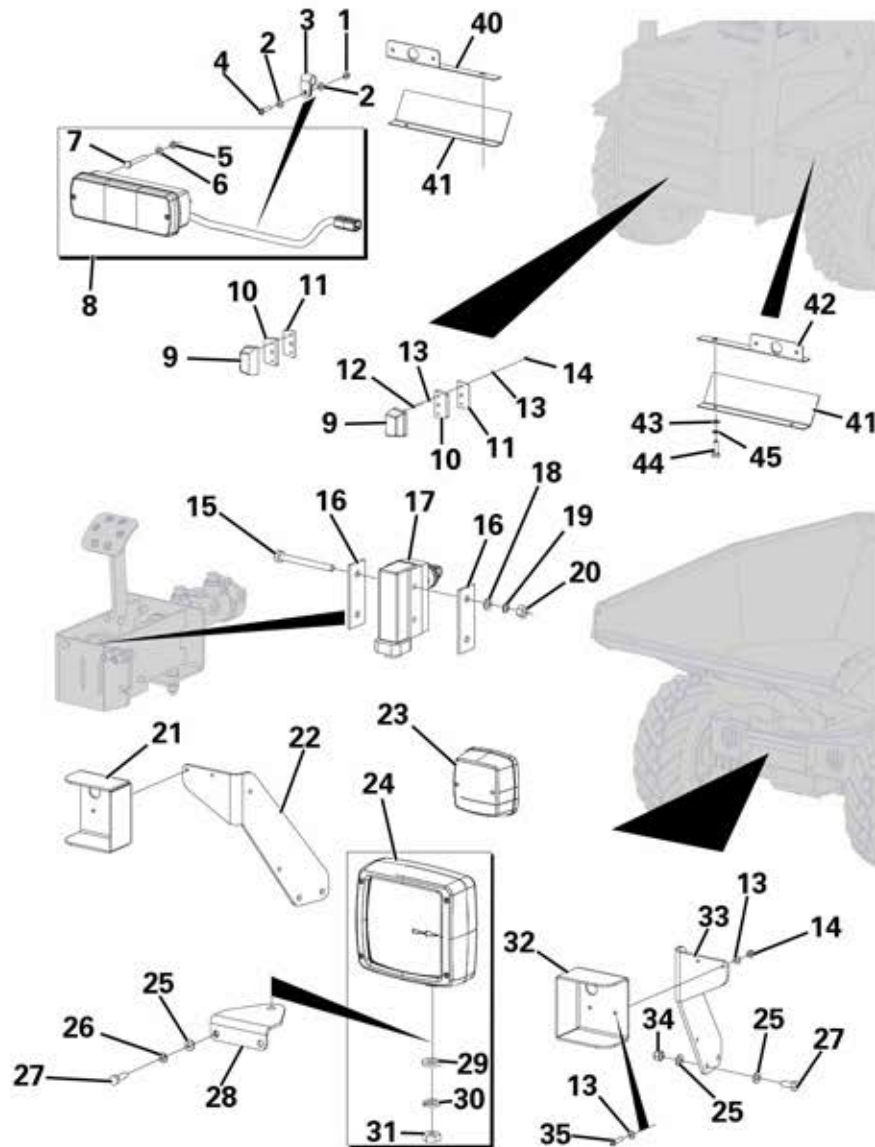
AXLE - DIFFERENTIAL

Item	Part No.	Description	Qty	U/M
1		CYLINDER BOLT	4.0	EA
2		RING NUT	2.0	EA
3		CYLINDER BOLT	2.0	EA
4		TAPER ROLLER BEARING	2.0	EA
5		BEVEL GEAR SET	1.0	EA
6		BOLT	12.0	EA
7		FRICTION WASHER	2.0	EA
8		DIFFERENTIAL SIDE GEAR	2.0	EA
9		CIRCLIP	4.0	EA
10		CIRCLIP	4.0	EA
11		PIN	4.0	EA
12		FRICTION WASHER	4.0	EA
13		DIFFERENTIAL PINION	4.0	EA
14		DIFFERENTIAL CARRIER	1.0	EA
15		TAPER ROLLER BEARING	2.0	EA
16		SHIM	A/R	EA
		SHIM	A/R	EA
		SHIM	A/R	EA
		SHIM	A/R	EA
17		SPACER	1.0	EA
18		SHIM	A/R	EA
		SHIM	A/R	EA
		SHIM	A/R	EA
		SHIM	A/R	EA
19		RING NUT	1.0	EA
20		SEAL	1.0	EA
21		FLANGE	1.0	EA
22		'O' RING	1.0	EA
23		NUT	1.0	EA

AXLE - BRAKES

Item	Part No.	Description	Qty	U/M
1		BRAKE DISC	8.0	EA
2		INTERMEDIATE BRAKE DISC	10.0	EA
3		ADJUSTING BOLT	6.0	EA
4		SPRING	6.0	EA
5		PISTON	2.0	EA
6		SPRING	6.0	EA
7		BACK UP RING	2.0	EA
8		'O' RING	2.0	EA
9		'O' RING	2.0	EA
10		BACK UP RING	2.0	EA
11		PLUG	2.0	EA
12		BLEEDING BOLT	2.0	EA
13		DOWEL	2.0	EA



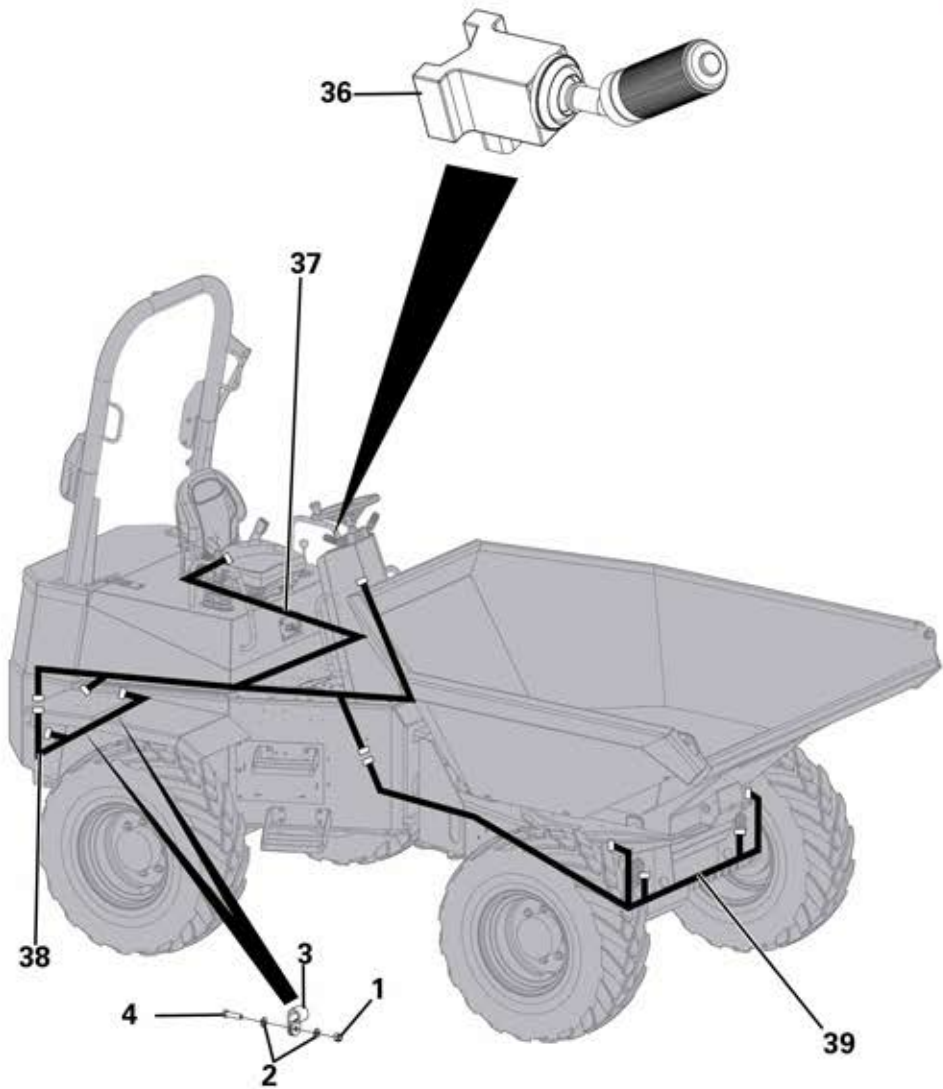


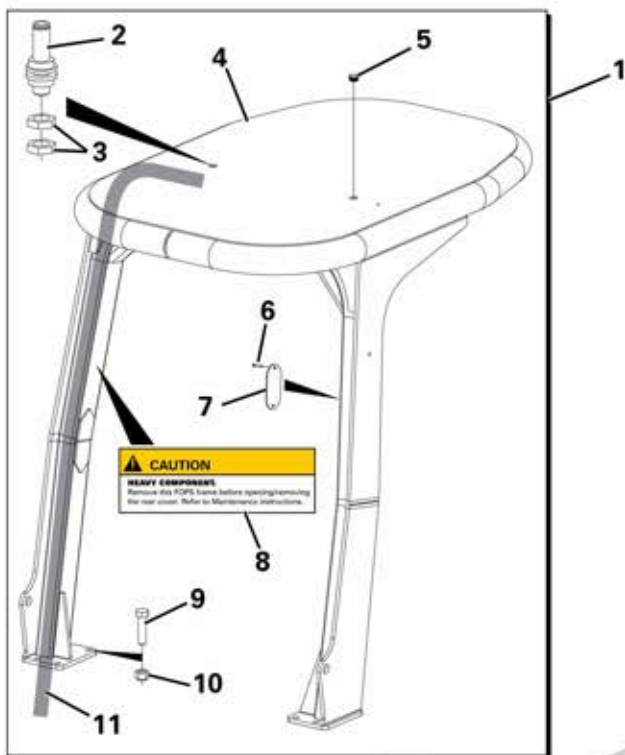
ROAD LIGHTS

Item	Part No.	Description	Qty	U/M
	1	NYLOC NUT	4.0	EA
	2	WASHER	8.0	EA
	3	P CLIP PLASTIC	4.0	EA
	4	CHEESE HEAD SCREW	4.0	EA
	5	NUT	4.0	EA
	6	SHAKEPROOF WASHER	4.0	EA
	7	SET SCREW	4.0	EA
	8	REAR LIGHT ASSEMBLY	2.0	EA
	9	NUMBER PLATE LAMP	2.0	EA
	10	NUMBER PLATE LIGHT PLINTH	2.0	EA
	11	NUMBER PLATE LIGHT GASKET	2.0	EA
	12	CHEESE HEAD SCREW	4.0	EA
	13	WASHER	16.0	EA
	14	NYLOC NUT	16.0	EA
	15	SET SCREW	2.0	EA
	16	MICRO SWITCH BACKING PLATE	2.0	EA
	17	MICRO SWITCH	1.0	EA
	18	WASHER	2.0	EA
	19	SPRING WASHER	2.0	EA
	20	NUT	2.0	EA
	21	LAMP SURROUND RH	1.0	EA
	22	LAMP BRACKET RH	1.0	EA
	23	SIDE/INDICATOR LIGHT	2.0	EA
	24	HEADLAMP-UK	2.0	EA
		HEADLAMP-CONTINENTAL	2.0	EA
	25	WASHER	12.0	EA
	26	SPRING WASHER	4.0	EA
	27	BOLT	8.0	EA
	28	HEADLAMP MOUNTING BRACKET	2.0	EA
	29	WASHER	2.0	EA
	30	SPRING WASHER	2.0	EA
	31	NUT	2.0	EA
	32	LAMP SURROUND LH	1.0	EA
	33	LAMP BRACKET LH	1.0	EA
	34	NYLOC NUT	4.0	EA

ROAD LIGHTS

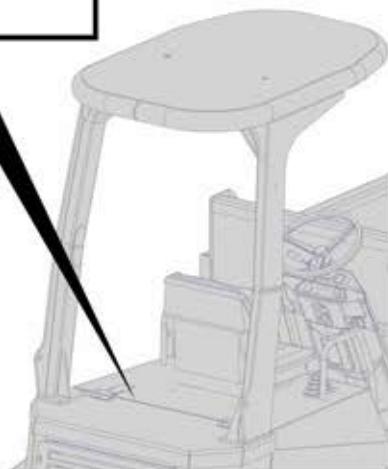
Item	Part No.	Description	Qty	U/M
	35	CHEESE HEAD SCREW	4.0	EA
	36	COLUMN SWITCH LIGHTS	1.0	EA
	37	See VEHICLE HARNESS page		
	38	NUMBER PLATE HARNESS	1.0	EA
	39	FRONT LIGHTING HARNESS	1.0	EA
	40	REAR LIGHT CLUSTER GUARD MOUNT - LH	1.0	EA
	41	REAR LIGHT CLUSTER GUARD	2.0	EA
	42	REAR LIGHT CLUSTER GUARD MOUNT - RH	1.0	EA
	43	WASHER	4.0	EA
	44	SET SCREW	4.0	EA
	45	SPRING WASHER	4.0 </td <td>EA</td>	EA





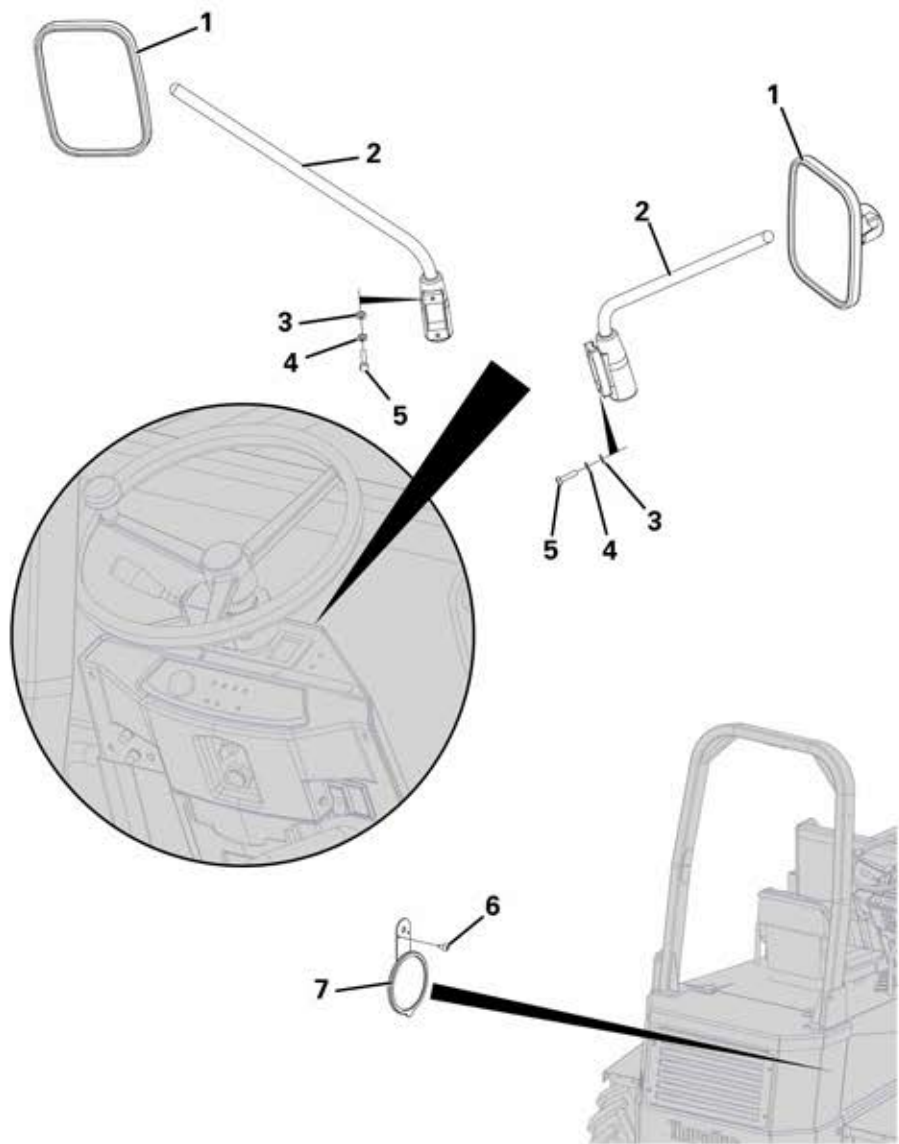
ROPS/FOPS CANOPY FRAME

Item	Part No.	Description	Qty	U/M
1		ROPS/FOPS CANOPY FRAME	1.0	EA
2		BEACON STEM	1.0	EA
3		LOCK NUT	2.0	EA
4		ROPS/FOPS FRAME	1.0	EA
5		BLANKING PLUG	1.0	EA
6		HEXAGON HEAD SELF TAPPER	2.0	EA
7		COVER PLATE	1.0	EA
8		FOPS FRAME WARNING DECAL	1.0	EA
9		BOLT	8.0	EA
10		PHILIDAS NUT	8.0	EA
11		HARNESS	1.0	EA



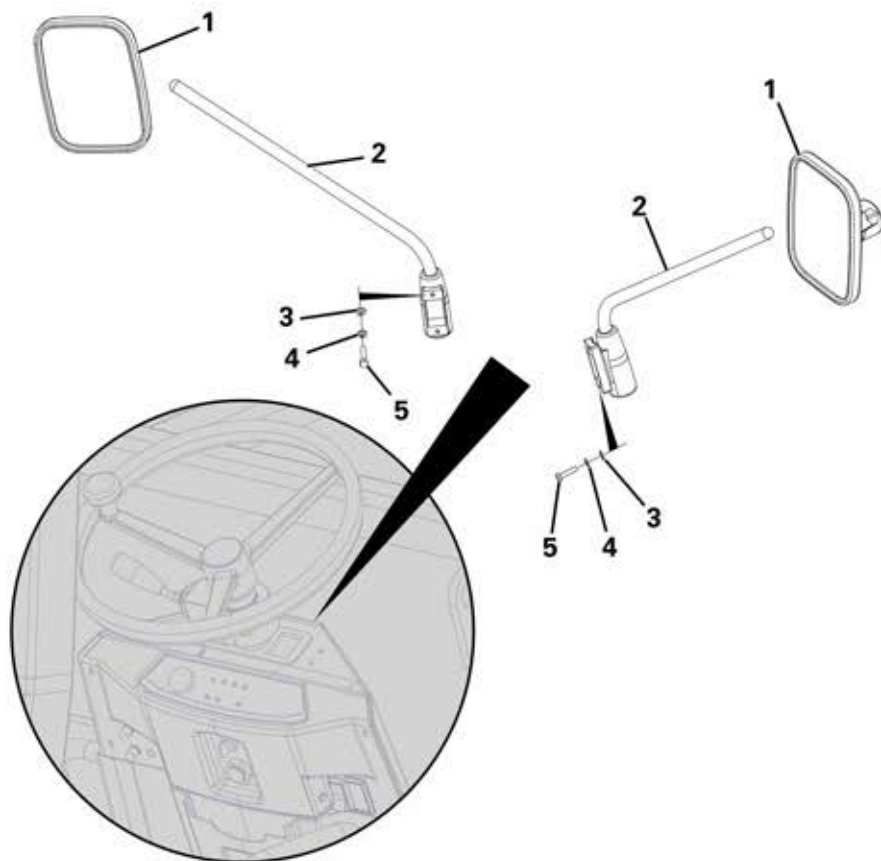
ROAD EQUIPMENT KIT

Item	Part No.	Description	Qty	U/M
1		MIRROR HEAD	2.0	EA
2		ARM FOR WING MIRROR	2.0	EA
3		HEAVY DUTY WASHER	4.0	EA
4		SPRING WASHER	4.0	EA
5		SET SCREW	4.0	EA
6		POSIDRIVE SELF TAPPER	2.0	EA
7		LICENCE HOLDER	1.0	EA



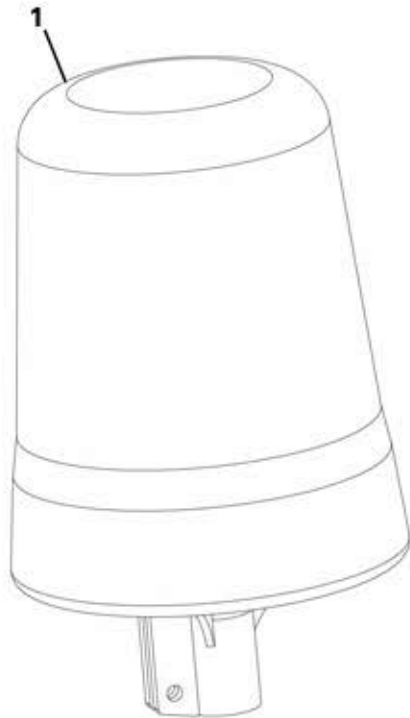
ROAD MIRRORS

Item	Part No.	Description	Qty	U/M
1		MIRROR HEAD	2.0	EA
2		ARM FOR WING MIRROR	2.0	EA
3		HEAVY DUTY WASHER	4.0	EA
4		SPRING WASHER	4.0	EA
5		SET SCREW	4.0	EA



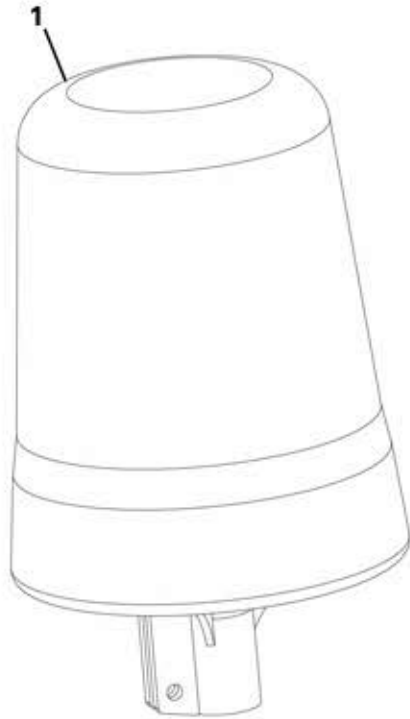
XENON BEACON

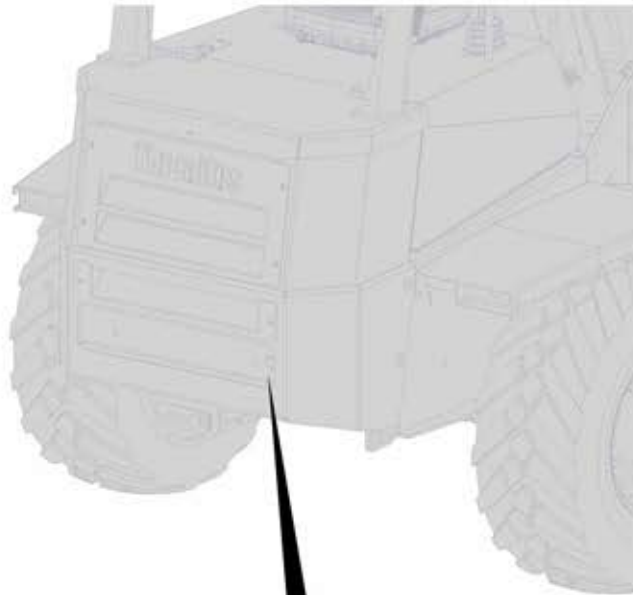
Item	Part No.	Description	Qty	U/M
1		XENON BEACON	1.0	EA



LED BEACON

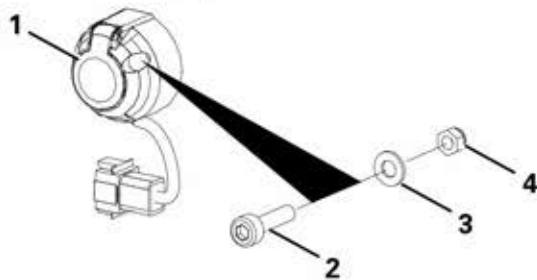
Item	Part No.	Description	Qty	U/M
1		LED BEACON	1.0	EA





TRAILER SOCKET

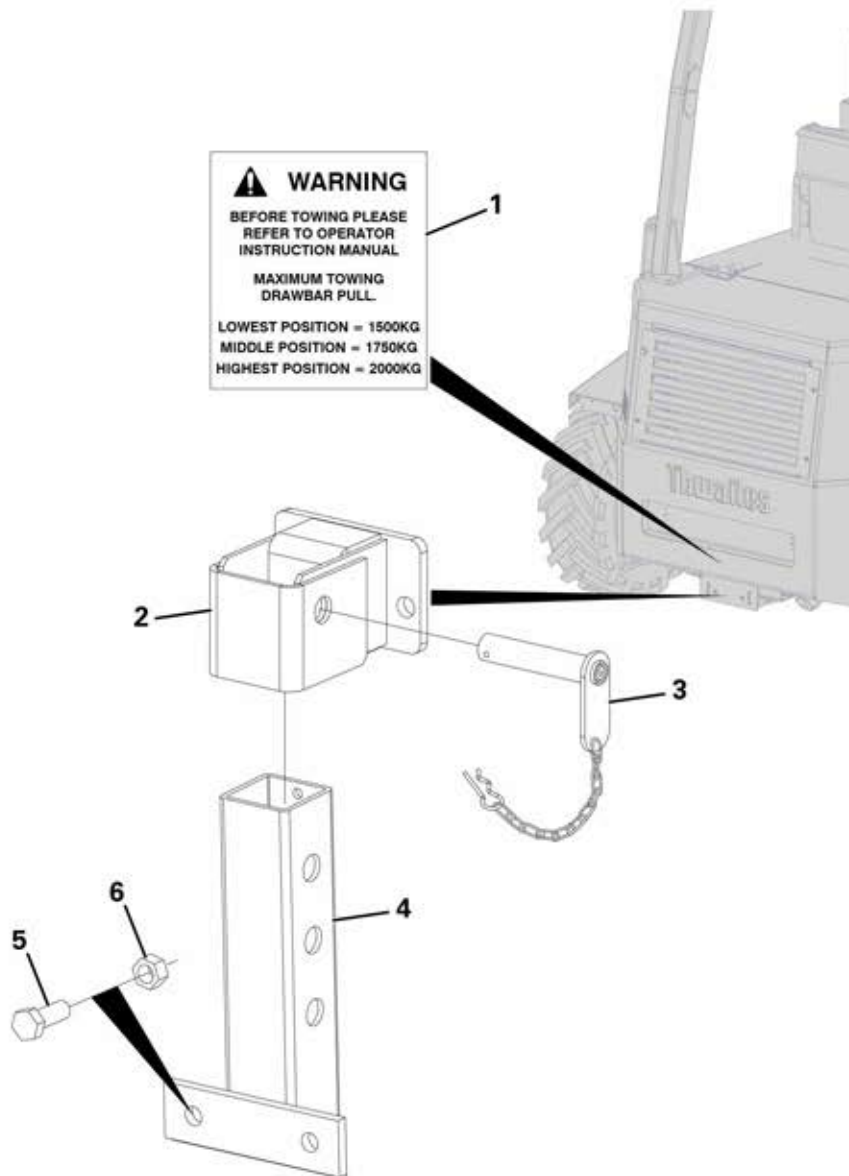
Item	Part No.	Description	Qty	U/M
1		TRAILER SOCKET	1.0	EA
2		CAP HEAD SCREW	3.0	EA
3		WASHER	3.0	EA
4		NYLOC NUT	3.0	EA



ADJUSTABLE TOW BRACKET

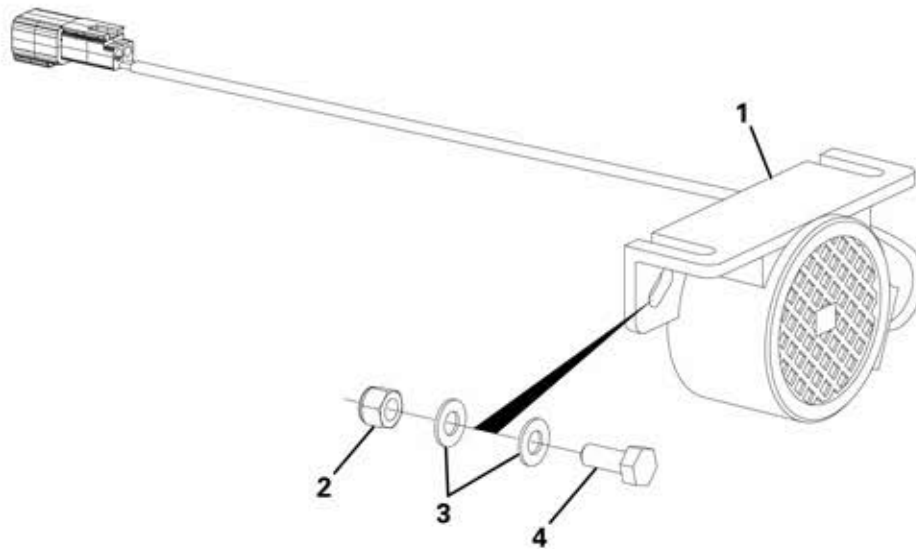
Item	Part No.	Description	Qty	U/M
1		ADJ TOW HITCH TRANSFER	1.0	EA
2		ADJ TOWING (FIXED) BRKT	1.0	EA
3		ADJ TOW BRKT RETAINING	1.0	EA
4		ADJ TOWING (MOVABLE) BRKT	1.0	EA
5		SET SCREW	2.0	EA
6		STOVER NUT	2.0	EA

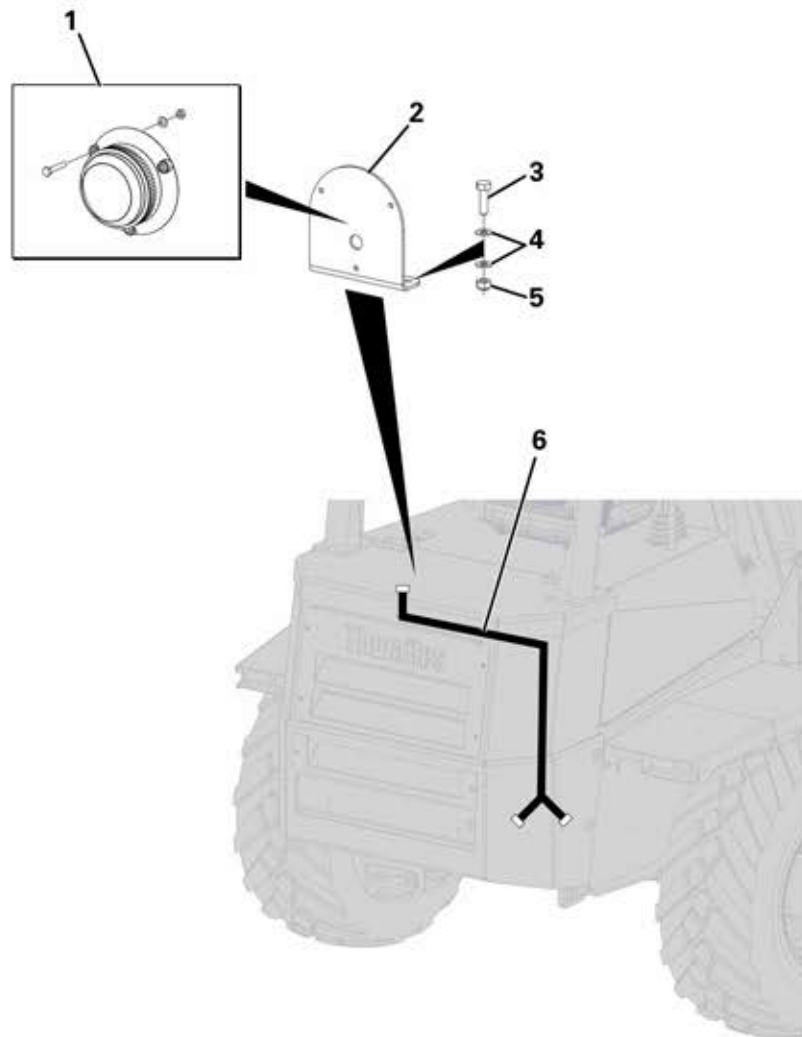
WARNING
 BEFORE TOWING PLEASE
 REFER TO OPERATOR
 INSTRUCTION MANUAL
 MAXIMUM TOWING
 DRAWBAR PULL
 LOWEST POSITION = 1500KG
 MIDDLE POSITION = 1750KG
 HIGHEST POSITION = 2000KG



BROADBAND SOUND REVERSE ALARM

Item	Part No.	Description	Qty	U/M
1		BROADBAND SOUND REVERSE ALARM	1.0	EA
2		NYLOC NUT	2.0	EA
3		WASHER	4.0	EA
4		SET SCREW	2.0	EA



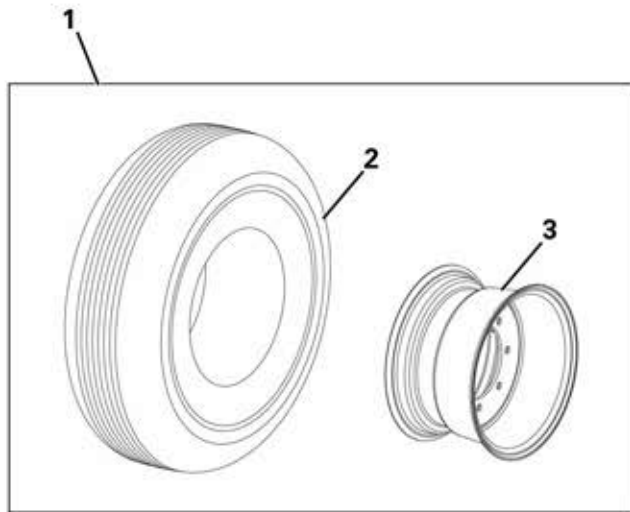


REVERSING STROBE

Item	Part No.	Description	Qty	U/M
1	-	REVERSING STROBE LIGHT - WHITE	1.0	EA
2	-	REVERSING LAMP MOUNTING PLATE	1.0	EA
3	-	BOLT	2.0	EA
4	-	WASHER	4.0	EA
5	-	NYLOC NUT	2.0	EA
6	-	REVERSING STROBE HARNESS	1.0	EA

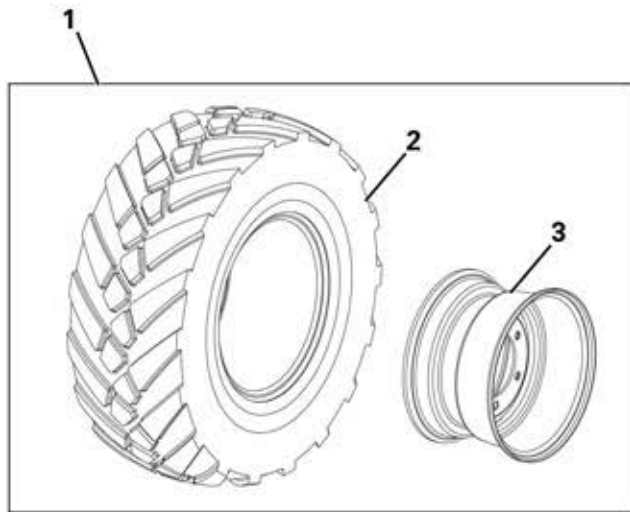
SAND TYRES

Item	Part No.	Description	Qty	U/M
1		WHEEL ASSEMBLY (SAND)	4.0	EA
2		SAND TYRE	1.0	EA
3		WHEEL RIM	1.0	EA



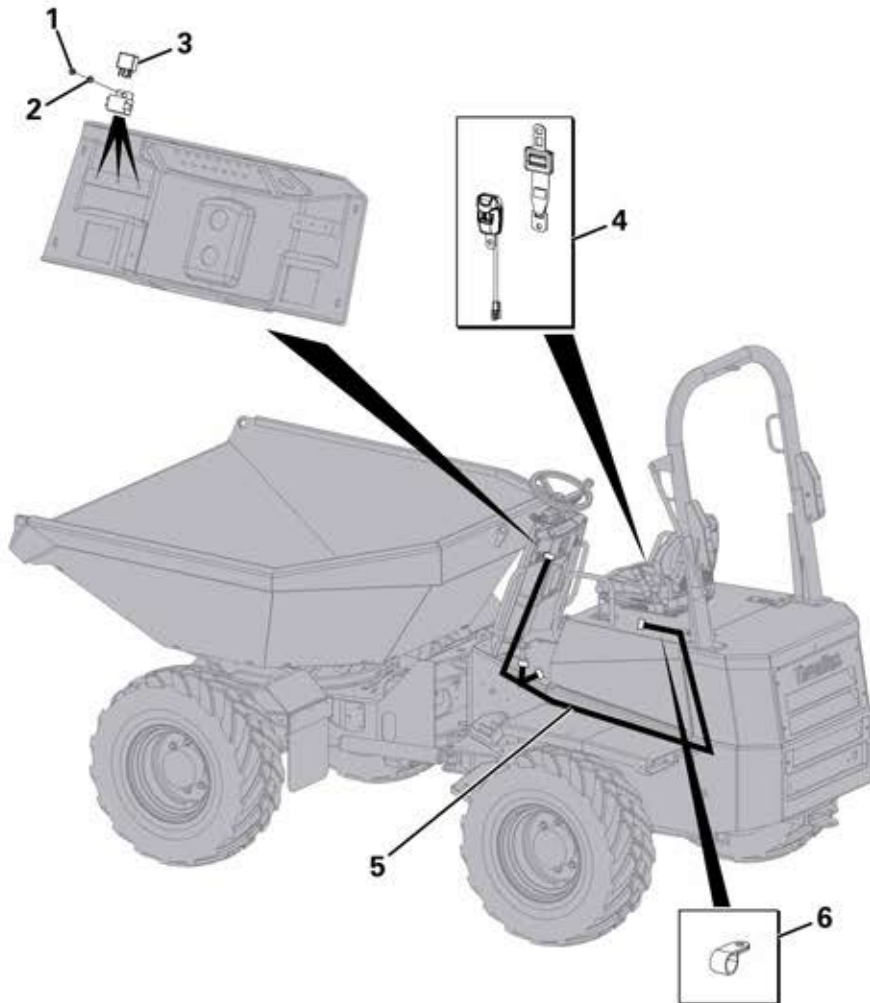
MPT WHEEL & TYRE ASSEMBLY

Item	Part No.	Description	Qty	U/M
1		WHEEL ASSEMBLY	4.0	EA
2		TYRE	1.0	EA
3		WHEEL RIM	1.0	EA

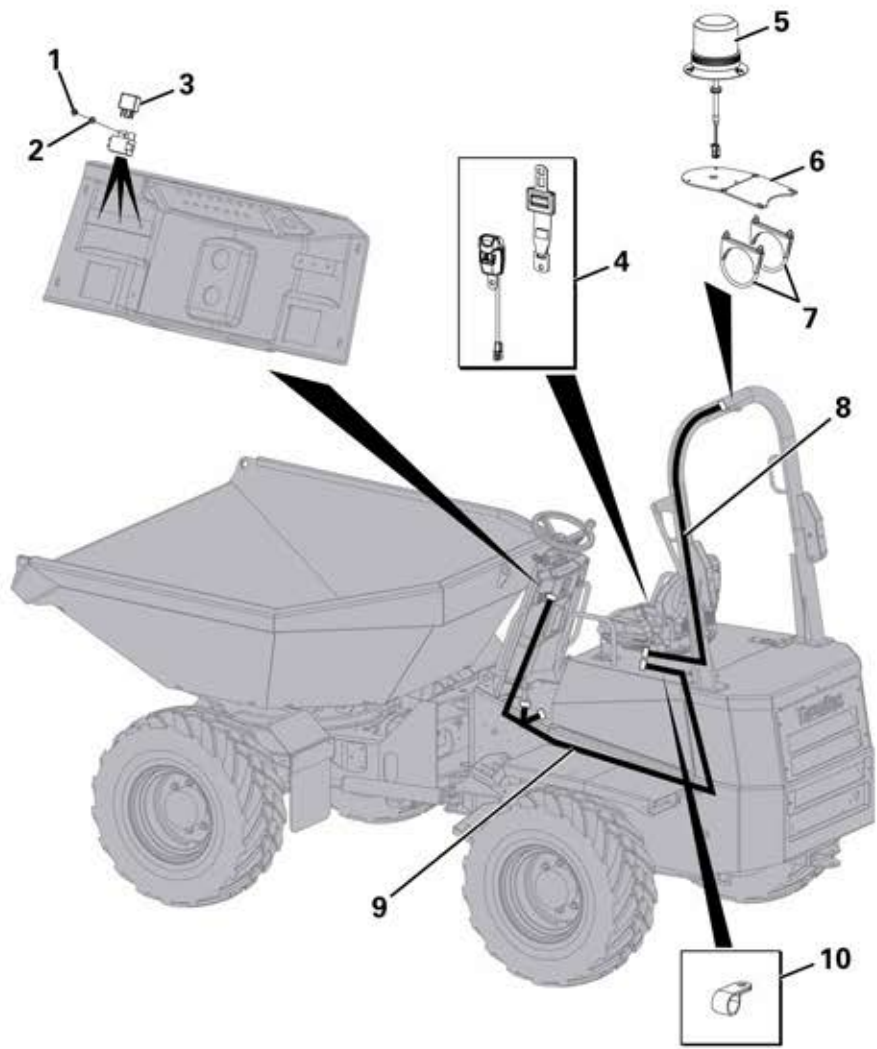


SEATBELT MOTION INHIBIT

Item	Part No.	Description	Qty	U/M
1		SCREW	3.0	EA
2		WASHER	3.0	EA
3		RELAY	2.0	EA
4		SEATBELT	1.0	EA
5		MOTION INHIBIT HARNESS - POWERSHUTTLE	1.0	EA
		MOTION INHIBIT HARNESS - POWERSHIFT	1.0	EA
6		P CLIP	1.0	EA

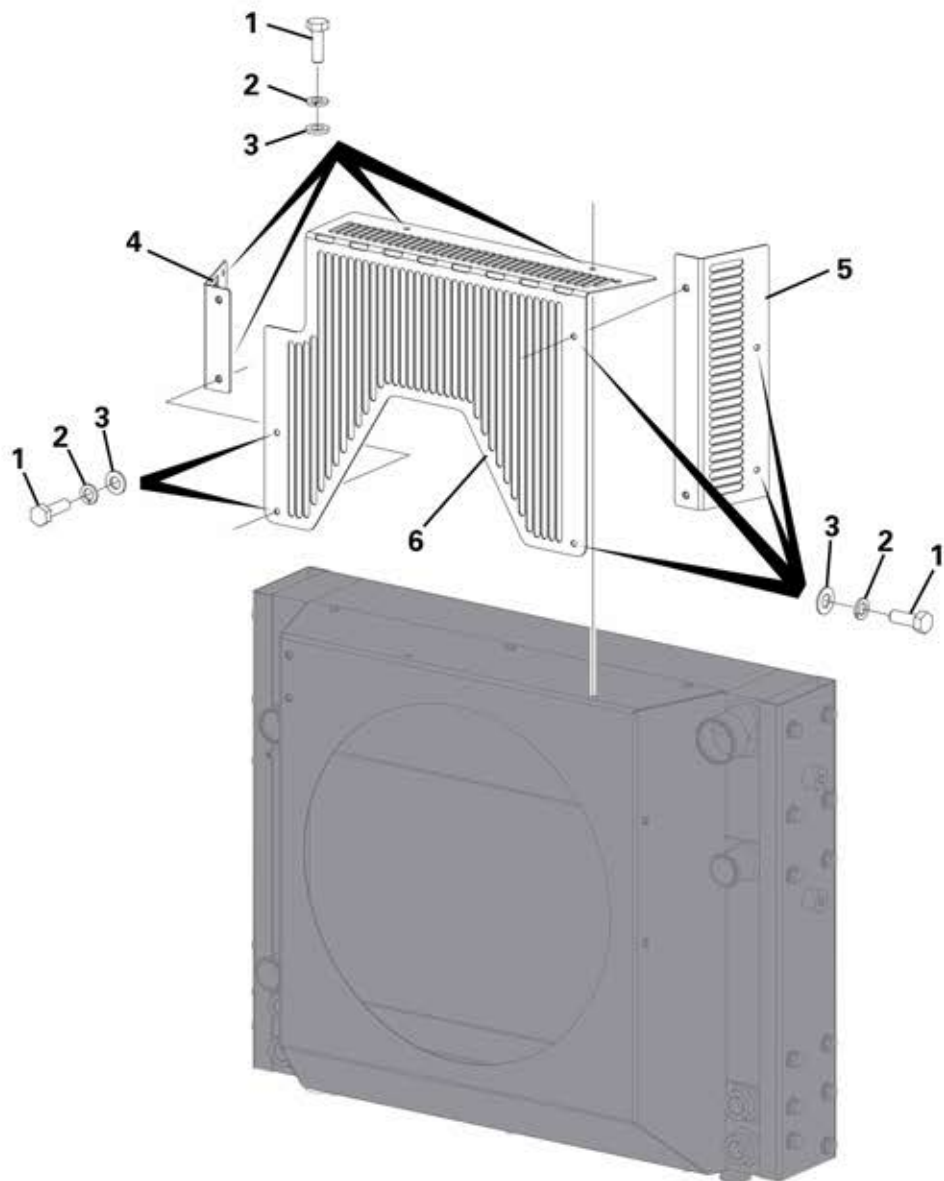


GREEN BEACON MOTION INHIBIT



Item	Part No.	Description	Qty	U/M
1		SCREW	3.0	EA
2		WASHER	3.0	EA
3		RELAY	3.0	EA
4		SEATBELT	1.0	EA
5		GREEN BEACON	1.0	EA
6		BEACON MOUNTING PLATE	1.0	EA
7		CLAMP	2.0	EA
8		GREEN BEACON HARNESS	1.0	EA
9		MOTION INHIBIT HARNESS - POWERSHUTTLE	1.0	EA
		MOTION INHIBIT HARNESS - POWERSHIFT	1.0	EA
10		P CLIP	1.0	EA

FAN GUARD



Item	Part No.	Description	Qty	U/M
1		SET SCREW	10.0	EA
2		SPRING WASHER	10.0	EA
3		WASHER	10.0	EA
4		FAN GUARD RH	1.0	EA
5		FAN GUARD LH	1.0	EA
6		FAN GUARD TOP	1.0	EA