

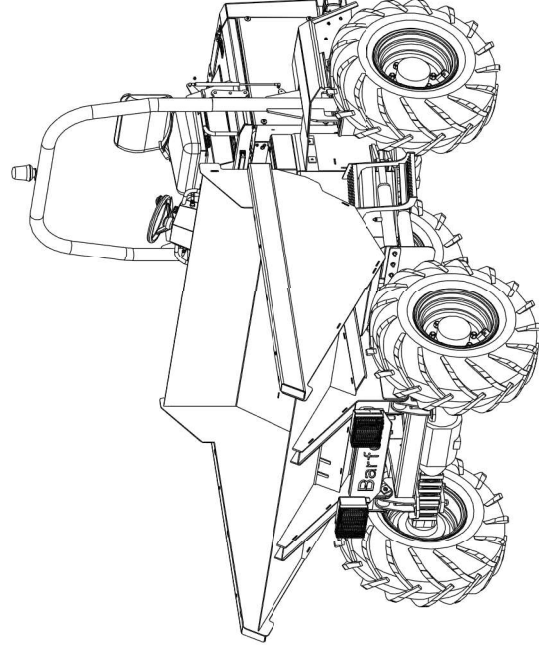
SX SERIES SITE DUMPERS

Barford Site Dumpers

Site Dumper

**SX 5000, 6000,
7000, 8000, 9000**

SXR 5000, 6000, 7000, 8000



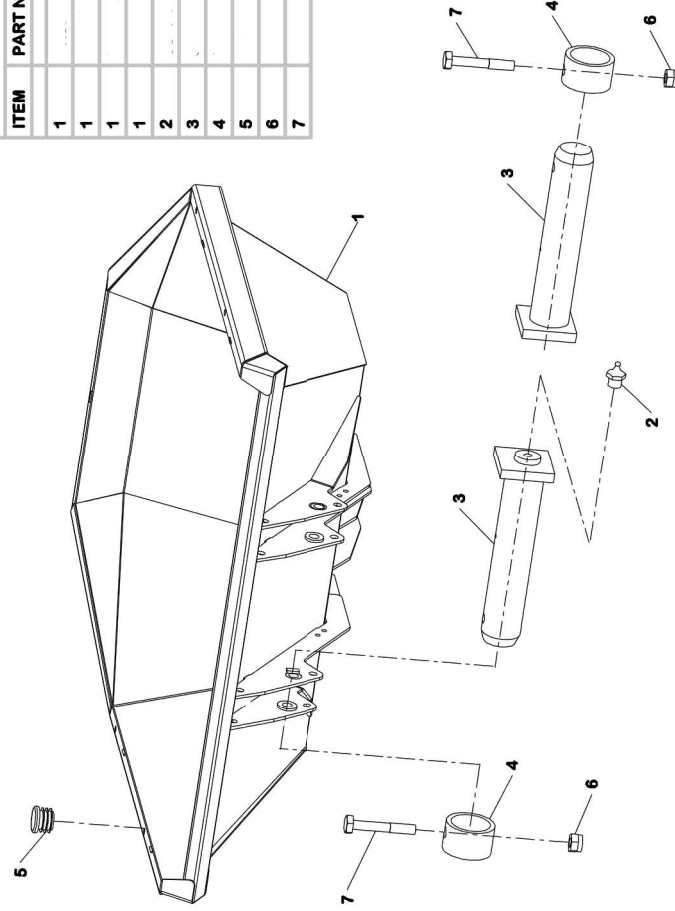
PARTS MANUAL

I S S U E : - 0 4 - 0 1 - 2 0 0 6

CONTENTS

PAGE 1	SKIP AND PINS	PAGE 32	THROTTLE ASSEMBLY
PAGE 2	SKIP AND PINS ROTA	PAGE 33	FUEL TANK ASSEMBLY
PAGE 3	TURNTABLE	PAGE 34	BATTERY AND FIXINGS
PAGE 4	TURNTABLE	PAGE 35	ELECTRICAL GENERAL
PAGE 5	FRONT CHASSIS AND BOTTOM PIN	PAGE 36	AXLES
PAGE 6	FRONT CHASSIS AND BOTTOM PIN ROTA	PAGE 37	WHEELS AND TYRES
PAGE 7	SKIP PROP AND LOCKING PINS	PAGE 38	MUD GUARDS SX 5/6/7/8/9
PAGE 8	SKIP PROP AND LOCKING PINS ROTA	PAGE 39	MUD GUARDS SXR 5
PAGE 9	STEERING ASSEMBLY	PAGE 40	MUD GUARDS SXR 6/7/8
PAGE 10	PEDESTAL	PAGE 41	TRANSMISSION
PAGE 11	PEDESTAL ELECTRICS	PAGE 42	PROP SHAFTS
PAGE 12	SEAT	PAGE 43	DROP BOX AND FIXINGS
PAGE 13	BONNET ASSEMBLY 5/6/7 TONNE	PAGE 44	ENGINE AND ACCESSORIES
PAGE 14	BONNET ASSEMBLY 5/6/7 TONNE	PAGE 45	ENGINE AND ACCESSORIES (TURBO)
PAGE 15	BONNET ASSEMBLY 8/9 TONNE	PAGE 46	AIR CLEANER SXR 5/6
PAGE 16	BONNET ASSEMBLY 8/9 TONNE	PAGE 47	AIR CLEANER SXR 7/8/9
PAGE 17	REAR CHASSIS 5/6/7 TONNE	PAGE 48	EXHAUST
PAGE 18	REAR CHASSIS 5/6/7 TONNE	PAGE 49	EXHAUST TURBO
PAGE 19	REAR CHASSIS 8/9 TONNE	PAGE 50	STEERING RAM
PAGE 20	REAR CHASSIS 8/9 TONNE	PAGE 51	SLEW RAM
PAGE 21	ENGINE AND TRANSMISSION MOUNTS	PAGE 52	TIP RAM
PAGE 22	ROPS FRAME AND REAR COVER	PAGE 53	TIP RAM ROTA SXR 5/6
PAGE 23	HYDRAULIC TANK	PAGE 54	TIP RAM ROTA SXR 7/8/9
PAGE 24	HYDRAULIC SCHEMATIC SX 5/6/7/8/9	PAGE 55	RADIATOR AND OIL COOLER
PAGE 25	HYDRAULIC SCHEMATIC SX 5/6/7/8/9	PAGE 56	RADIATOR FIXINGS
PAGE 26	HYDRAULIC SCHEMATIC SXR 5/6	PAGE 57	BRAKES SXR 5/6/7
PAGE 27	HYDRAULIC SCHEMATIC SXR 5/6	PAGE 58	BRAKES SXR 8/9
PAGE 28	HYDRAULIC SCHEMATIC SXR 7/8	PAGE 59	PARKING BREAK
PAGE 29	HYDRAULIC SCHEMATIC SXR 7/8	PAGE 60	TOP LINK AND PINS
PAGE 30	HYDRAULIC CONTROL VALVES	PAGE 61	LIGHTS OPTION
PAGE 31	HYDRAULIC CONTROL VALVES ROTA	PAGE 62	LIGHTS OPTION

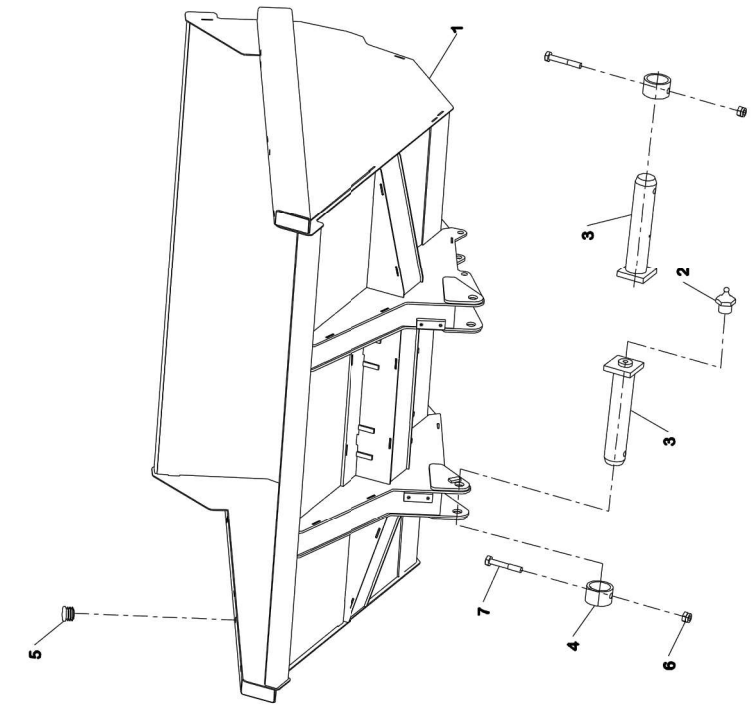
SXR5/6/7/8000



ITEM	PART NO.	DESCRIPTION	QTY	U/M
1		SKIP SXR5000	1	EA
1		SKIP SXR6000	1	EA
1		SKIP SXR7000	1	EA
1		SKIP SXR8000	1	EA
2		GREAS NIPPLE 1/8" BSPF	2	EA
3		TIP PIVOT PIN	2	EA
4		COLLAR	2	EA
5		PLUG PLASTIC	4	EA
6		NUT NYLOC BZP	2	EA
7		BOLT	2	EA

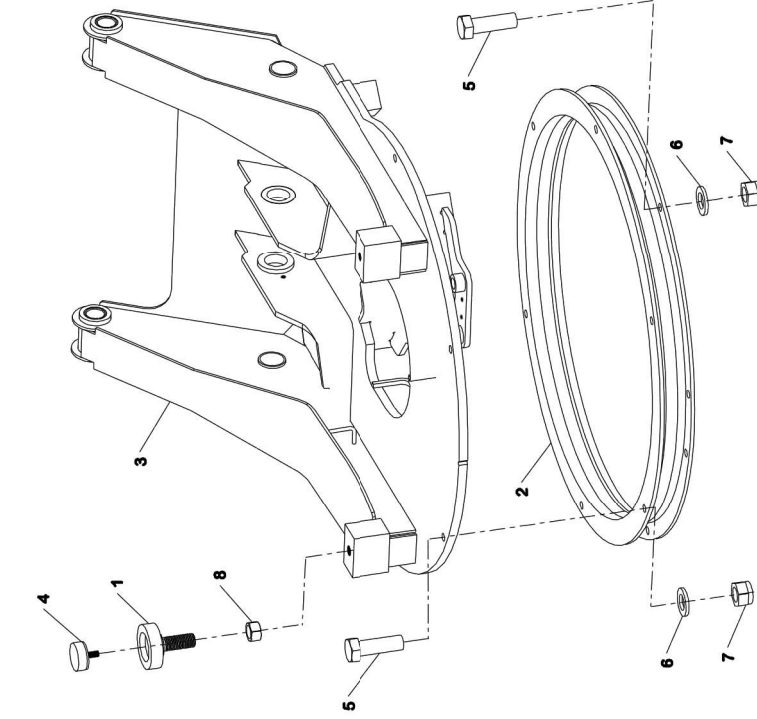
SKIP AND PINS ROTA

SX5/6/7/8/9000



SKIP AND PINS				
ITEM	PART NO.	DESCRIPTION	QTY	U/M
1		SKIP SX6000	1	EA
1		SKIP SX6000	1	EA
1		SKIP SX7000	1	EA
1		SKIP SX8000	1	EA
1		SKIP SX9000	1	EA
2		GREAS NIPPLE 1/8" BSPF	2	EA
3		TIP PIVOT PIN	2	EA
4		COLLAR	2	EA
5		PLUG PLASTIC	4	EA
6		NUT NYLOC BZP	2	EA
7		BOLT	2	EA

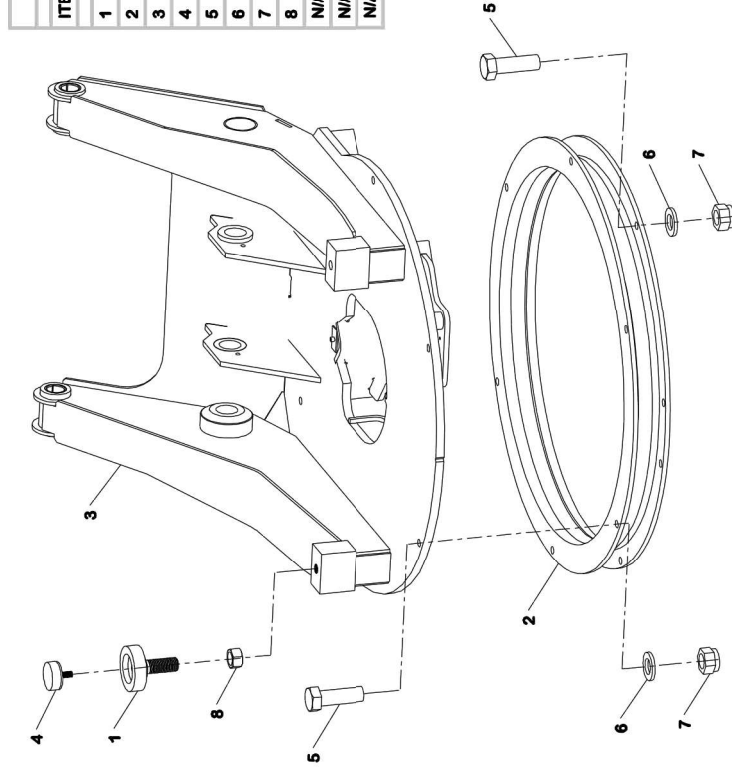
SXR5/6000



TURNTABLE AND SLEW RING

ITEM	PART NO.	DESCRIPTION	QTY	U/M
1		SKIP STOP	2	EA
2		SLEWING RING	1	EA
3		TURNTABLE	1	EA
4		BUFFER	2	EA
5		SETScrew	12	EA
6		WASHER BZP	12	EA
7		NUT NYLOC BZP	12	EA
8		M10 NUT BZP	2	EA
N/A		SHIM 0.25	AR	EA
N/A		SHIM 0.40	AR	EA
N/A		SHIM 1.22	AR	EA

SXR7/8000

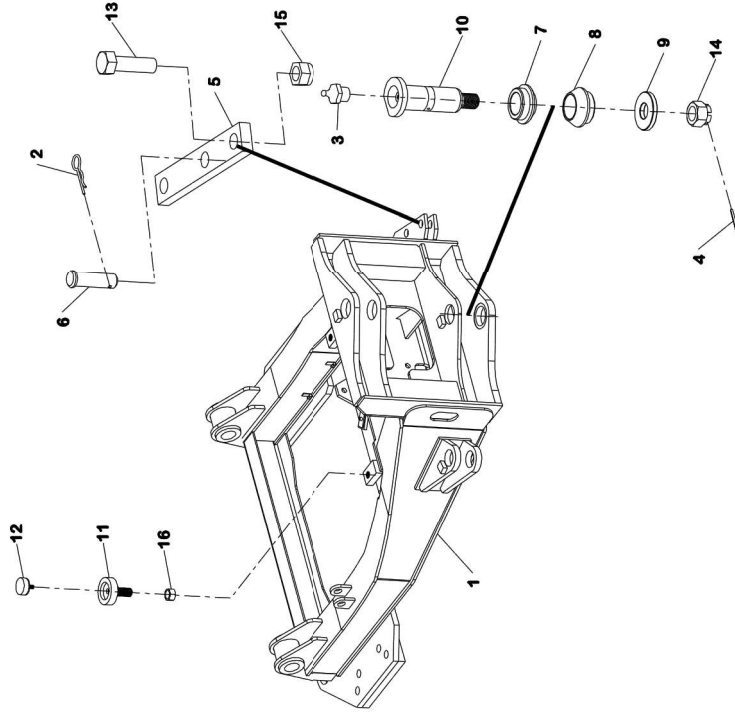


TURNTABLE AND SLEW RING

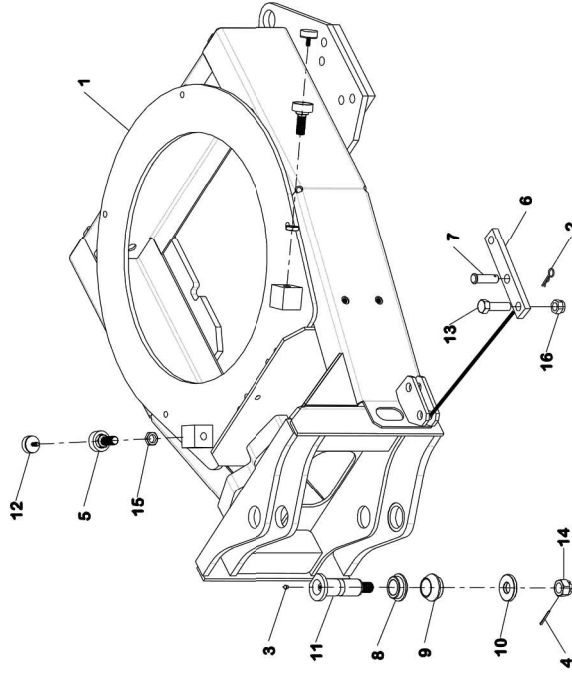
ITEM	PART NO.	DESCRIPTION	QTY	U/M
1		SKIP STOP	2	EA
2		SLEWING RING	1	EA
3		TURNTABLE	1	EA
4		BUFFER	2	EA
5		SETSCREW	12	EA
6		WASHER BZP	12	EA
7		NUT NYLOC BZP	11	EA
8		M10 NUT BZP	2	EA
N/A		SHIM 0.25	AR	EA
N/A		SHIM 0.40	AR	EA
N/A		SHIM 1.22	AR	EA

SX5/6/7/8/9000

FRONT CHASSIS AND BOTTOM PIN				
ITEM	PART NO.	DESCRIPTION	QTY	U/M
1		FRONT FRAME 5-9T STR	1	EA
2		SPRING COTTER	1	EA
3		GREAS NIPPLE 1/8" BSPF	1	EA
4		SPLIT_PIN	1	EA
5		LOCKING BAR	1	EA
6		PIN	1	EA
7		BUSH	1	EA
8		BOTTOM BUSH	1	EA
9		WASHER	1	EA
10		BOTTOM PIN	1	EA
11		SKIP STOP	2	EA
12		BUFFER	2	EA
13		SETSCREW	1	EA
14		CASTLE NUT	1	EA
15		NUT NYLOC BZP	1	EA
16		M10 NUT BZP	2	EA



SXR5/6/7/8000



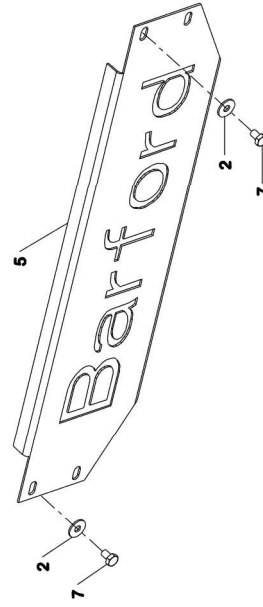
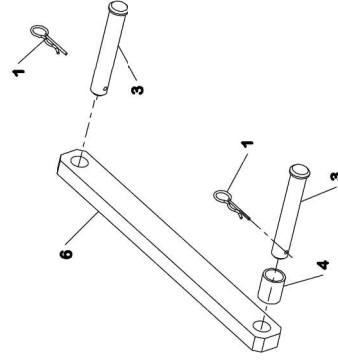
FRONT CHASSIS AND BOTTOM PIN ROTA

ITEM	PART NO.	DESCRIPTION	QTY	U/M
1		FRONT FRAME ROTA	1	EA
2		SPRING COTTER	1	EA
3		GREAS NIPPLE 1/8" BSPF	1	EA
4		SPLIT_PIN	1	EA
5		SKIP STOP	2	EA
6		LOCKING BAR	1	EA
7		PIN	1	EA
8		BUSH	1	EA
9		BOTTOM BUSH	1	EA
10		WASHER	1	EA
11		BOTTOM PIN	1	EA
12		BUFFER	2	EA
13		SETSCREW	1	EA
14		CASTLE NUT	1	EA
15		LOCKNUT	2	EA
16		NUT NYLOC BZP	1	EA

SX5/6/7/8/9000

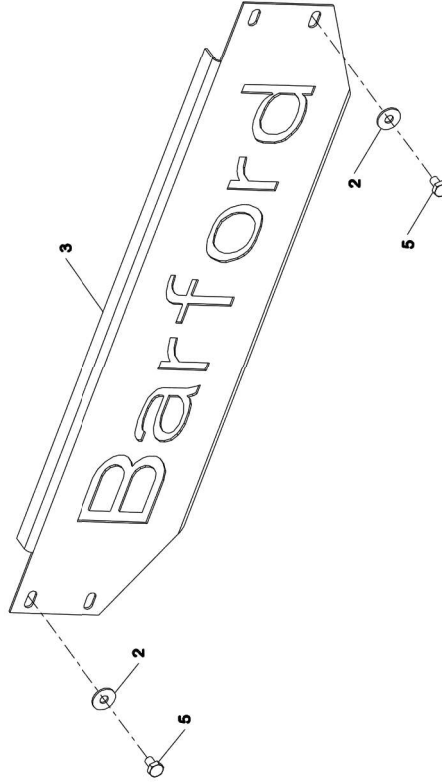
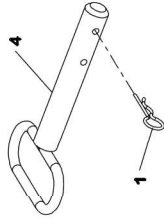
SKIP PROP AND LOCKING PINS

ITEM	PART NO.	DESCRIPTION	QTY	U/M
1		SPRING COTTER	2	EA
2		TEDDER WASHER	4	EA
3		PIN SKIP PROP	2	EA
4		SPACER	1	EA
5		NAME PLATE	1	EA
6		SKIP PROP	1	EA
7		SETScrew	4	EA



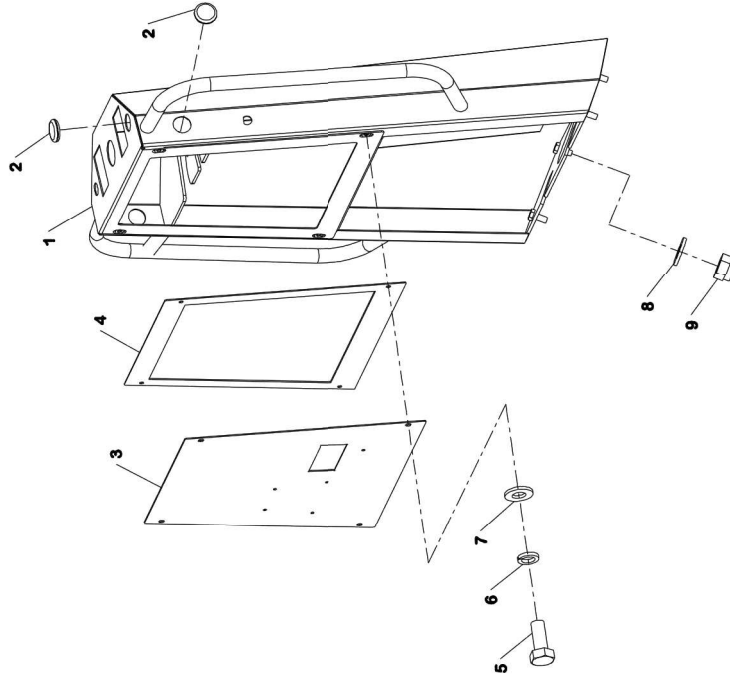
SXR5/6/7/8000

SKIP PROP AND LOCKING PINS ROTA				
ITEM	PART NO.	DESCRIPTION	QTY	U/M
1		SPRING COTTER	1	EA
2		TEDDER WASHER	4	EA
3		NAME PLATE	1	EA
4		PIN PROP	1	EA
5		SETSCREW	4	EA



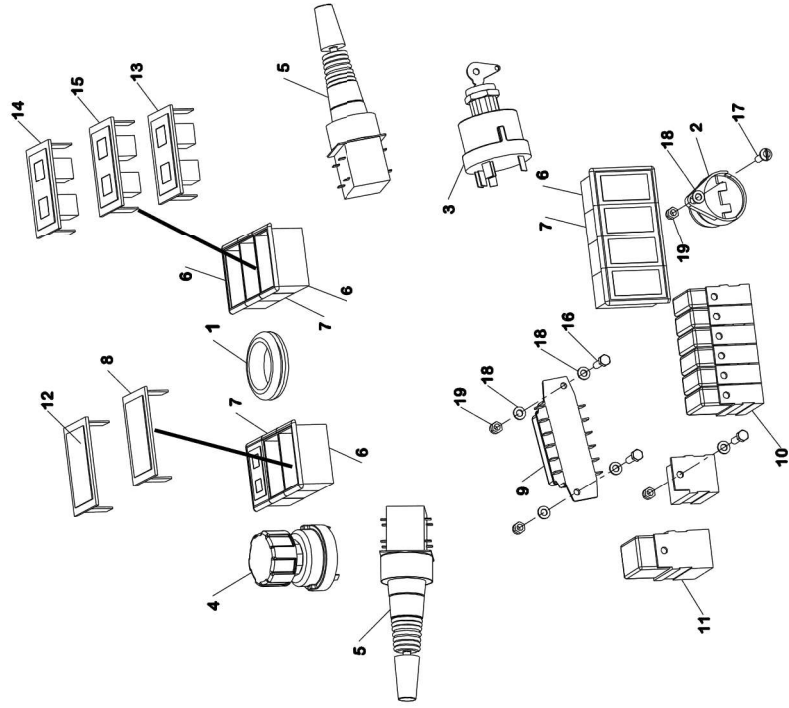
SX5/6/7/8/9000, SXR5/6/7/8000

PEDESTAL				
ITEM	PART NO.	DESCRIPTION	QTY	U/M
1		PEDESTAL	1	EA
2		GROMMET	2	EA
3		PANEL	1	EA
4		GASKET	1	EA
5		SETScrew	4	EA
6		WASHER SPRING	4	EA
7		WASHER BZP	4	EA
8		WASHER BZP	4	EA
9		NUT NYLOC BZP	4	EA



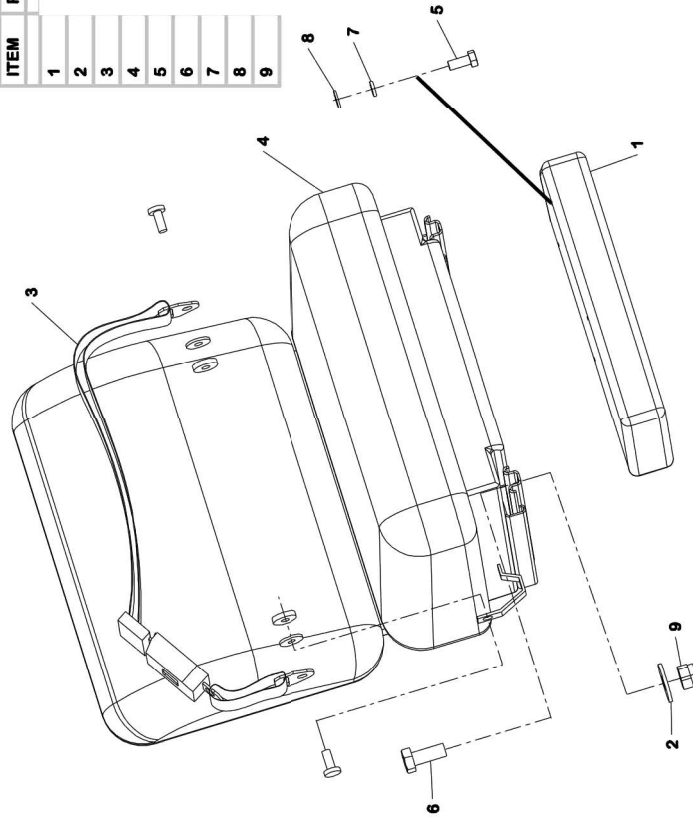
SX5/6/7/8/9000, SXR5/6/7/8000

ITEM	PART NO.	DESCRIPTION	QTY	U/M
1		GROMMET	1	EA
2		BUZZER	1	EA
3		KEYSWITCH	1	EA
4		ROTARY SWITCH	1	EA
5		SWITCH	2	EA
6		HOUSING END	6	EA
7		HOUSING CENTRE	4	EA
8		BLANK	6	EA
9		BASE	1	EA
10		5 PIN RELAY 12V 10/20A	6	EA
11		70A RELAY 12V DC (IN LOOM)	1	EA
12		WARNING FULL BEAM	1	EA
13		WARNING GBOX OIL PRESS & TEMP	1	EA
14		WARNING PARK BREAK/BATTERY	1	EA
15		WARNING OIL PRESS/ENG TEMP	1	EA
16		SETScrew	4	EA
17		PANHEAD SCREW	1	EA
18		WASHER BZP	7	EA
19		NUT NYLOC BZP	5	EA
N/A		25A CIRCUIT BREAKER	1	EA
N/A		15A CIRCUIT BREAKER	2	EA
N/A		10A CIRCUIT BREAKER	1	EA
N/A		8A CIRCUIT BREAKER	2	EA
N/A		LOOM PEDESTAL	1	EA

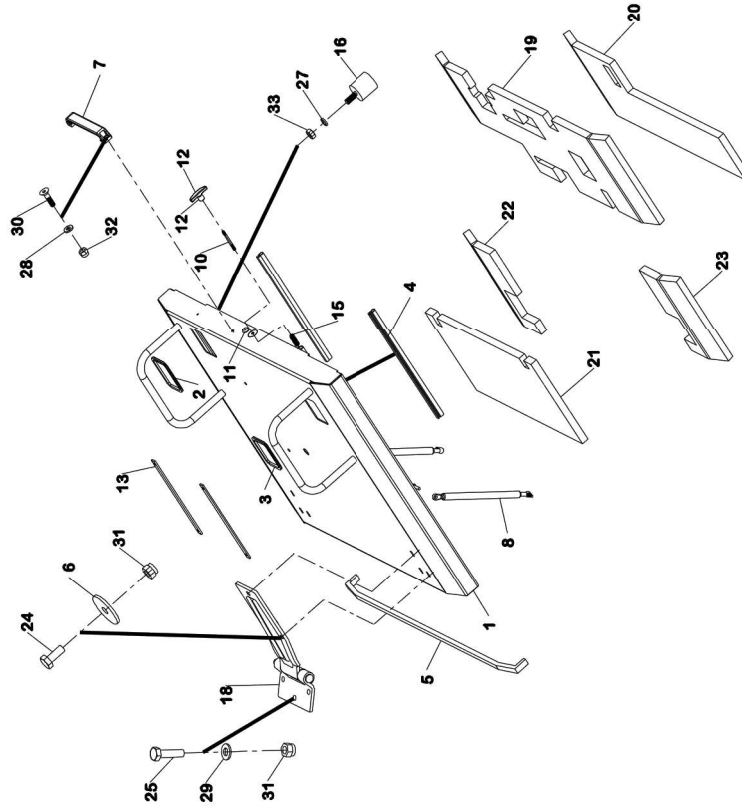


SX5/6/7/8/9000, SXR5/6/7/8000

SEAT				
ITEM	PART NO.	DESCRIPTION	QTY	U/M
1		DOC BOX	1	EA
2		TEDDER WASHER	4	EA
3		SEAT BELT	1	EA
4		SEAT	1	EA
5		SETSCREW	4	EA
6		SETSCREW	4	EA
7		WASHER SPRING	4	EA
8		WASHER BZP	4	EA
9		NUT NYLOC BZP	4	EA

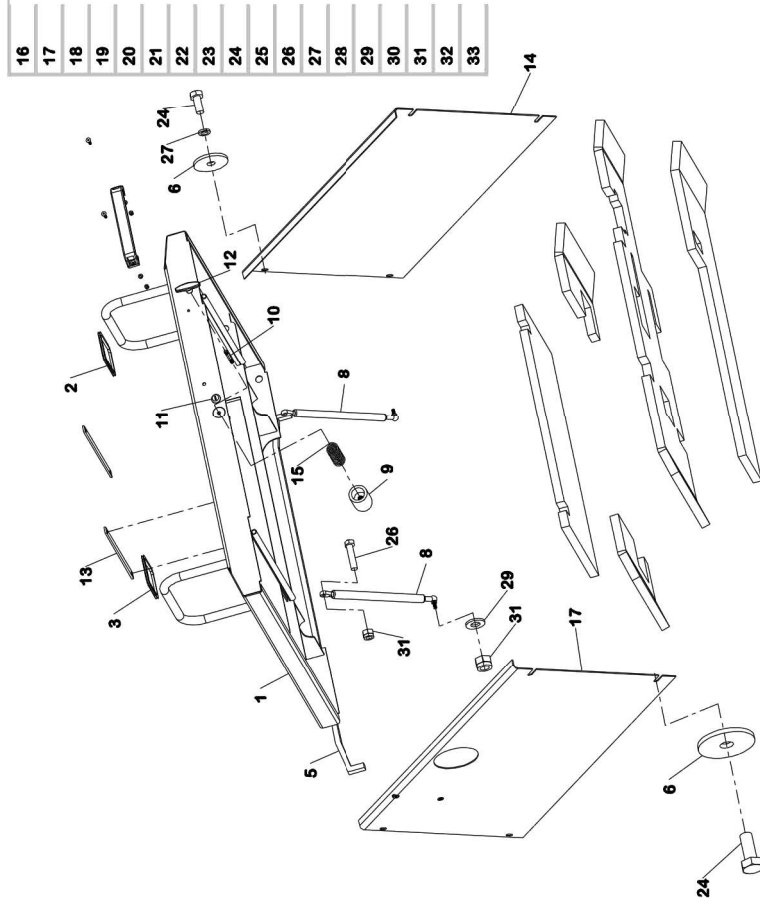


SX5/6/7000, SXR5/6/7000



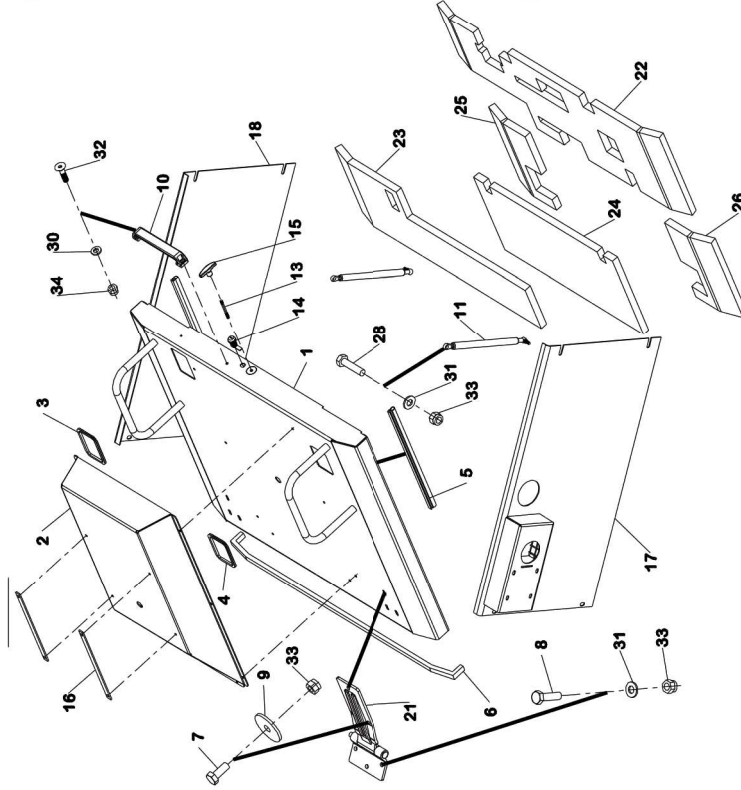
BONNET ASSEMBLY				
ITEM	PART NO.	DESCRIPTION	QTY	U/M
1		BONNET	1	EA
2		SEAL 400MM	1	EA
3		SEAL 400MM	1	EA
4		SEAL 985MM	2	EA
5		SEAL 2000MM	1	EA
6		WASHER TEDDER	14	EA
7		HANDLE	1	EA
8		GAS SPRING	2	EA
9		LOCK PLUNGER	1	EA
10		LOCK ROD	1	EA
11		LOCK	1	EA
12		KNOB	1	EA
13		PACKER	2	EA
14		PANEL	1	EA
15		SPRING	1	EA

SX5/6/7000, SXR5/6/7000



16	BUFFER	2	EA
17	PANEL	1	EA
18	HINGE	2	EA
19	INSULATION (FRONT)	1	EA
20	INSULATION (MIDDLE)	1	EA
21	INSULATION (MIDDLE)	1	EA
22	INSULATION (RIGHT)	1	EA
23	INSULATION (LEFT)	1	EA
24	SETScrew	14	EA
25	SETScrew	6	EA
26	SETScrew	2	EA
27	WASHER SPRING	6	EA
28	WASHER BZP	2	EA
29	WASHER BZP	10	EA
30	SCREW CSK	2	EA
31	NUT NYLOC BZP	16	EA
32	NUT NYLOC BZP	2	EA
33	M10 NUT BZP	2	EA

SX8/9000, SXR8000



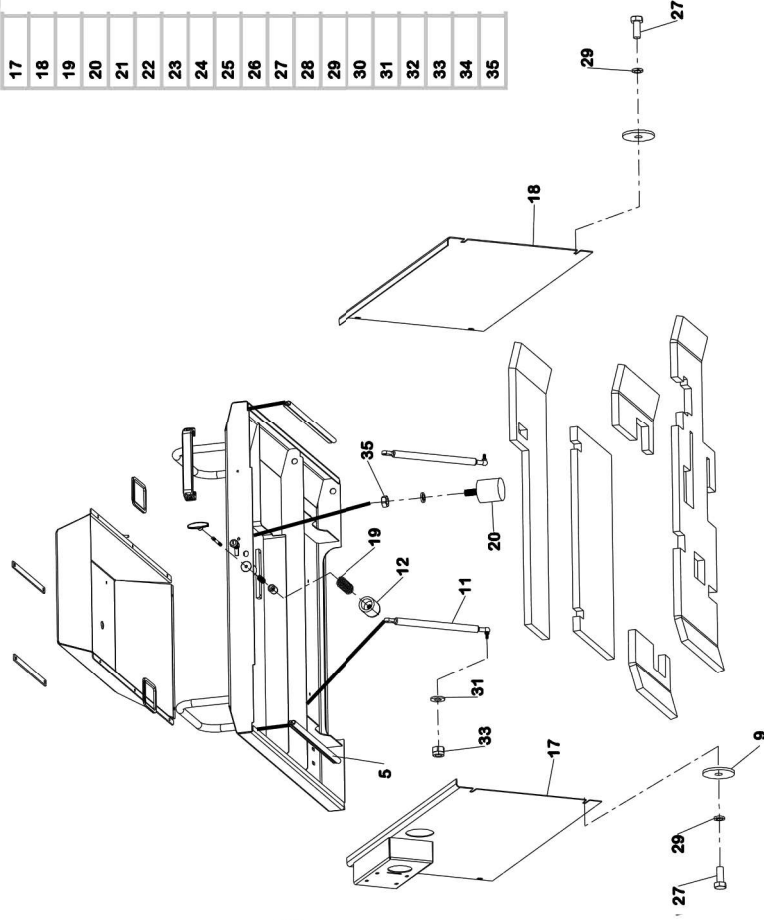
BONNET ASSEMBLY

ITEM	PART NO.	DESCRIPTION	QTY	U/M
1		BONNET SX 8-9	1	EA
2		SEAT BLISTER	1	EA
3		SEAL 400MM	1	EA
4		SEAL 400MM	1	EA
5		SEAL 985MM	2	EA
6		SEAL 2000MM	1	EA
7		SETScrew	6	EA
8		SETScrew	6	EA
9		WASHER TEDDER	14	EA
10		HANDLE	1	EA
11		GAS SPRING	2	EA
12		LOCK PLUNGER	1	EA
13		LOCK ROD	1	EA
14		LOCK	1	EA
15		KNOB	1	EA
16		PACKER	2	EA

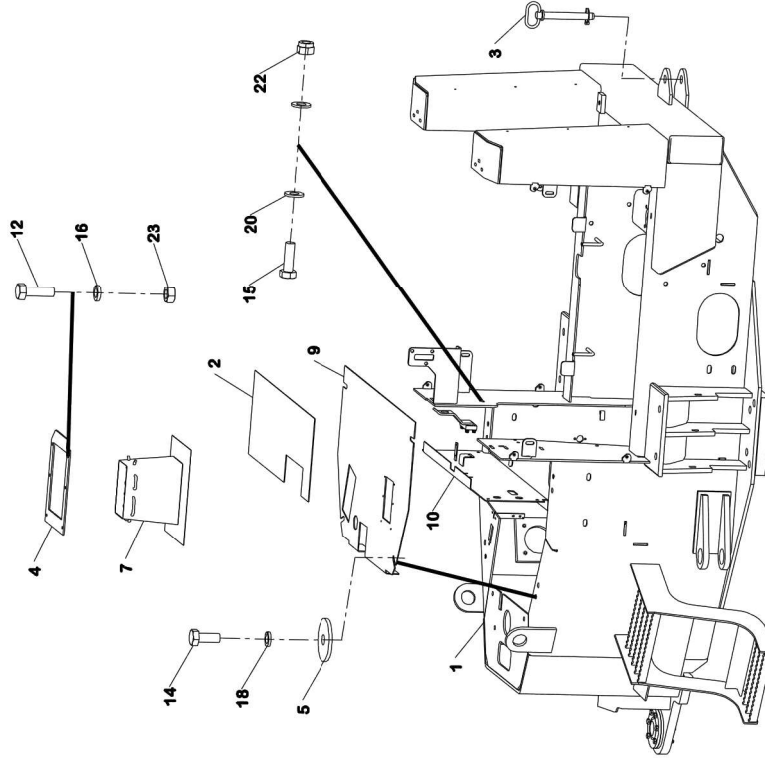
SX8/9000, SXR8000

17
18
19
20
21
22
23
24
25
26
27
28
29
30
31
32
33
34
35

SIDE PANEL	1	EA
PANEL	1	EA
SPRING	1	EA
BUFFER	2	EA
HINGE	2	EA
INSULATION (FRONT)	1	EA
INSULATION (MIDDLE)	1	EA
INSULATION (RIGHT)	1	EA
INSULATION (LEFT)	1	EA
SETSCREW	8	EA
SETSCREW	2	EA
WASHER SPRING	10	EA
WASHER BZP	2	EA
WASHER BZP	10	EA
SCREW CSK	2	EA
NUT NYLOC BZP	16	EA
NUT NYLOC BZP	2	EA
M10 NUT BZP	2	EA

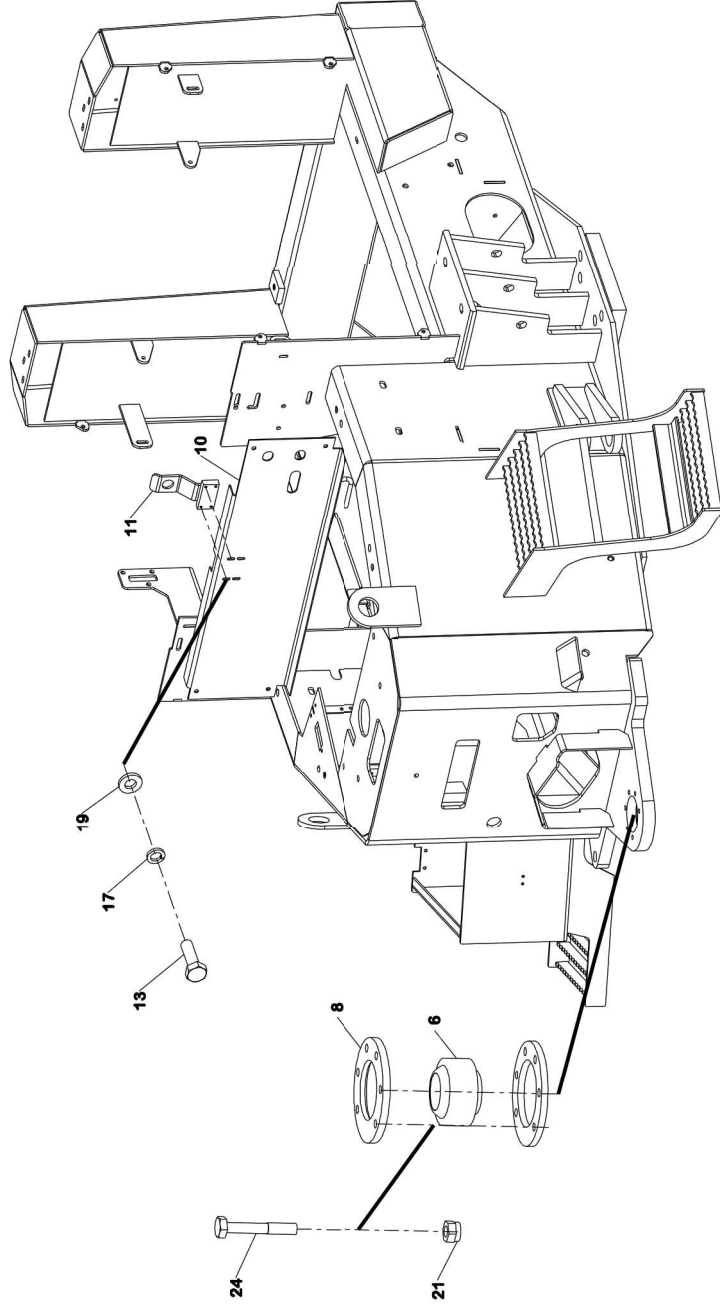


SX5/6/7000, SXR5/6/7000

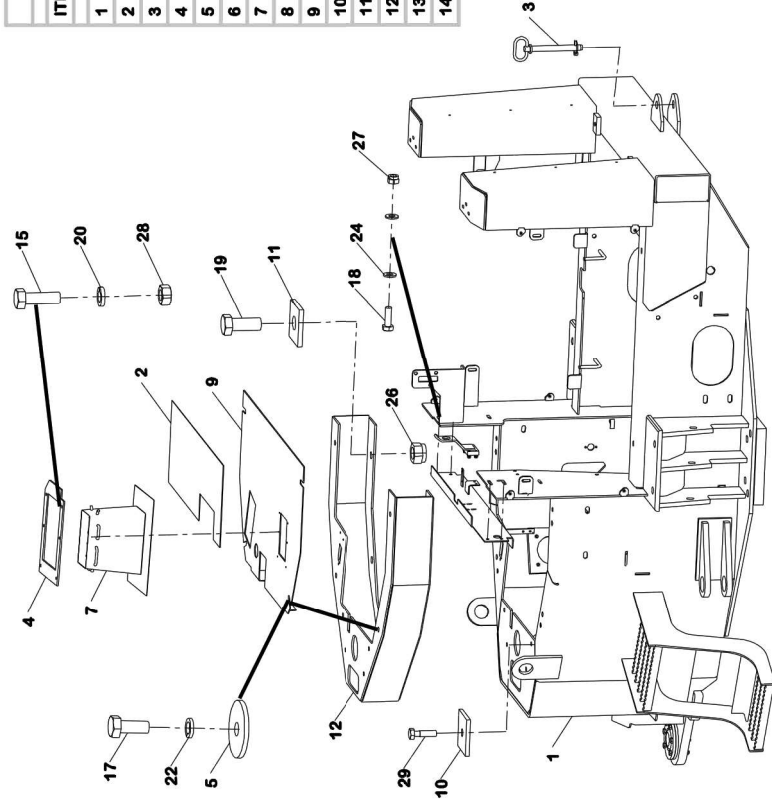


REAR CHASSIS				
ITEM	PART NO.	DESCRIPTION	QTY	U/M
1		REAR FRAME	1	EA
2		SAFLEY WALK 1000MM	1	EA
3		PIN DRAWBAR	1	EA
4		PLATE	1	EA
5		WASHER TEDDER	4	EA
6		(M10 ID SPH BEARING	1	EA
7		GAITER	1	EA
8		CLAMP RING	1	EA
9		FLOORPLATE	1	EA
10		BULKHEAD	1	EA
11		CATCH	1	EA
12		SETSCREW	6	EA
13		SETSCREW	4	EA
14		SETSCREW	4	EA
15		SETSCREW	4	EA
16		WASHER SPRING	6	EA
17		WASHER SPRING	4	EA
18		WASHER SPRING	4	EA
19		WASHER BZP	4	EA
20		WASHER BZP	8	EA
21		NUT NYLOC BZP	6	EA
22		NUT NYLOC BZP	4	EA
23		M10 NUT BZP	6	EA
24		BOLT	6	EA

SX5/6/7000, SXR5/6/7000

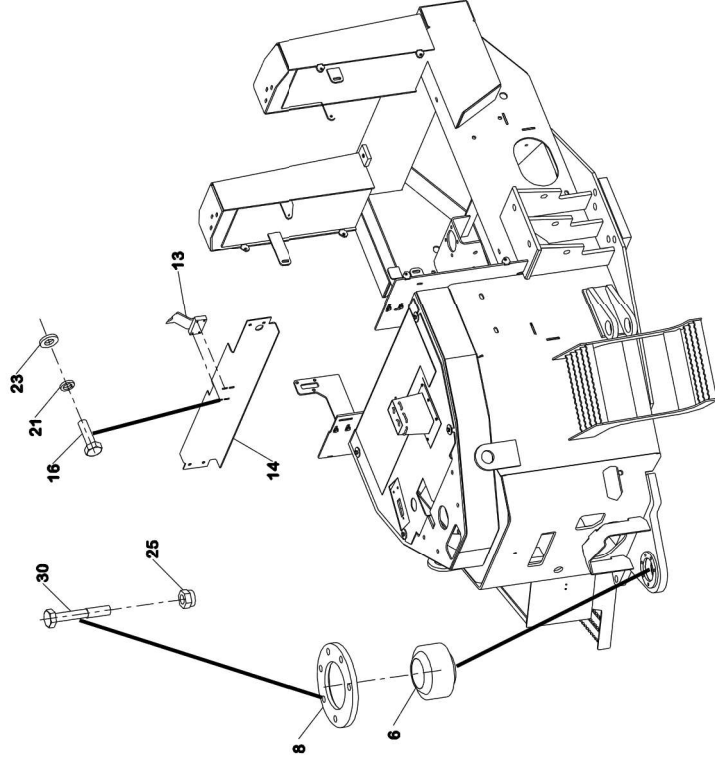


SX8/9000, SXR8000



REAR CHASSIS				
ITEM	PART NO.	DESCRIPTION	QTY	U/M
1		REAR FRAME	1	EA
2		SAFLEY WALK 1000MM	1	EA
3		PIN DRAWBAR	1	EA
4		PLATE	1	EA
5		WASHER TEDDER	4	EA
6		(A)45 IID SPH BEARING	1	EA
7		GAITER	1	EA
8		CLAMP RING	1	EA
9		FLOORPLATE	1	EA
10		CLAMP PLATE	2	EA
11		CLAMP PLATE	4	EA
12		PLINTH ASSEMBLY	1	EA
13		CATCH	1	EA
14		BULKHEAD	1	EA

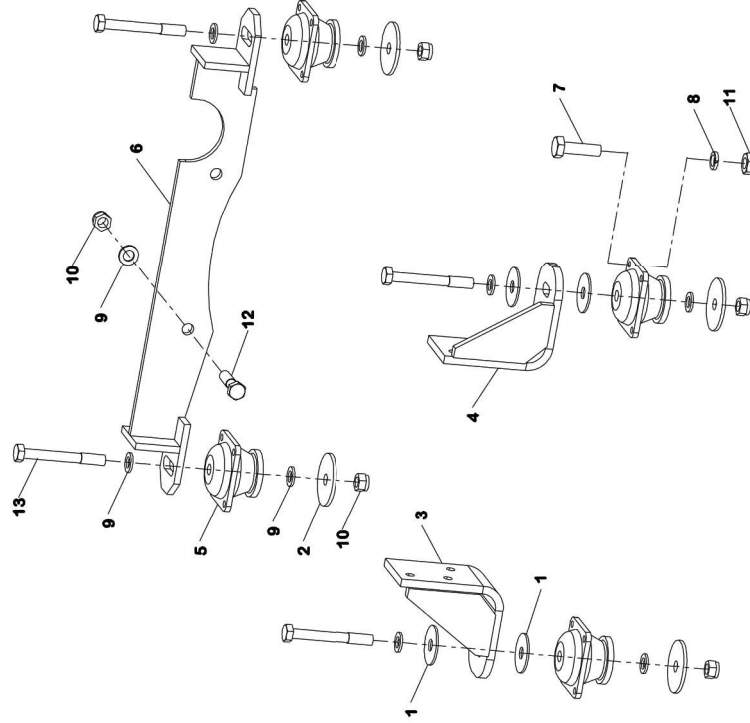
SX8/9000, SXR8000



15	SETScrew	6	EA
16	SETScrew	4	EA
17	SETScrew	4	EA
18	SETScrew	4	EA
19	SETScrew	4	EA
20	WASHER SPRING	6	EA
21	WASHER SPRING	4	EA
22	WASHER SPRING	4	EA
23	WASHER BZP	4	EA
24	WASHER BZP	8	EA
25	NUT NYLOC BZP	6	EA
26	NUT NYLOC BZP	4	EA
27	NUT NYLOC BZP	6	EA
28	M10 NUT BZP	6	EA
29	BOLT	2	EA
30	BOLT	6	EA

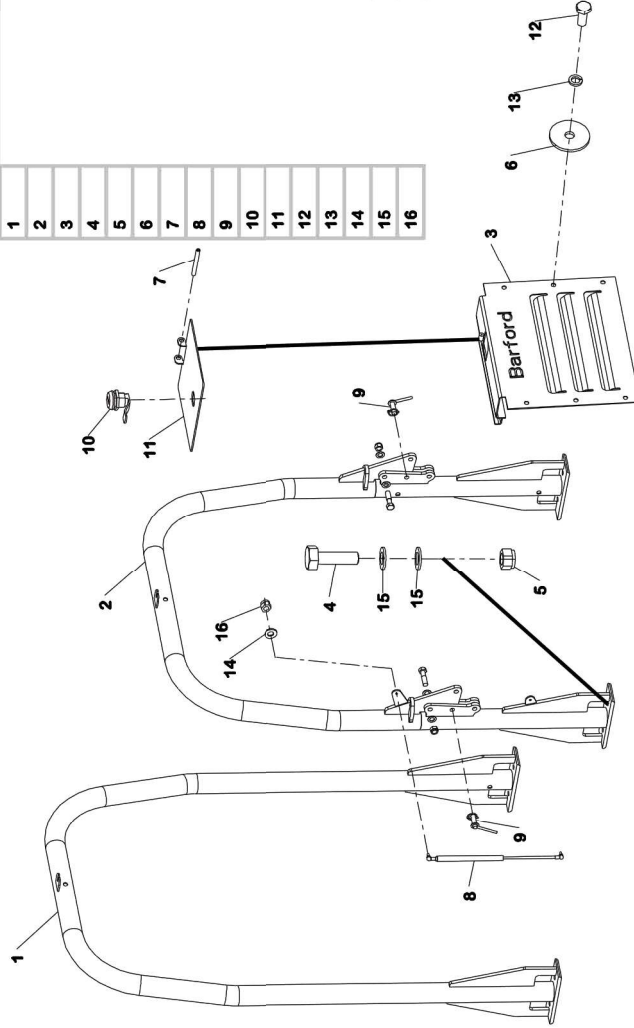
SX5/6/7/8/9000, SXR5/6/7/8000

ENGINE AND TRANSMISSION MOUNTS				
ITEM	PART NO.	DESCRIPTION	QTY	U/M
1		WASHER	4	EA
2		WASHER REBOUND	4	EA
3		BRACKET ENGINE LH	1	EA
4		BRACKET ENGINE RH	1	EA
5		MOUNTING BLUE	4	EA
6		GEARBOX SUPPORT	1	EA
7		SETSCREW	16	EA
8		WASHER SPRING	16	EA
9		WASHER BZP	10	EA
10		NUT NYLOC BZP	6	EA
11		M10 NUT BZP	16	EA
12		BOLT	2	EA
13		BOLT	4	EA

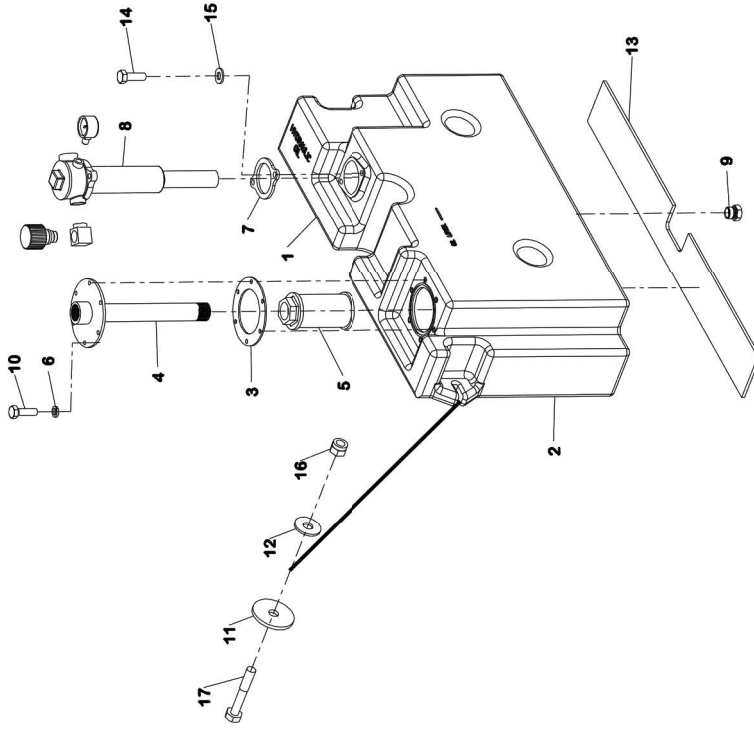


SX5/6/7/8/9000, SXR5/6/7/8000

FOLDING ROPS FRAME AND REAR COVER				
ITEM	PART NO.	DESCRIPTION	QTY	U/M
1		ROPS 5-9T	1	EA
2		ROPS 5-9T FOLDING	1	EA
3		GRILLE SX5-8	1	EA
4		BOLT	4	EA
5		NUT NYLOC	4	EA
6		WASHER TEDDER	6	EA
7		TENSION PIN	1	EA
8		GAS STRUT	1	EA
9		ROPS BOLT KIT (5-9T)	1	EA
10		LOCK	1	EA
11		RADIATOR CAP	1	EA
12		SETSCREW	6	EA
13		WASHER SPRING	6	EA
14		WASHER BZP	2	EA
15		WASHER BZP	8	EA
16		NUT NYLOC BZP	2	EA



SX5/6/7/8/9000, SXR5/6/7/8000

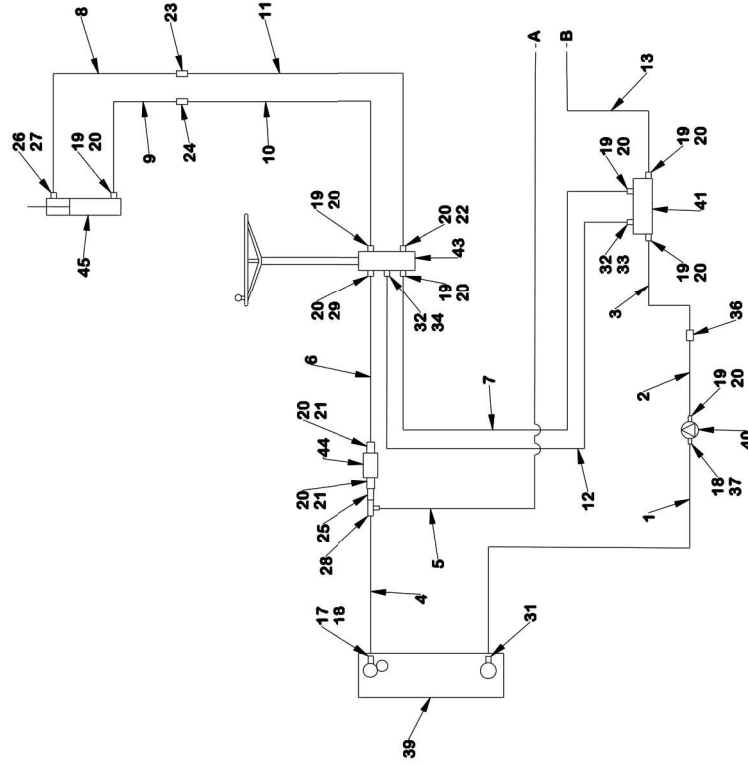


HYDRAULIC TANK				
ITEM	PART NO.	DESCRIPTION	QTY	U/M
1		HYD TANK ASSY (ITEMS 2-10)	1	EA
2		HYD TANK	1	EA
3		STANDPIPE GASKET	1	EA
4		STAND PIPE SUCTION	1	EA
5		SUCTION FILTER	1	EA
6		WASHER SPRING	6	EA
7		GASKET	1	EA
8		RETURN FILTER	1	EA
9		PLUG BLANKING	1	EA
10		BOLT	6	EA
11		WASHER TEDDER	2	EA
12		TEDDER WASHER	2	EA
13		RUBBER PAD	1	EA
14		SETSCREW	2	EA
15		WASHER BZP	2	EA
16		NUT NYLOC BZP	2	EA
17		BOLT	2	EA

SX5/6/7/8/9000

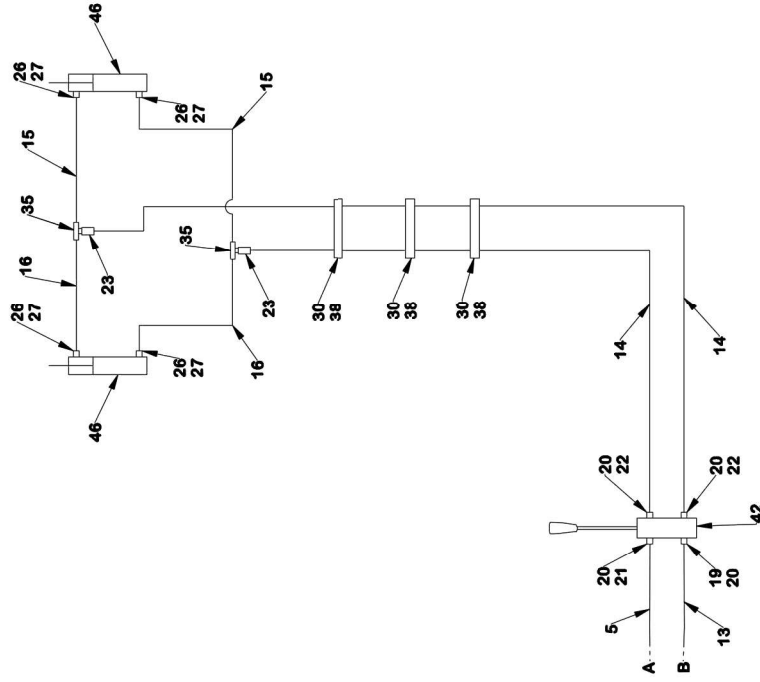
HYDRAULIC SCHEMATICS

ITEM	PART NO.	DESCRIPTION	QTY	U/M
1		HOSE	1	EA
2		HOSE	1	EA
3		HOSE	1	EA
4		HOSE	1	EA
5		HOSE	1	EA
6		HOSE	1	EA
7		HOSE	1	EA
8		HOSE	1	EA
9		HOSE	1	EA
10		HOSE	1	EA
11		HOSE	1	EA
12		HOSE	1	EA
13		HOSE	1	EA
14		HOSE	2	EA
15		HOSE	2	EA
16		HOSE	2	EA
17		CONN 3/4 X 5/8	1	EA
18		BONDED SEAL	3	EA
19		CONN 1/2 X 3/2	8	EA
20		BOND SEAL	15	EA
21		CONN 1/2 X 5/8	3	EA
22		CONN 1/2 X 3/8	3	EA
23		BULKHEAD 3/8	3	EA
24		BULKHEAD 1/2	1	EA
25		BULKHEAD 5/8	1	EA
26		3/8 X 3/8 CONN	5	EA
27		BONDED SEAL	5	EA



SX5/6/7/8/9000

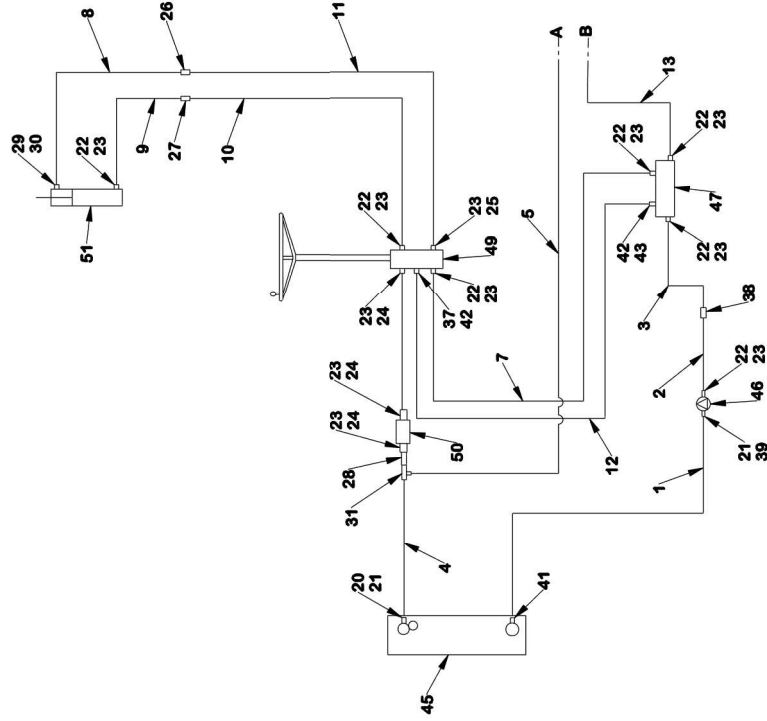
ITEM	PART NO.	DESCRIPTION	QTY	U/M
28		TEE	1	EA
29		CONN 1/2 X 5/8	1	EA
30		CLAMP	3	EA
31		ELBOW	1	EA
32		BONDED SEAL	2	EA
33		CONN 1/4 X 1/4	1	EA
34		ELBOW	1	EA
35		TEE	2	EA
36		TEST POINT	1	EA
37		CONN	1	EA
38		CLAMP	3	EA
39		HYD TANK	1	EA
40		PUMP	1	EA
41		PRIORITY VALVE	1	EA
42		TIP VALVE	1	EA
43		STEERING UNIT	1	EA
44		CHECK VALVE	1	EA
45		STEER RAM	1	EA
46		TIP RAM	2	EA



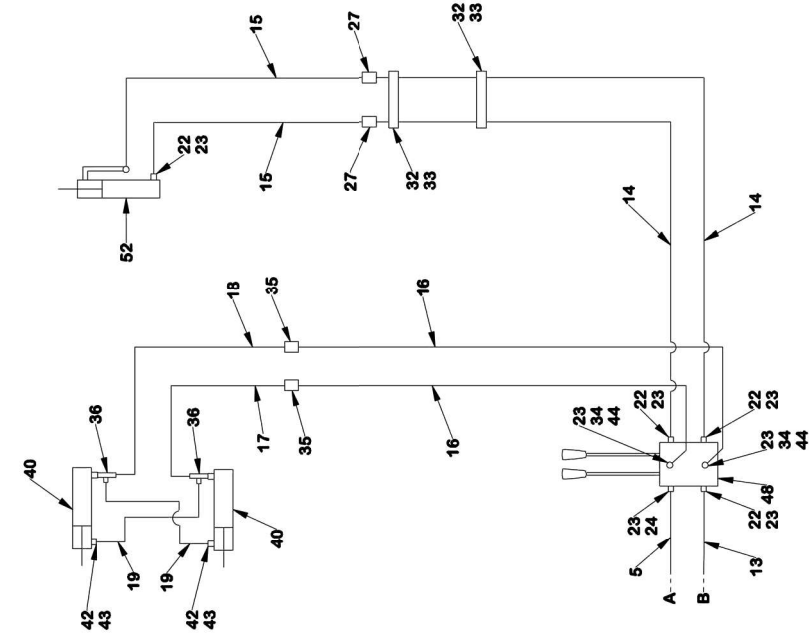
SXR5/6000

HYDRAULIC SCHEMATICS

ITEM	PART NO.	DESCRIPTION	QTY	U/M
1		HOSE	1	EA
2		HOSE	1	EA
3		HOSE	1	EA
4		HOSE	1	EA
5		HOSE	1	EA
6		HOSE	1	EA
7		HOSE	1	EA
8		HOSE	1	EA
9		HOSE	1	EA
10		HOSE	1	EA
11		HOSE	1	EA
12		HOSE	1	EA
13		HOSE	1	EA
14		HOSE	2	EA
15		HOSE	2	EA
16		HOSE	2	EA
17		HOSE	1	EA
18		HOSE	1	EA
19		HOSE	2	EA
20		CONN 3/4 X 5/8	1	EA
21		BONDED SEAL	2	EA
22		CONN 1/2 X 1/2	11	EA
23		BONDED SEAL	16	EA
24		CONN 1/2 X 5/8	4	EA
25		CONN 1/2 X 3/8	1	EA
26		BULKHEAD 3/8	1	EA



SXR5/6000

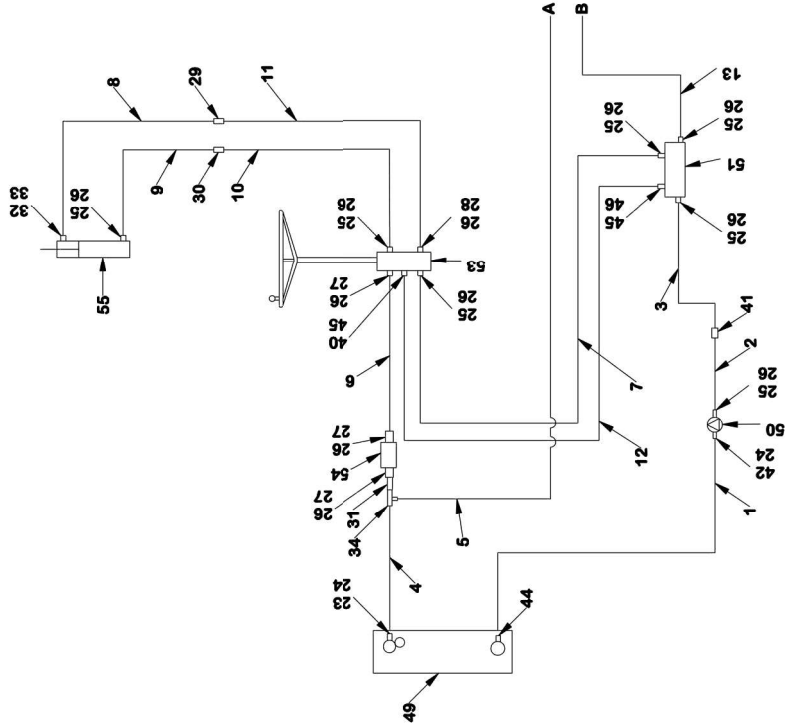


ITEM	PART NO.	DESCRIPTION	QTY	U/M
27		BULKHEAD 1/2	3	EA
28		BULKHEAD 5/8	1	EA
29		CONN 3/8 X 3/8	1	EA
30		BONDED SEAL	1	EA
31		TEE	1	EA
32		CLAMP	2	EA
33		CLAMP	2	EA
34		CONN 1/2 X 1/4	2	EA
35		BULKHEAD 1/4	2	EA
36		TEE	2	EA
37		ELBOW	1	EA
38		TEST PORT	1	EA
39		CONN	1	EA
40		SLEW RAM	2	EA
41		ELBOW	1	EA
42		BONDED SEAL	4	EA
43		CONN 1/4 X 1/4	3	EA
44		RESTRICTOR	2	EA
45		HYD TANK	1	EA
46		PUMP	1	EA
47		PRIORITY VALVE	1	EA
48		CONTROL VALVE	1	EA
49		STEERING UNIT	1	EA
50		CHECK VALVE	1	EA
51		STEERING RAM	1	EA
52		TIP RAM	1	EA

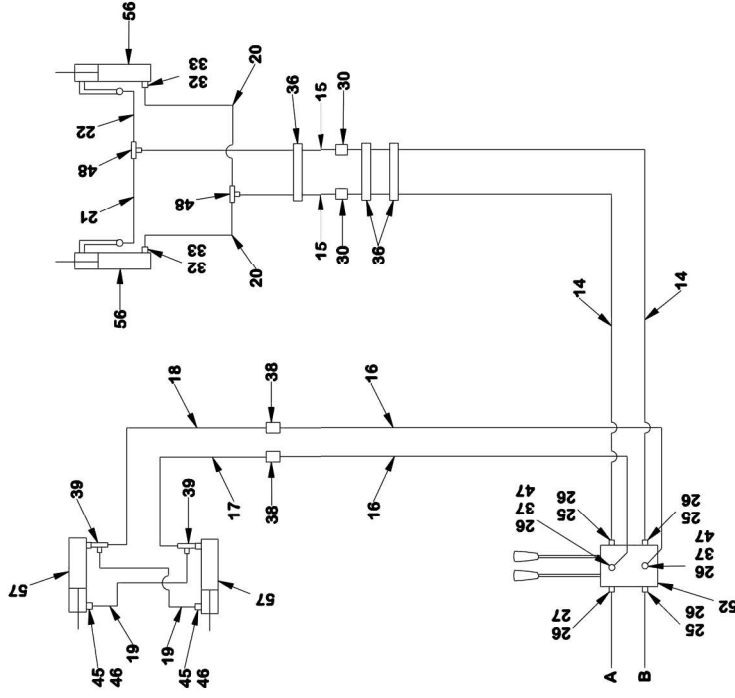
SXR7/8000

HYDRAULIC SCHEMATICS

ITEM	PART NO.	DESCRIPTION	QTY	U/M
1		HOSE	1	EA
2		HOSE	1	EA
3		HOSE	1	EA
4		HOSE	1	EA
5		HOSE	1	EA
6		HOSE	1	EA
7		HOSE	1	EA
8		HOSE	1	EA
9		HOSE	1	EA
10		HOSE	1	EA
11		HOSE	1	EA
12		HOSE	1	EA
13		HOSE	1	EA
14		HOSE	2	EA
15		HOSE	2	EA
16		HOSE	2	EA
17		HOSE	1	EA
18		HOSE	1	EA
19		HOSE	2	EA
20		HOSE	2	EA
21		HOSE	1	EA
22		HOSE	1	EA
23		CONN 3/4 X 5/8	1	EA
24		BONDED SEAL	1	EA
25		CONN 1/2 X 1/2	10	EA
26		BOND SEAL	18	EA
27		CONN 1/2 X 5/8	3	EA

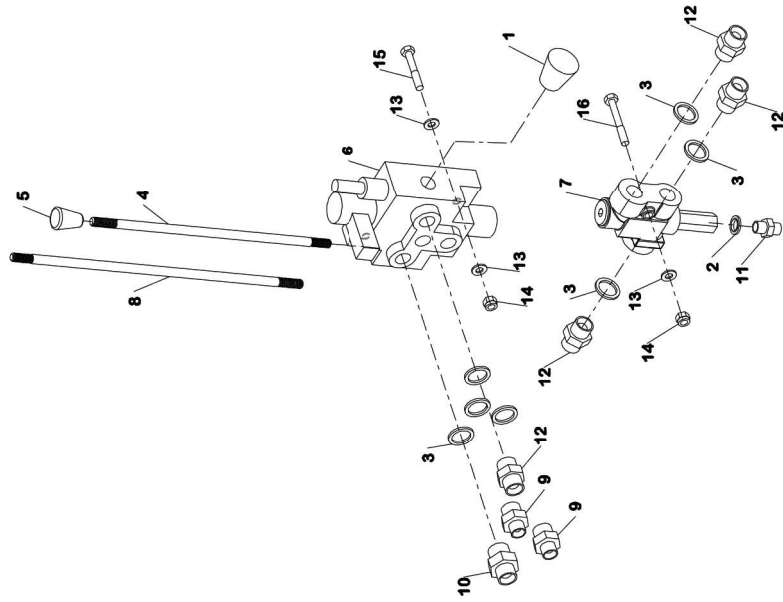


SXR7/8000



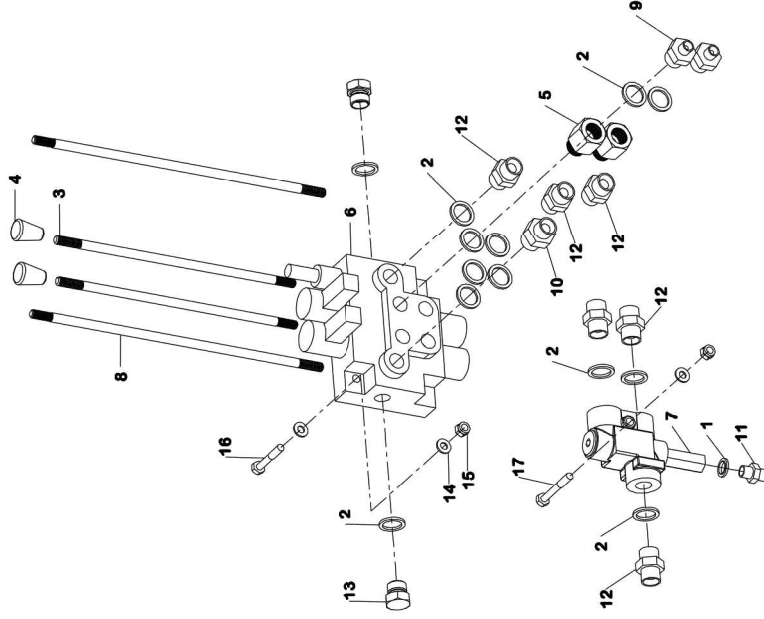
28	CONN 1/2 X 3/8	1	EA
29	BULKHEAD 3/8	1	EA
30	BULKHEAD 1/2	3	EA
31	BULKHEAD 5/8	1	EA
32	CONN 3/8 X 3/8	3	EA
33	BONDED SEAL	3	EA
34	TEE	1	EA
35	CLAMP	3	EA
36	CLAMP	3	EA
37	CONN 1/2 X 1/4	2	EA
38	BULKHEAD 1/4	2	EA
39	TEE 1/4	2	EA
40	ELBOW	1	EA
41	TEST POINT	1	EA
42	CONN	1	EA
43	ELBOW	1	EA
44	BONDED SEAL	3	EA
45	CONN 1/4 X 1/4	3	EA
46	RESTRICTOR	2	EA
47	TEE	2	EA
48	HYD TANK	1	EA
49	PUMP	1	EA
50	PRIORITY VALVE	1	EA
51	CONTROL VALVE	1	EA
52	STEERING UNIT	1	EA
53	CHECK VALVE	1	EA
54	STEERING RAM	1	EA
55	TIP RAM	2	EA
56	SLEW RAM	2	EA

SX5/6/7/8/9000



HYDRAULIC CONTROL VALVES				
ITEM	PART NO.	DESCRIPTION	QTY	UM
1		PLUG	2	EA
2		BONDED SEAL	1	EA
3		BONDED SEAL	7	EA
4		HANDLE SX5/6/7000 SXRS5/6/7000	1	EA
5		CAP END	1	EA
6		TIP VALVE SINGLE SPOOL	1	EA
7		PRIORITY VALVE	1	EA
8		HANDLE SX8/9000 SXR8000	1	EA
9		ADAPTER M-M 3/4" BSP	2	EA
10		ADAPTER M-M 3/4" BSP	1	EA
11		ADAPTER M-M 3/4" BSP	1	EA
12		ADAPTER M-M 3/4" BSP	4	EA
13		WASHER BZP	7	EA
14		NUT NYLOC BZP	4	EA
15		BOLT	3	EA
16		BOLT	1	EA
N/A		END CAP ASSY SPRING	1	EA

SXR5/6/7/8/9000



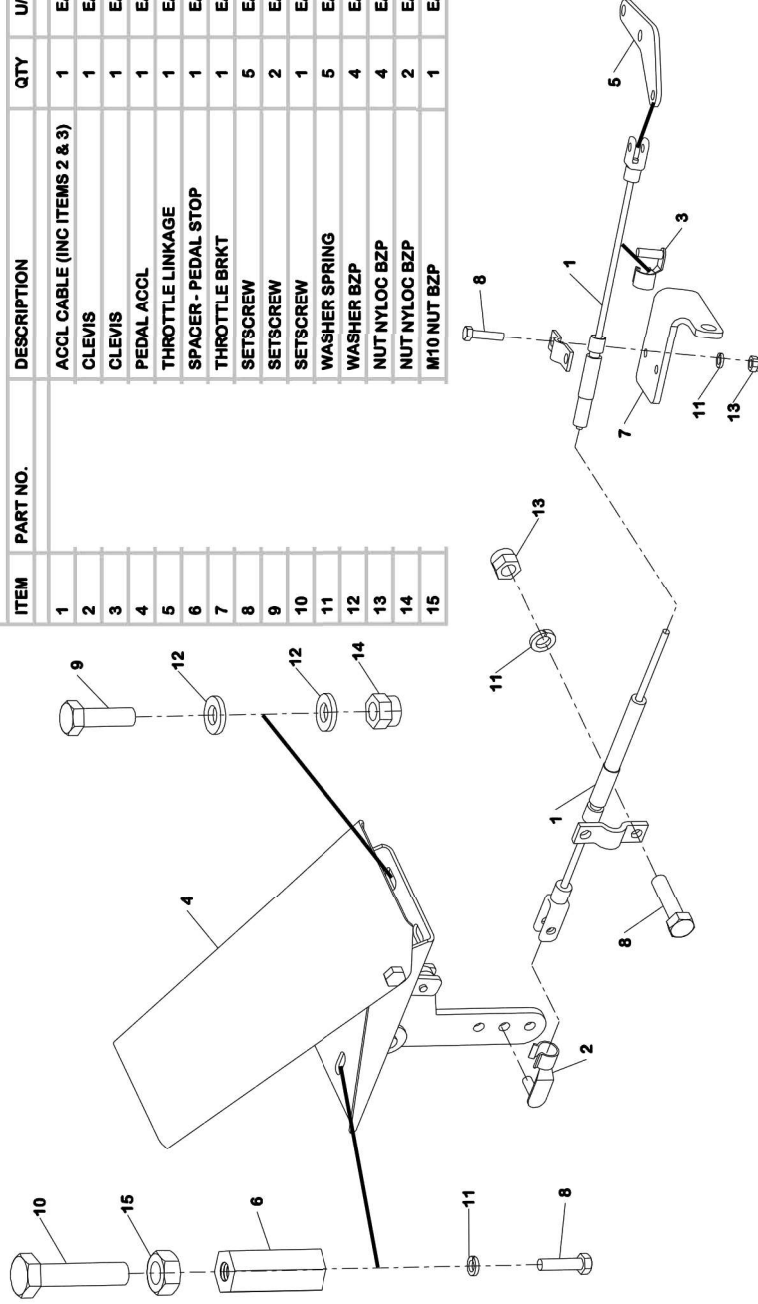
HYDRAULIC CONTROL VALVES

ITEM	PART NO.	DESCRIPTION	QTY	U/M
1		BONDED SEAL	1	EA
2		BONDED SEAL	13	EA
3		HANDLE SX5/6/7000 SXR5/6/7000	2	EA
4		CAP END	2	EA
5		RESTRICTOR ADAPTER	2	EA
6		TIP VALVE TWIN SPOOL	1	EA
7		PRIORITY VALVE	1	EA
8		HANDLE SX8/9000 SXR8000	2	EA
9		ADAPTER M-M 3/4" BSP	2	EA
10		ADAPTER M-M 3/4" BSP	1	EA
11		ADAPTER M-M 3/4" BSP	1	EA
12		ADAPTER M-M 3/4" BSP	6	EA
13		PLUG BLANKING	2	EA
14		WASHER BZP	7	EA
15		NUT NYLOC BZP	4	EA
16		BOLT	3	EA
17		BOLT	1	EA
N/A		END CAP ASSY SPRING	1	EA

SX5/6/7/8/9000, SXR5/6/7/8000

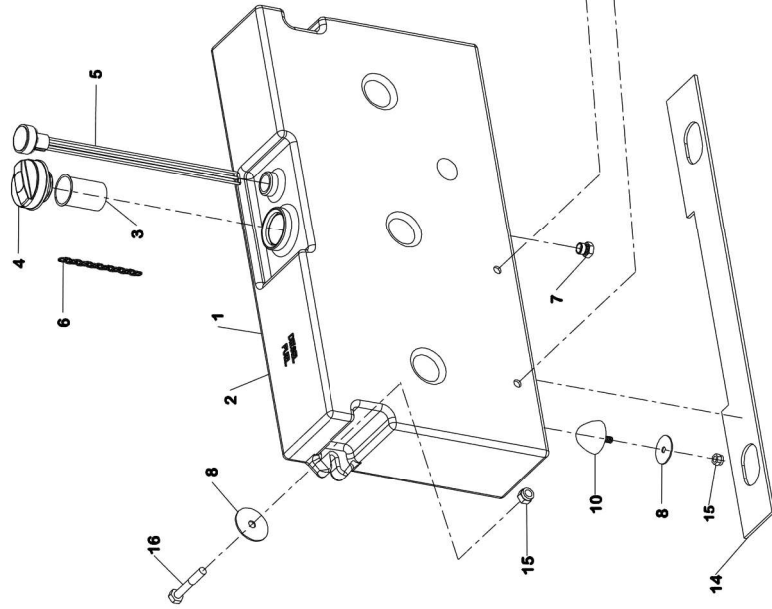
THROTTLE ASSEMBLY

ITEM	PART NO.	DESCRIPTION	QTY	U/M
1		ACCL CABLE (INC ITEMS 2 & 3)	1	EA
2		CLEVIS	1	EA
3		CLEVIS	1	EA
4		PEDAL ACCL	1	EA
5		THROTTLE LINKAGE	1	EA
6		SPACER - PEDAL STOP	1	EA
7		THROTTLE BRKT	1	EA
8		SETScrew	5	EA
9		SETScrew	2	EA
10		SETScrew	1	EA
11		WASHER SPRING	5	EA
12		WASHER BZP	4	EA
13		NUT NYLOC BZP	4	EA
14		NUT NYLOC BZP	2	EA
15		M10 NUT BZP	1	EA

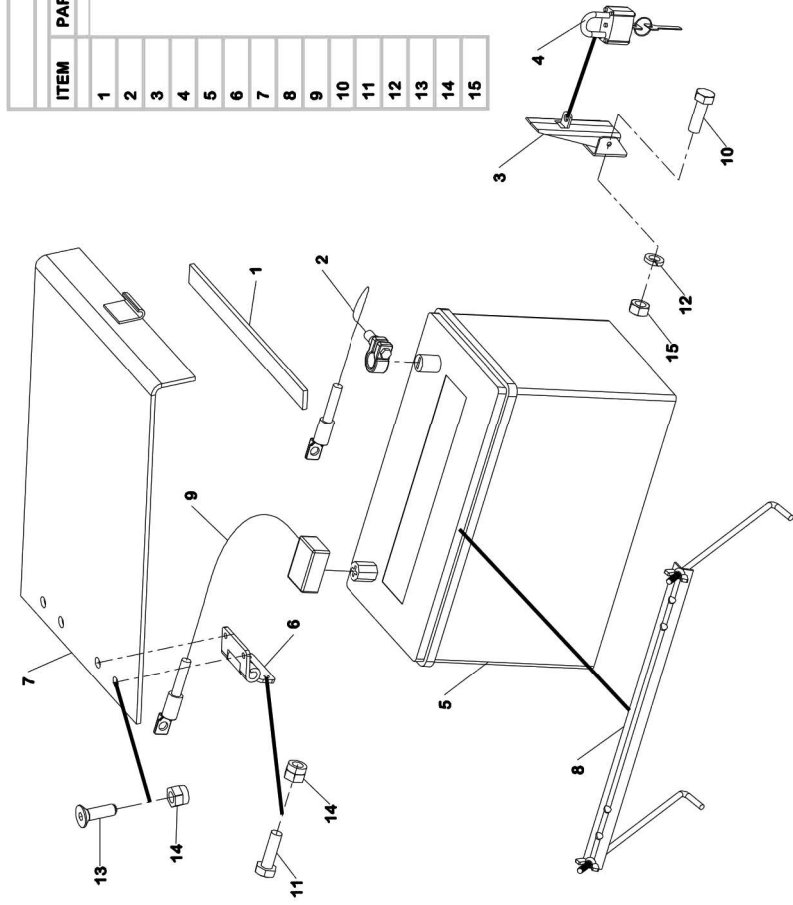


SX5/6/7/8/9000, SX5/6/7/8000

FUEL TANK ASSEMBLY				
ITEM	PART NO.	DESCRIPTION	QTY	U/M
1		TANK 5-9T ASS (ITEMS 2-7)	1	EA
2		FUEL TANK 5-9T	1	EA
3		STRAINER BASKET	1	EA
4		FILLER CAP	1	EA
5		GAUGE LEVEL	1	EA
6		CHAIN	1	EA
7		PLUG BLANKING	1	EA
8		WASHER	4	EA
9		FIBER WASHER	2	EA
10		RUBBER BOSS	2	EA
11		PIPE	1	EA
12		ELBOW	2	EA
13		PIPE	1	EA
14		RUBBER PAD	1	EA
15		NUT NYLOC BZP	4	EA
16		BOLT	2	EA
17		HOSE CLIP	2	EA



SX5/6/7/8/9000, SXR5/6/7/8000

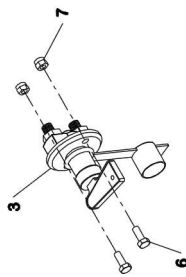
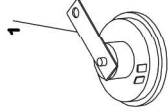
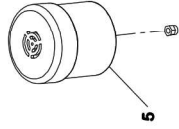


ITEM	PART NO.	DESCRIPTION	QTY	U/M
1		RUBBER STRIP	1	EA
2		CBL. BATTERY EARTH LEAD	1	EA
3		STRIKE	1	EA
4		PADLOCK	1	EA
5		BATTERY	1	EA
6		HINGE	2	EA
7		LID	1	EA
8		BATTERY CLAMP	1	EA
9		CBL. BATTERY EARTH LEAD	1	EA
10		SETSREW	2	EA
11		SETSREW	4	EA
12		WASHER SPRING	2	EA
13		SCREW-HEX-SOC-CSK-HD	4	EA
14		NUT NYLOC BZP	8	EA
15		M10 NUT BZP	2	EA

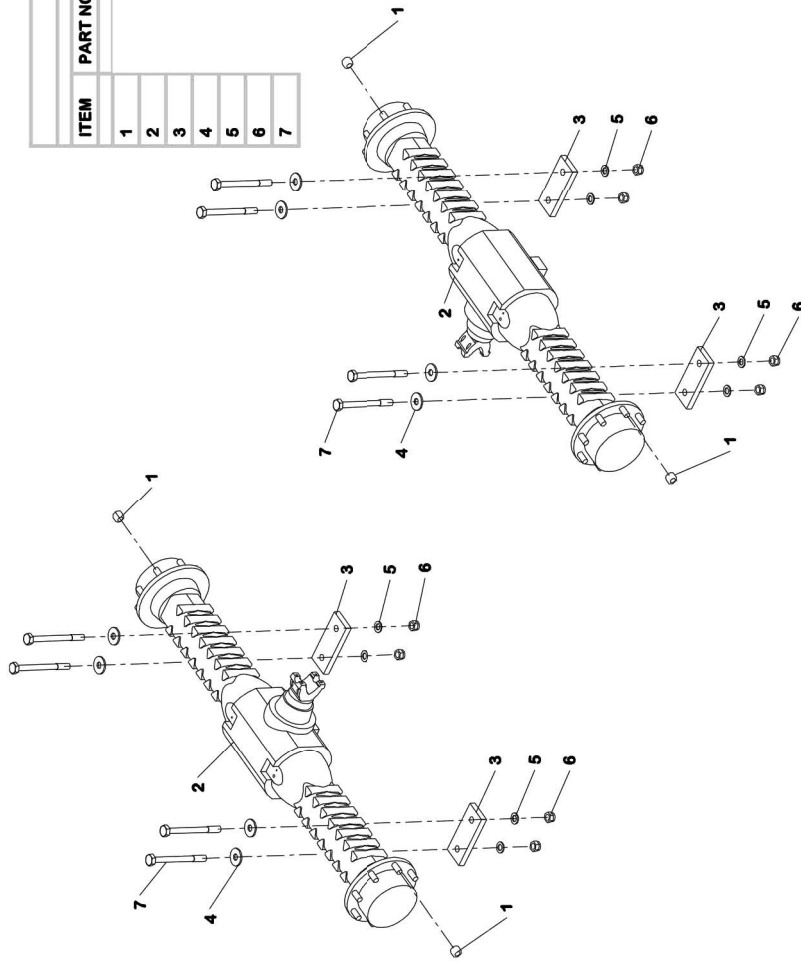
BATTERY AND FIXINGS

SX5/6/7/8/9000, SXR5/6/7/8000

ELECTRICAL GENERAL				
ITEM	PART NO.	DESCRIPTION	QTY	U/M
1		HORN	1	EA
2		HOURS METER	1	EA
3		BATTERY ISOLATOR	1	EA
4		PRESSURE SWITCH	1	EA
5		REVERSE BLEEPER	1	EA
6		SETSCREW	2	EA
7		NUT NYLOC BZP	3	EA
N/A		LOOM CHASSIS	1	EA

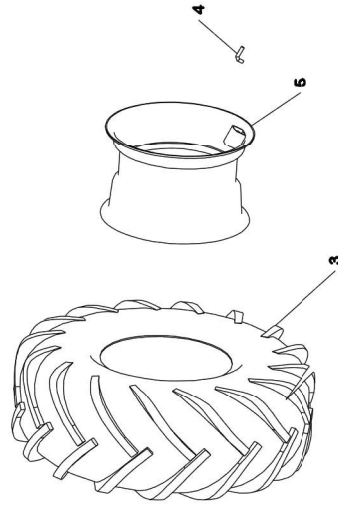


SX5/6/7/8/9000, SXR5/6/7/8000



AXLES				
ITEM	PART NO.	DESCRIPTION	QTY	U/M
1		NUT	32	EA
2		AXLE 5-9T	2	EA
3		LOCKING PLATE	4	EA
4		WASHER	8	EA
5		WASHER BZP	8	EA
6		NUT NYLOC BZP	8	EA
7		BOLT	8	EA

SX5/6/7/8/9000, SXR5/6/7/8000



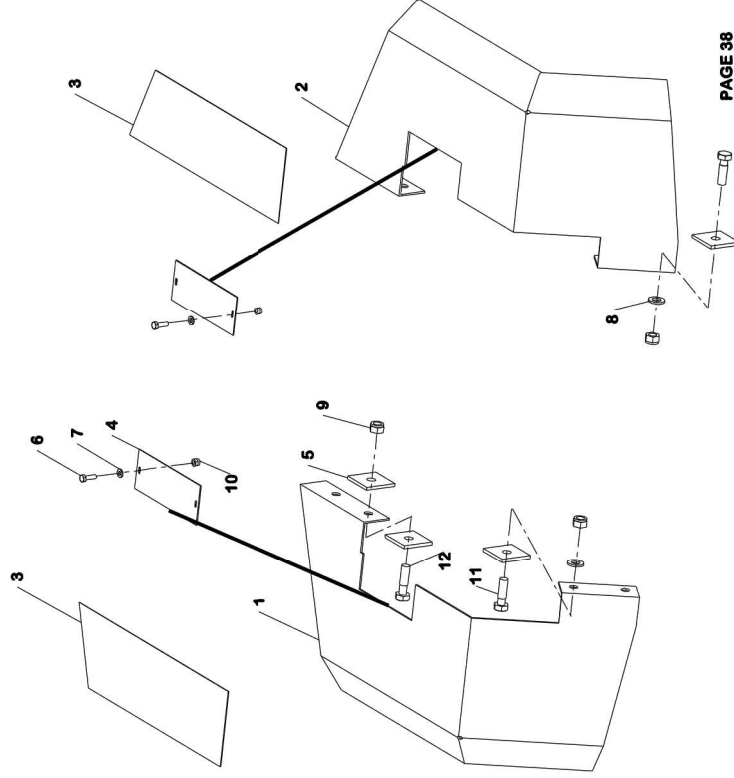
FOR NON STANDARD WHEELS AND TYRES
PLEASE CONTACT YOUR DEALER QUOTING
YOUR MACHINE SERIAL NUMBER

ITEM	PART NO.	DESCRIPTION	QTY	U/M
1		SXR5000		
2		TYRE ASSY.RH	2	EA.
3		TYRE ASSY.LH	2	EA
4		TYRE 12.0/75-18 12PR TRACTIVE	4	EA
5		VALVE FAD-NO.Z6001	4	EA
		RIM 9.00 X 18 (4-5T)	4	EA

WHEELS AND TYRES				
ITEM	PART NO.	DESCRIPTION	QTY	U/M
		SX5000		
1		TYRE ASSY.RH	2	EA
2		TYRE ASS. LH	2	EA
3		VALVE -FAD NO. Z6001	4	EA
4		TYRE 12.5/80 12PR	4	EA
5		RIM 9.00 X 18 (4-5T)	4	EA
		SX6000, SXR6000		
1		TYRE ASSY. RH	2	EA
2		TYRE ASSY. LH	2	EA
3		TYRE 405/70X20 14PR TRACTIVE	4	EA
4		VALVE-FAD NO.Z6000	4	EA
5		RIM-W13 (6T)	4	EA
		SX7000, SXR7000		
1		TYRE ASSY. RH	2	EA
2		TYRE ASSY. LH	2	EA
3		TYRE 405/70X20 14PR TRACTIVE	4	EA
4		VALVE-FAD NO.Z6000	4	EA
5		RIMW13 (7T)	4	EA
		SX8/9000, SXR8000		
1		TYRE ASSY. RH	2	EA
2		TYRE ASSY. LH	2	EA
3		VALVE-FAD NO.Z6001	4	EA
4		TYRE 18.0/80-19.5 TUBELESS	4	EA
5		RIM 13.0 X 19.5 (8-9T)	4	EA

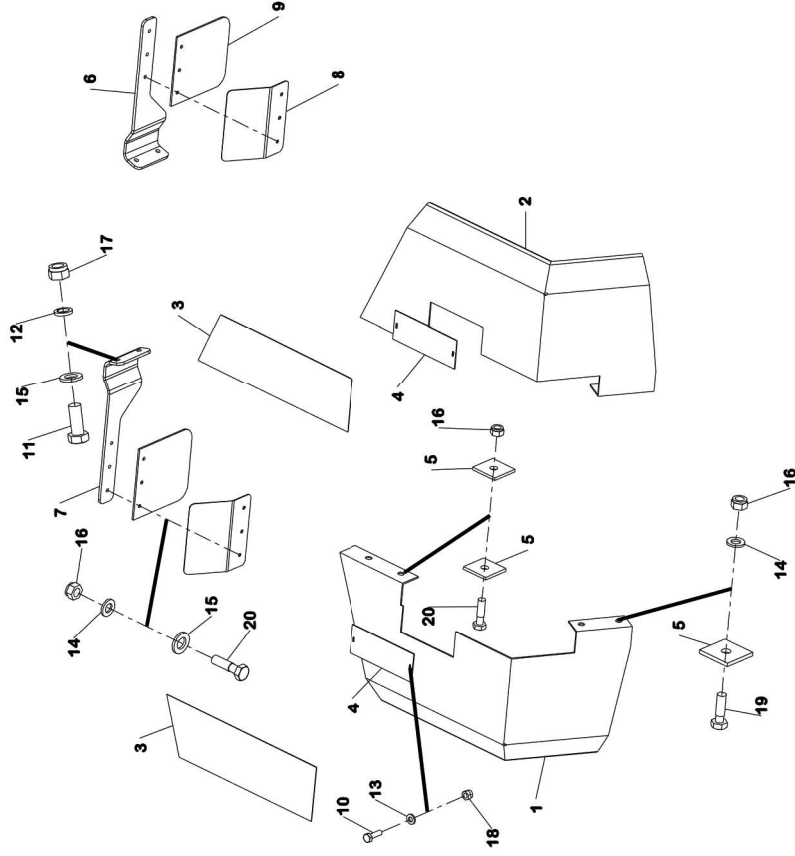
SX5/6/7/8/9000

MUD GUARDS				
ITEM	PART NO.	DESCRIPTION	QTY	U/M
1		WING LH	1	EA
2		WING RH	1	EA
3		SAFETY WALK 900MM	2	EA
4		BLANK PLATE	2	EA
5		WASHER	12	EA
6		SETSCREW	4	EA
7		WASHER BZP	4	EA
8		WASHER BZP	4	EA
9		NUT NYLOC BZP	8	EA
10		NUT NYLOC BZP	4	EA
11		BOLT	4	EA
12		BOLT	4	EA

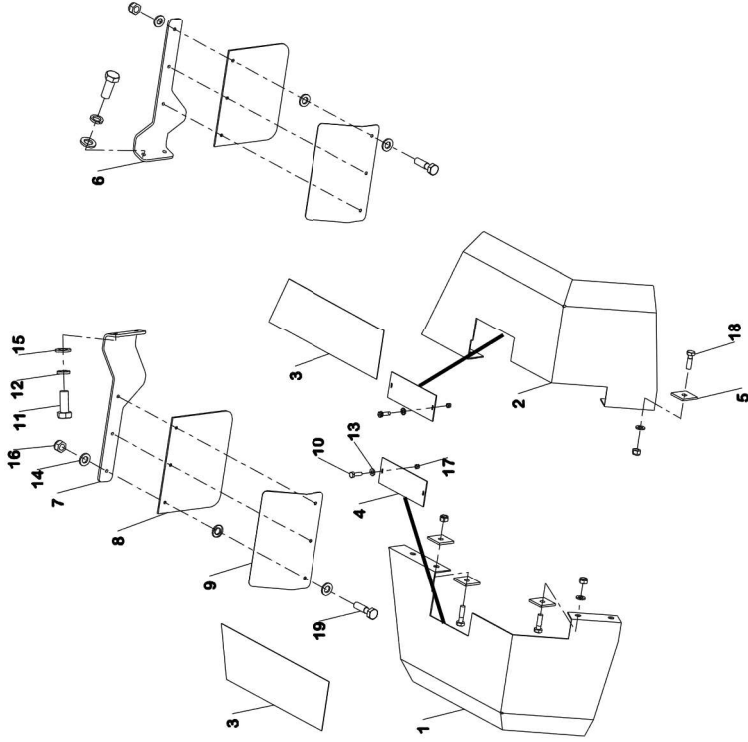


SXR5000

MUD GUARDS ROTA				
ITEM	PART NO.	DESCRIPTION	QTY	U/M
1		WING LH	1	EA
2		WING RH	1	EA
3		SAFETY WALK 900MM	2	EA
4		BLANK PLATE	2	EA
5		WASHER	12	EA
6		MUDGUARD RH	1	EA
7		MUDGUARD LH	1	EA
8		MUDSHIELD	2	EA
9		MUDFLAP	2	EA
10		SETSCREW	4	EA
11		SETSCREW	4	EA
12		WASHER SPRING	4	EA
13		WASHER BZP	4	EA
14		WASHER BZP	10	EA
15		WASHER BZP	10	EA
16		NUT NYLOC BZP	14	EA
17		NUT NYLOC BZP	4	EA
18		NUT NYLOC BZP	4	EA
19		BOLT	4	EA
20		BOLT	10	EA



SXR6/7/8000

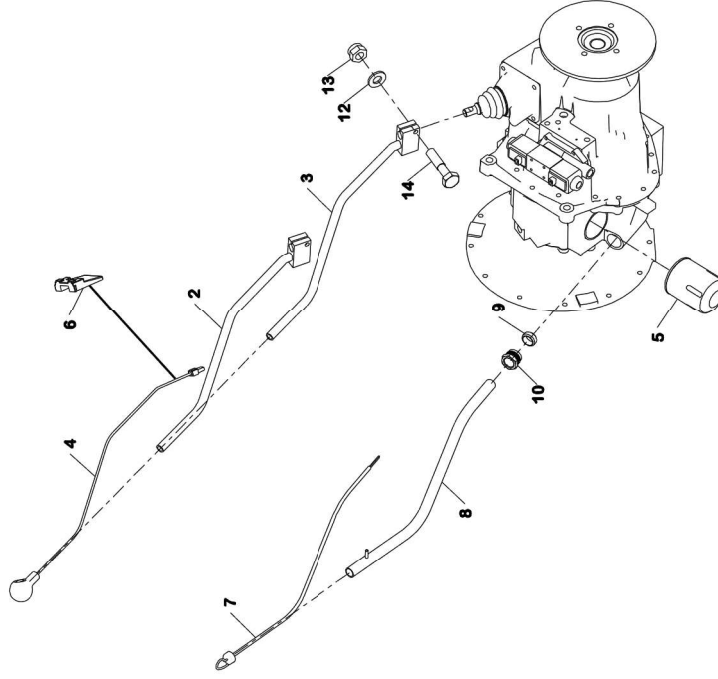


ITEM	PART NO.	DESCRIPTION	QTY	U/M
1		WING LH	1	EA
2		WING RH	1	EA
3		SAFETY WALK 900MM	2	EA
4		BLANK PLATE	2	EA
5		WASHER	12	EA
6		MUDGUARD RH	1	EA
7		MUDGUARD LH	1	EA
8		MUDFLAP	2	EA
9		MUD SHIELD	2	EA
10		SETScrew	4	EA
11		SETScrew	4	EA
12		WASHER SPRING	4	EA
13		WASHER BZP	4	EA
14		WASHER BZP	22	EA
15		WASHER BZP	4	EA
16		NUT NYLOC BZP	14	EA
17		NUT NYLOC BZP	4	EA
18		BOLT	4	EA
19		BOLT	10	EA

MUD GUARDS ROTA

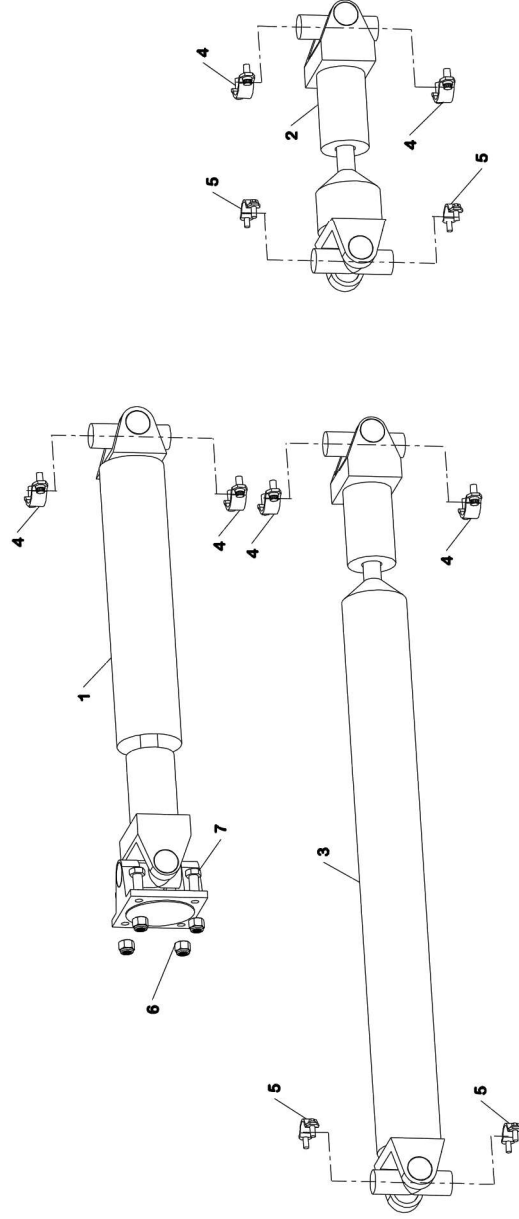
SX5/6/7/8/9000, SXR5/6/7/8000

TRANSMISSION				
ITEM	PART NO.	DESCRIPTION	QTY	U/M
2		GEAR LEVER FAB 5-7T	1	EA
3		GEAR LEVER FAB 8 & 9 T	1	EA
4		DUMP SWITCH CABLE	1	EA
5		OIL FILTER	1	EA
6		WEDGE	1	EA
7		DIPSTICK	1	EA
8		DIPSTICK TUBE	1	EA
9		DIPSTICK SEAL	1	EA
10		DIPSTICK LOCKNUT	1	EA
11		TRANSMISSION	1	EA
12		WASHER BZP	1	EA
13		NUT NYLOC BZP	1	EA
14		BOLT	1	EA



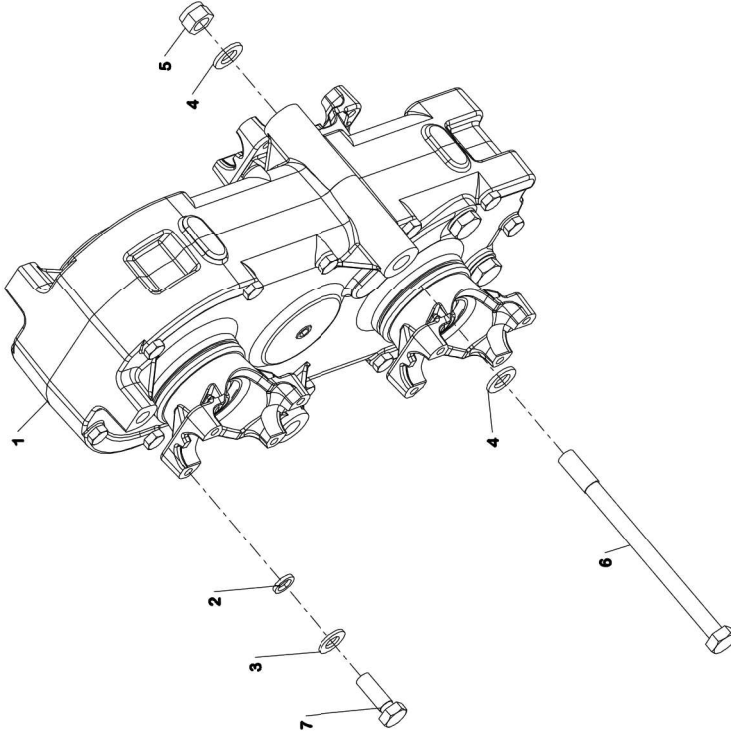
SX5/6/7/8/9000, SXR5/6/7/8000

PROP SHAFTS				
ITEM	PART NO.	DESCRIPTION	QTY	U/M
1		PROPSHAFT	1	EA
2		PROPSHAFT	1	EA
3		PROPSHAFT	1	EA
4		STRAP KIT 1480	6	EA
5		STRAP KIT 1410	4	EA
6		NYLOC NUT BZP1/2 UNF	4	EA
7		BOLT BZP 1/2 UNF 1-1/2	4	EA



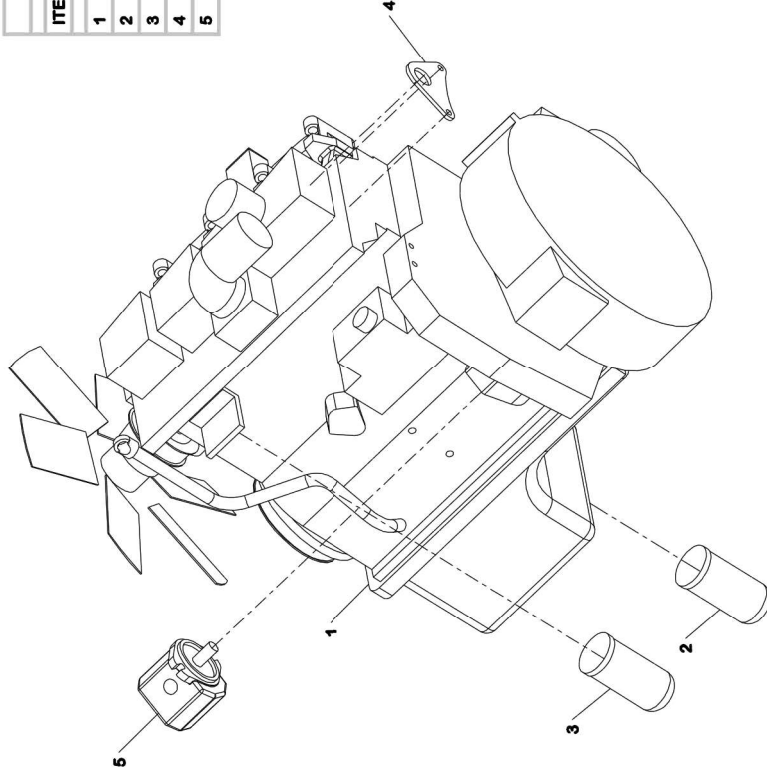
SX5/6/7/8/9000, SXR5/6/7/8000

DROP BOX				
ITEM	PART NO.	DESCRIPTION	QTY	U/M
1		DROPBOX	1	EA
2		WASHER SPRING	1	EA
3		WASHER BZP	1	EA
4		WASHER BZP	4	EA
5		NUT NYLOC BZP	2	EA
6		BOLT	2	EA
7		BOLT	1	EA



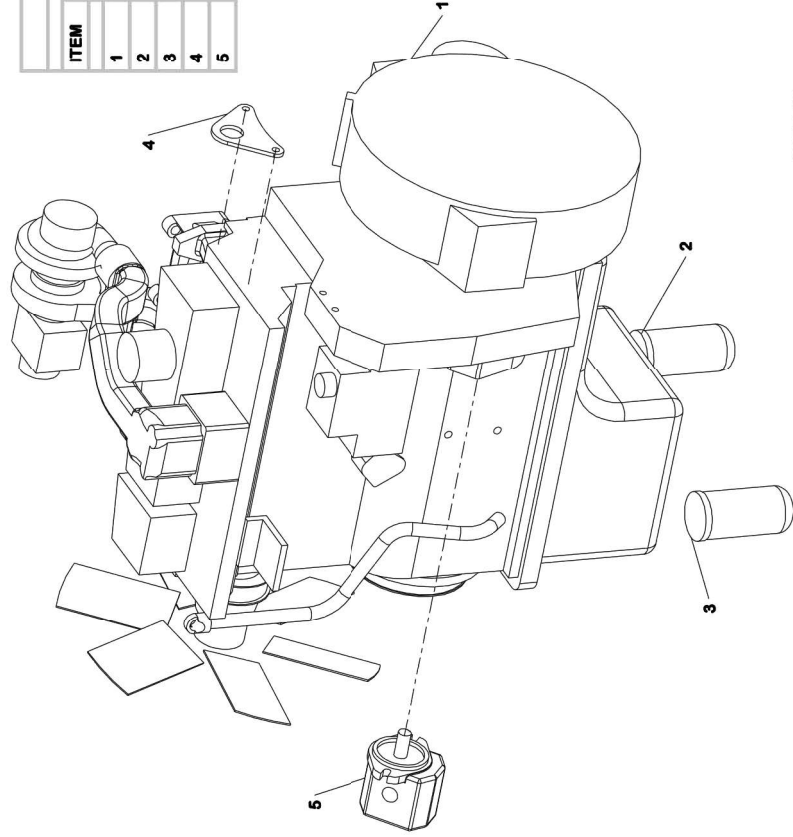
SX5/6000, SXR5/6000

ENGINE AND ACCESSORIES				
ITEM	PART NO.	DESCRIPTION	QTY	UM
1		ENGINE IVECO TIER II	1	EA
2		OIL FILTER	1	EA
3		FUEL FILTER	1	EA
4		LIFTING BRKT	1	EA
5		PUMP 25CC	1	EA



PLEASE SEE ENGINE MANUAL
AND CONTACT YOUR LOCAL
DEALER WITH YOUR ENGINE
SERIAL NUMBER

SX718/9000, SXR718000



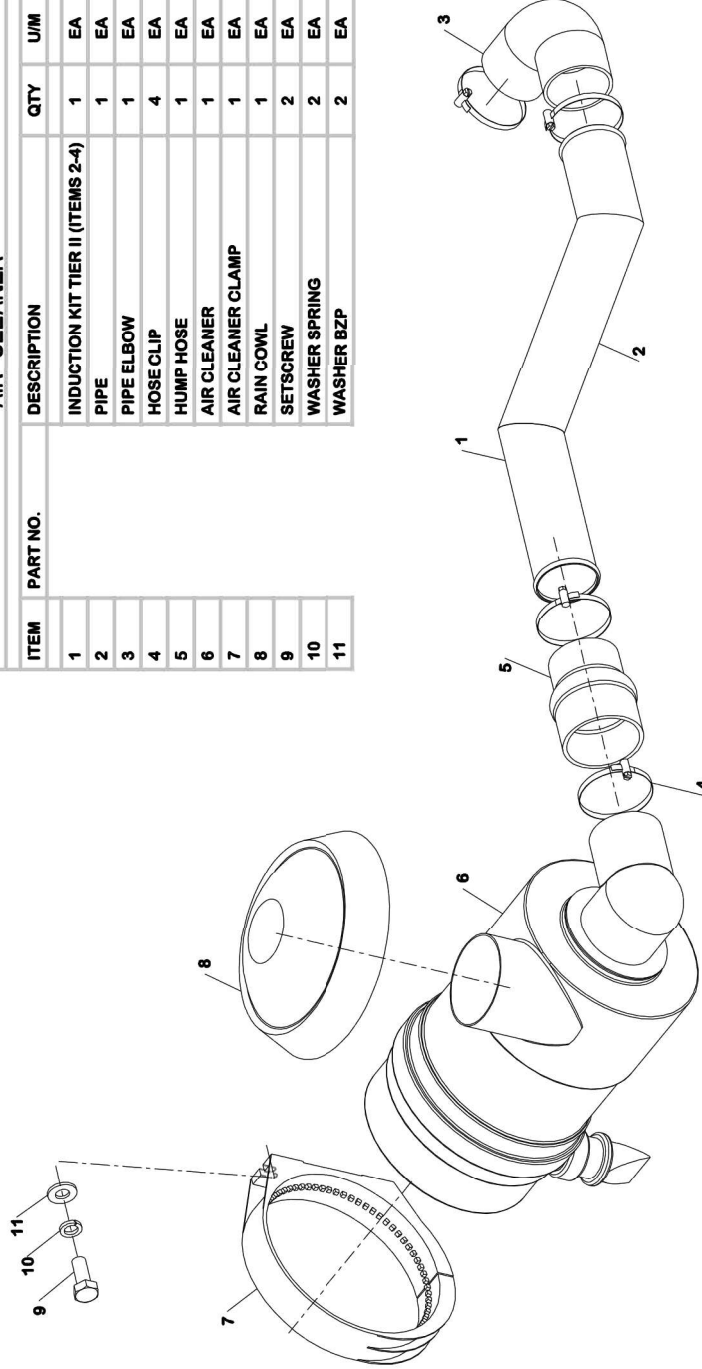
ENGINE AND ACCESSORIES

ITEM	PART NO.	DESCRIPTION	QTY	U/M
1		ENGINE TURBO IVECO TIER 2	1	EA
2		OIL FILTER	1	EA
3		FUEL FILTER	1	EA
4		LIFTING BRKT	1	EA
5		PUMP 25CC	1	EA

PLEASE SEE ENGINE MANUAL
AND CONTACT YOUR LOCAL
DEALER WITH YOUR ENGINE
SERIAL NUMBER

SX5/6000, SXR5/6000

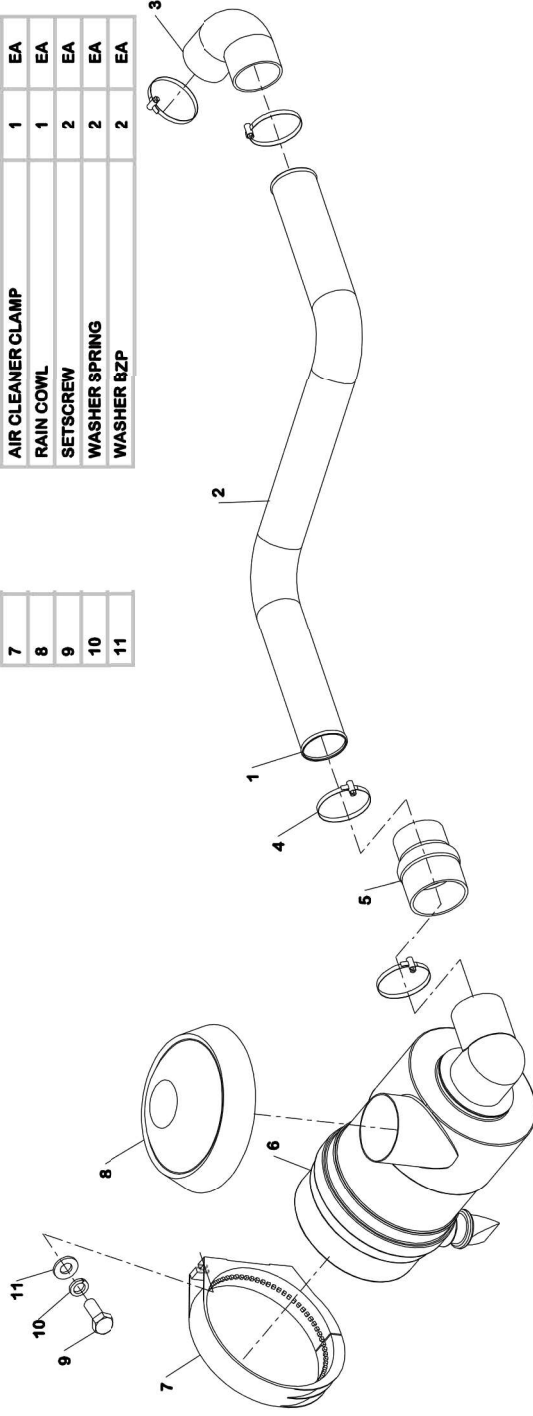
AIR CLEANER				
ITEM	PART NO.	DESCRIPTION	QTY	U/M
1		INDUCTION KIT TIER II (ITEMS 2-4)	1	EA
2		PIPE	1	EA
3		PIPE ELBOW	1	EA
4		HOSE CLIP	4	EA
5		HUMP HOSE	1	EA
6		AIR CLEANER	1	EA
7		AIR CLEANER CLAMP	1	EA
8		RAIN COWL	1	EA
9		SETSCREW	2	EA
10		WASHER SPRING	2	EA
11		WASHER BZP	2	EA



SX7/8/9000, SXR7/8000

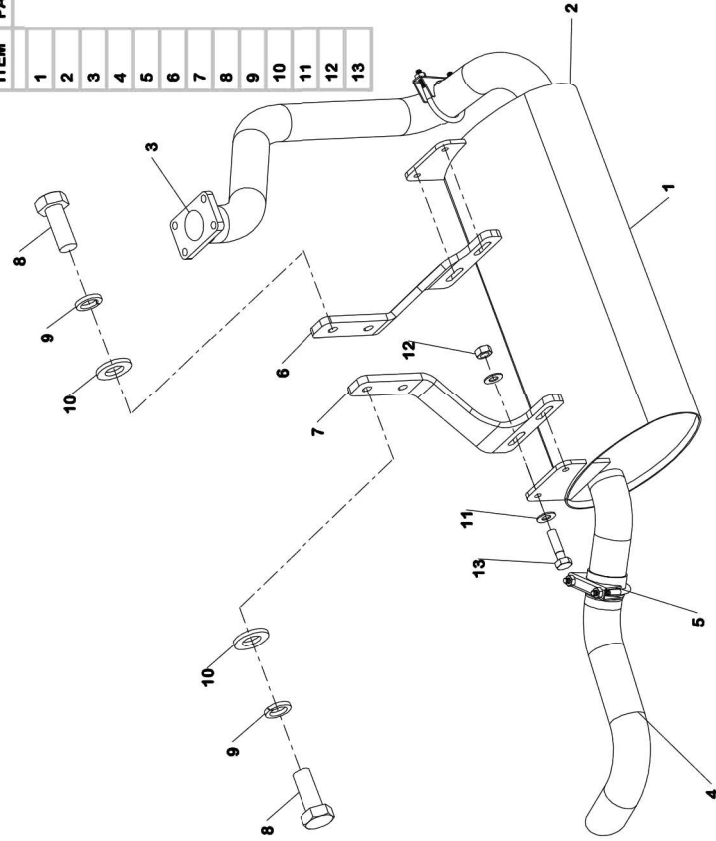
AIR CLEANER TURBO

ITEM	PART NO.	DESCRIPTION	QTY	U/M
1		INDUCTION KIT TURBO (ITEMS 2-4)	1	EA
2		AIR PIPE TIER 2 TURBO	1	EA
3		PIPE ELBOW	1	EA
4		HOSE CLIP	4	EA
5		HUMP HOSE	1	EA
6		AIR CLEANER	1	EA
7		AIR CLEANER CLAMP	1	EA
8		RAIN COWL	1	EA
9		SETSCREW	2	EA
10		WASHER SPRING	2	EA
11		WASHER BZP	2	EA

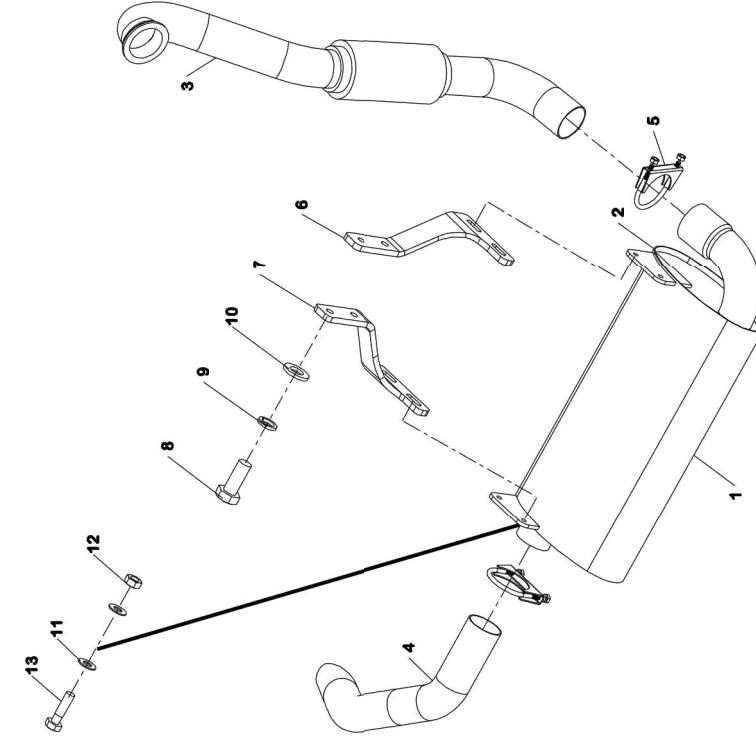


SX5/6000, SXR5/6000

EXHAUST				
ITEM	PART NO.	DESCRIPTION	QTY	U/M
1		SILENCER KIT NON TURBO (ITEMS 2-5)	1	EA
2		SILENCER	1	EA
3		EXHAUST PIPE TIER II	1	EA
4		TAIL PIPE TIER II	1	EA
5		C CLAMP	2	EA
6		SILENCER SUPPORT LH	1	EA
7		SILENCER SUPPORT RH	1	EA
8		SETSCREW	4	EA
9		WASHER SPRING	4	EA
10		WASHER BZP	4	EA
11		WASHER BZP	8	EA
12		M10 NUT BZP	4	EA
13		BOLT	4	EA



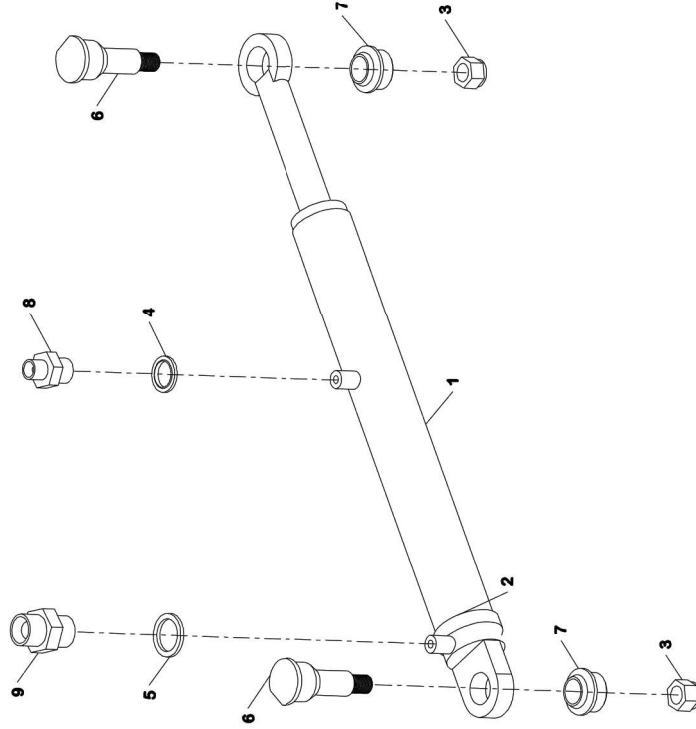
SX7/8/9000, SXR7/8000



EXHAUST TURBO				
ITEM	PART NO.	DESCRIPTION	QTY	U/M
1		SILENCER KIT TURBO (ITEMS 2-5)	1	EA
2		SILENCER TURBO TIER 2	1	EA
3		EXHAUST PIPE TURBO TIER 2	1	EA
4		TAIL PIPE TURBO TIER 2	1	EA
5		C CLAMP	2	EA
6		SILENCER SUPPORT LH	1	EA
7		SILENCER SUPPORT RH	1	EA
8		SETSCREW	4	EA
9		WASHER SPRING	4	EA
10		WASHER BZP	4	EA
11		WASHER BZP	8	EA
12		M10 NUT BZP	4	EA
13		BOLT	4	EA

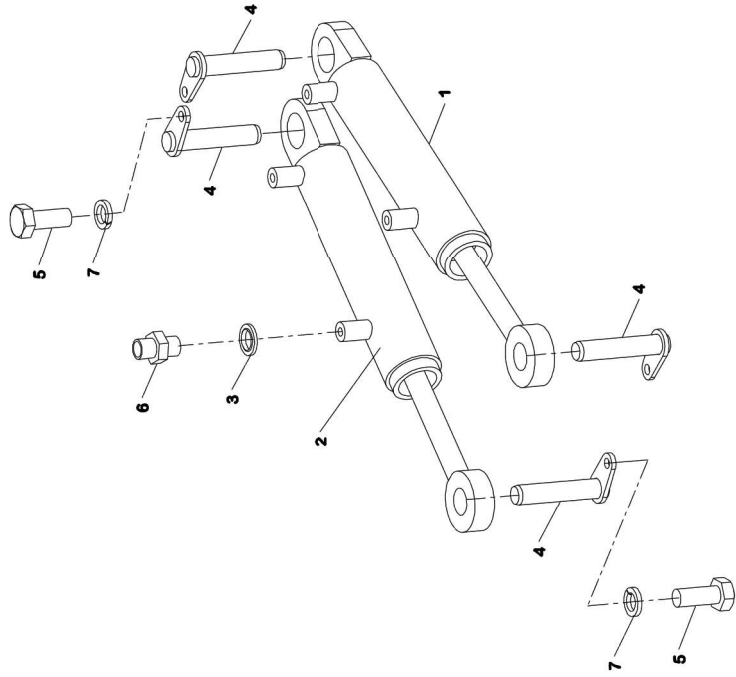
SX5/6/7/8/9000, SXR5/6/7/8000

STEERING RAM				
ITEM	PART NO.	DESCRIPTION	QTY	U/M
1		RAM	1	EA
2		RAM SEAL KIT SK916	1	EA
3		NUT NYLOC	2	EA
4		BONDED SEAL	1	EA
5		BONDED SEAL	1	EA
6		STEER RAM PIN	2	EA
7		STEER RAM PIN BUSH	2	EA
8		ADAPTER M-M 3/4" BSP	1	EA
9		ADAPTER M-M 3/4" BSP	1	EA



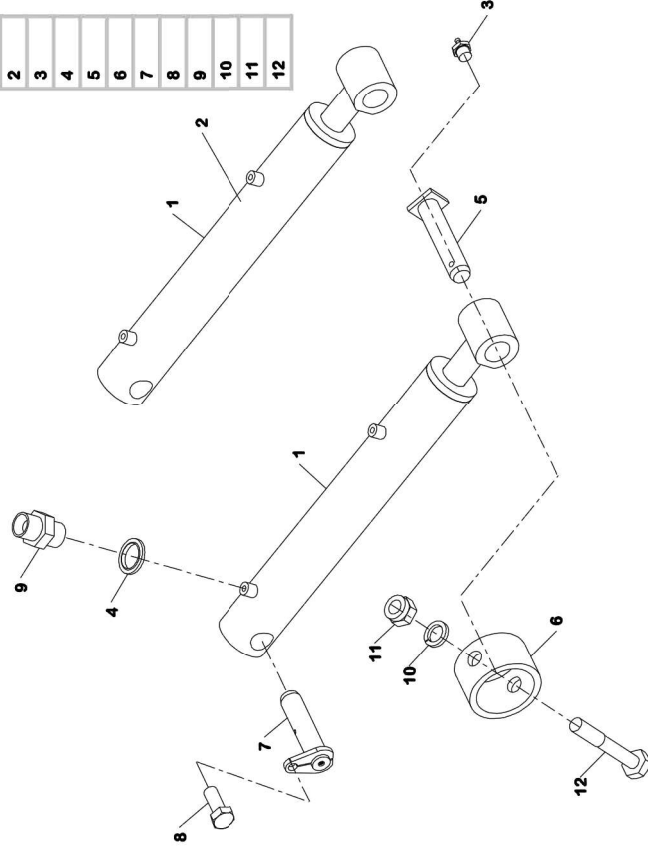
SXR5/6/7/8000

ROTOR RAM				
ITEM	PART NO.	DESCRIPTION	QTY	U/M
1		RAM	2	EA
2		RAM SEAL KIT SK922	2	EA
3		BONDED SEAL	2	EA
4		PIN SWIVEL RAM	4	EA
5		SETSCREW	4	EA
6		ADAPTER M-M 3/4" BSP	2	EA
7		WASHER SPRING	4	EA



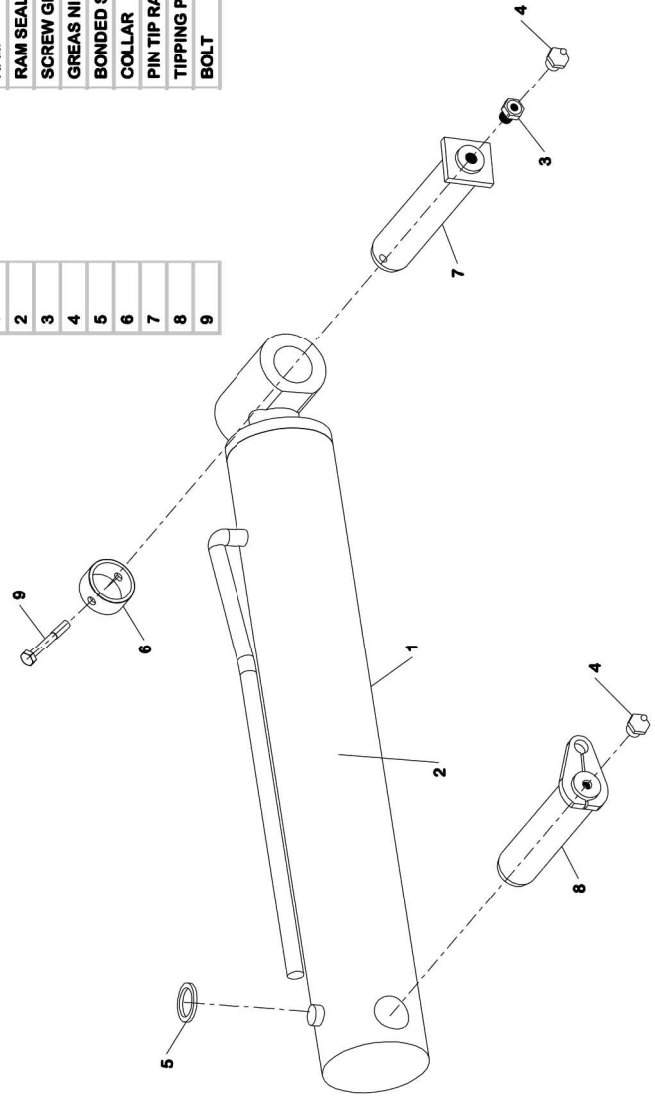
SX5/6/7/8/9000

TIP RAM				
ITEM	PART NO.	DESCRIPTION	QTY	U/M
1		RAM	2	EA
2		RAM SEAL KIT 920	2	EA
3		GREAS NIPPLE 1/8" BSPF	2	EA
4		BONDED SEAL	4	EA
5		TIP PIVOT PIN	2	EA
6		COLLAR	2	EA
7		TIP RAM PIN	2	EA
8		SETSCREW	2	EA
9		ADAPTER M-M 3/4" BSP	4	EA
10		WASHER SPRING	2	EA
11		NUT NYLOC BZP	2	EA
12		BOLT	2	EA



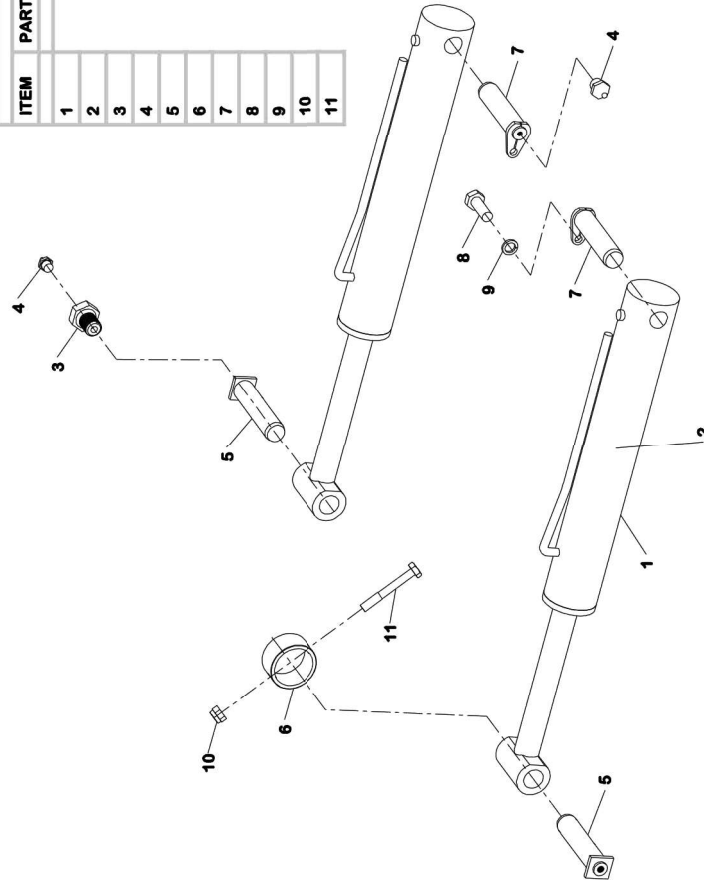
SXR5/6000

TIP RAM ROTA				
ITEM	PART NO.	DESCRIPTION	QTY	U/M
1		RAM	1	EA
2		RAM SEAL KIT SK919	1	EA
3		SCREW GREASING	1	EA
4		GREAS NIPPLE 1/8" BSPF	2	EA
5		BONDED SEAL	1	EA
6		COLLAR	1	EA
7		PIN TIP RAM	1	EA
8		TIPPING PIN	1	EA
9		BOLT	1	EA

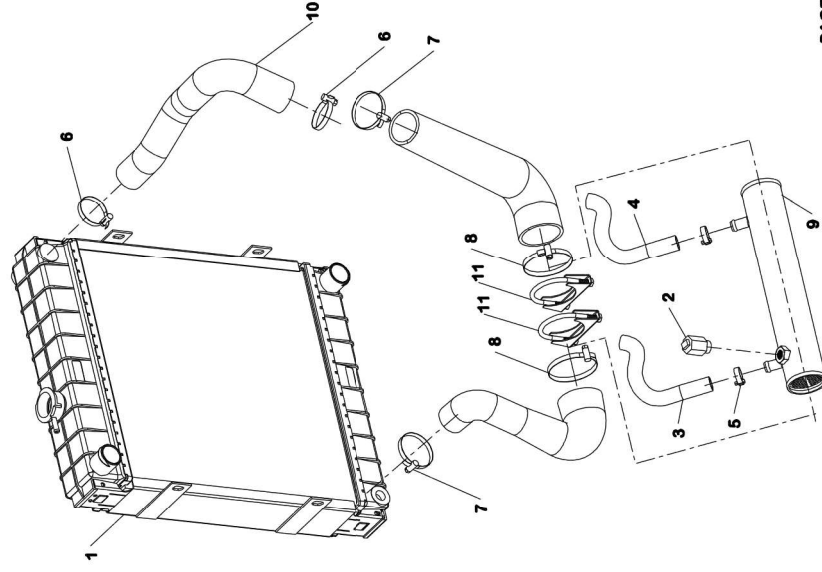


SXR718000

TIP RAM ROTA				
ITEM	PART NO.	DESCRIPTION	QTY	U/M
1		RAM	2	EA
2		RAM SEAL KIT 923	2	EA
3		SCREW GREASING	2	EA
4		GREAS NIPPLE 1/8" BSPF	4	EA
5		TIP RAM PIN	2	EA
6		COLLAR	2	EA
7		TIPPING PIN	2	EA
8		SETSCREW	2	EA
9		WASHER SPRING	2	EA
10		NUT NYLOC BZP	2	EA
11		BOLT	2	EA



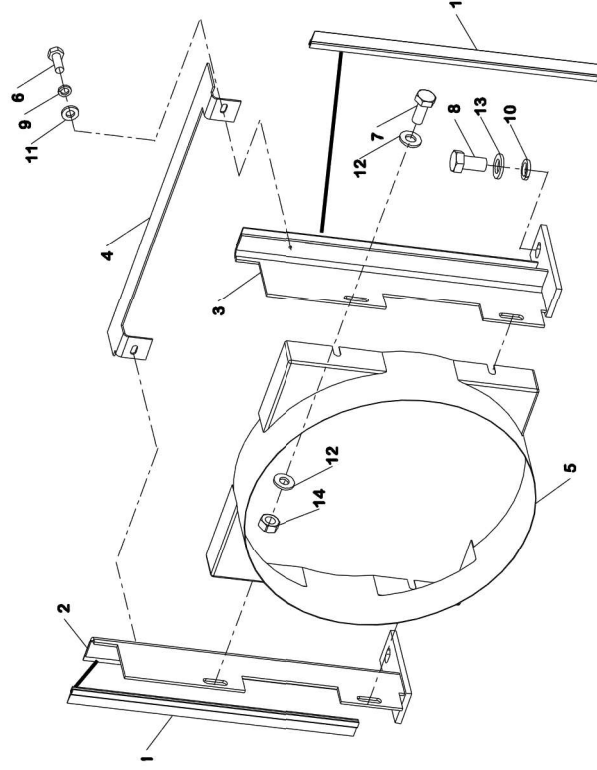
SX5/6/7/8/9000, SXR5/6/7/8000



RADIATOR AND OIL COOLER				
ITEM	PART NO.	DESCRIPTION	QTY	U/M
1		RADIATOR TIER 2	1	EA
2		TEMP SWITCH OIL COOLER	1	EA
3		HOSE TRANS/COOLER	1	EA
4		HOSE TRANS/COOLER	1	EA
5		HOSE CLIP	2	EA
6		HOSE CLIP	2	EA
7		HOSE CLIP	2	EA
8		HOSE CLIP	2	EA
9		OIL COOLER	1	EA
10		COOLING HOSE KIT	1	EA
11		SADDLE CLAMP	2	EA

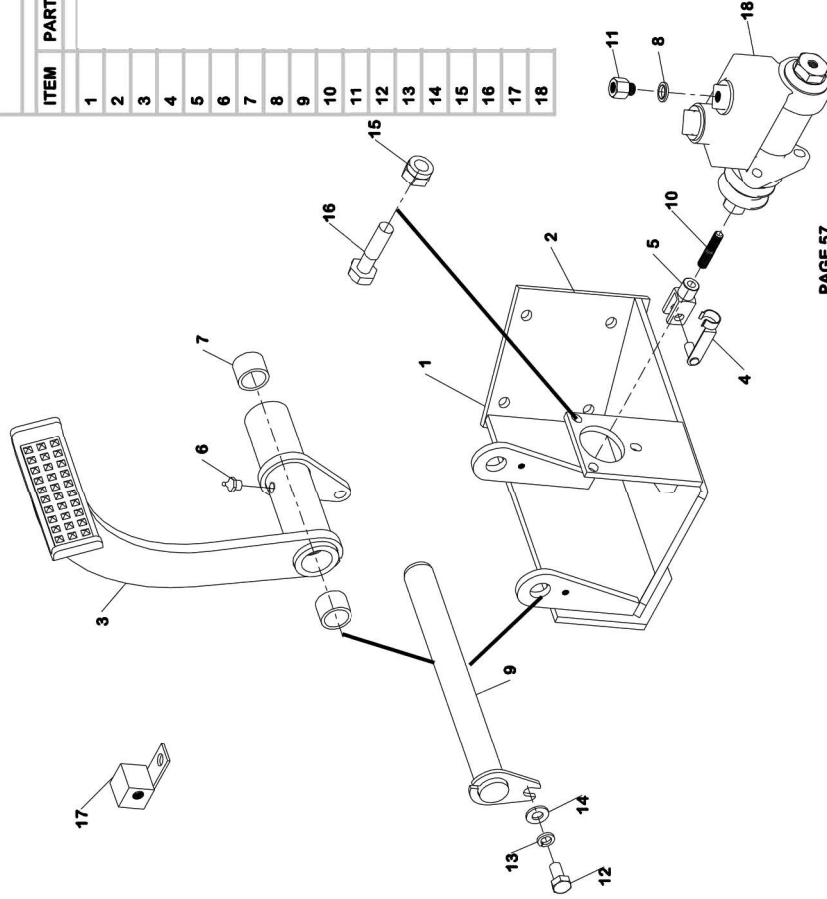
SX5/6/7/8/9000, SXR5/6/7/8000

RADIATOR FIXINGS				
ITEM	PART NO.	DESCRIPTION	QTY	U/M
1		EDGE TRIM	2	EA
2		RADIATOR BRACKET RH	1	EA
3		RADIATOR BRACKET LH	1	EA
4		RADIATOR BAFFLE	1	EA
5		SHROUD	1	EA
6		SETSCREW	2	EA
7		SETSCREW	4	EA
8		SETSCREW	2	EA
9		WASHER SPRING	2	EA
10		WASHER SPRING	2	EA
11		WASHER BZP	2	EA
12		WASHER BZP	8	EA
13		WASHER BZP	2	EA
14		M10 NUT BZP	4	EA

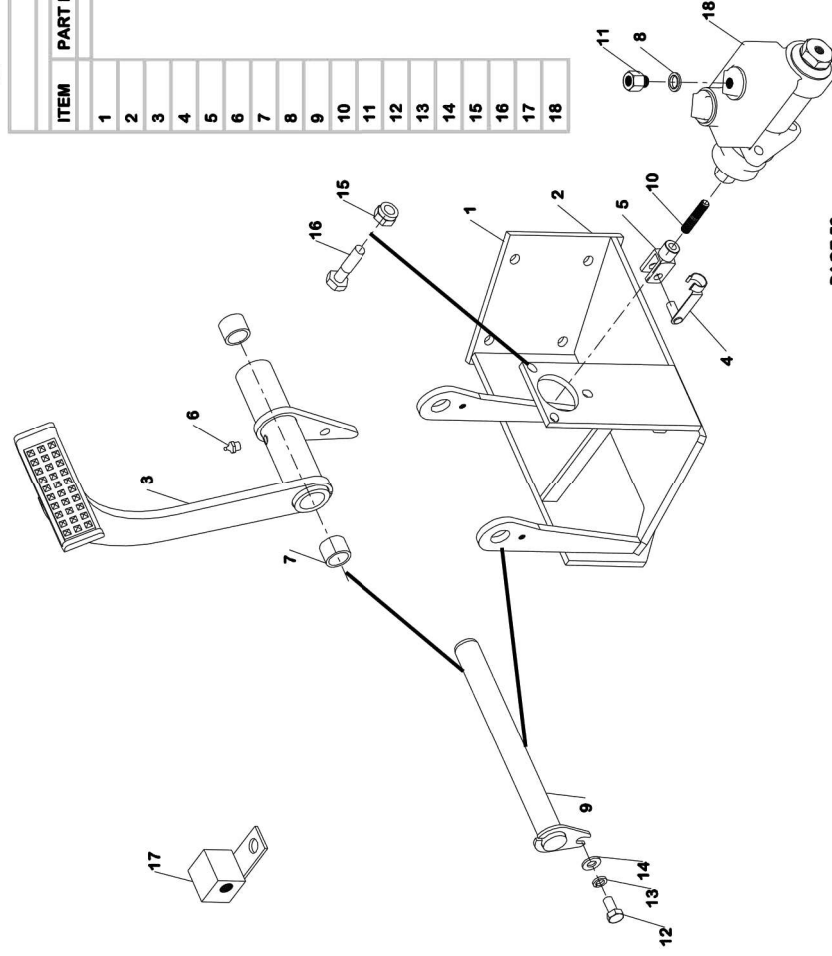


SX5/6/7/8/9000, SXR5/6/7/8000

BRAKES				
ITEM	PART NO.	DESCRIPTION	QTY	U/M
1		PEDAL ASSY (ITEMS 2-16)	1	EA
2		PEDAL BRACKET	1	EA
3		BRAKE PEDAL	1	EA
4		CLEVIS	1	EA
5		FORK HEAD	1	EA
6		GREAS NIPPLE 1/8" BSPF	1	EA
7		OIL RETAINING BUSH	2	EA
8		BONDED SEAL	1	EA
9		PIVOT PIN	1	EA
10		PUSH ROD	1	EA
11		ADAPTOR	1	EA
12		SETSCREW	1	EA
13		WASHER SPRING	1	EA
14		WASHER BZP	1	EA
15		NUT NYLOC BZP	3	EA
16		BOLT	3	EA
17		3-WAY BRAKE SPLITTER	1	EA
18		MICYLINDER	1	EA



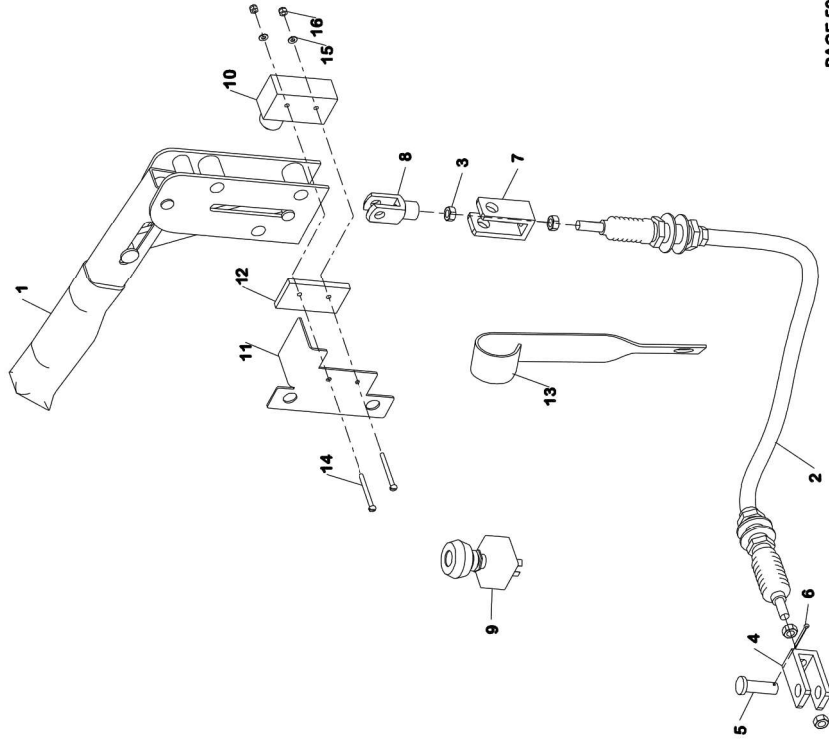
SX8/9000, SXR8000



BRAKES				
ITEM	PART NO.	DESCRIPTION	QTY	U/M
1		PEDAL ASSY (ITEMS 2-16)	1	EA
2		BRACKET BRAKE 8T	1	EA
3		PEDAL 8T	1	EA
4		CLEVIS	1	EA
5		FORK HEAD	1	EA
6		GREAS NIPPLE 1/8" BSPF	1	EA
7		OIL RETAINING BUSH	2	EA
8		BONDED SEAL	1	EA
9		PIVOT PIN	1	EA
10		PUSH ROD	1	EA
11		ADAPTOR	1	EA
12		SETScrew	1	EA
13		WASHER SPRING	1	EA
14		WASHER BZP	1	EA
15		NUT NYLOC BZP	3	EA
16		BOLT	3	EA
17		3-WAY BRAKE SPLITTER	1	EA
18		MICYLINDER	1	EA

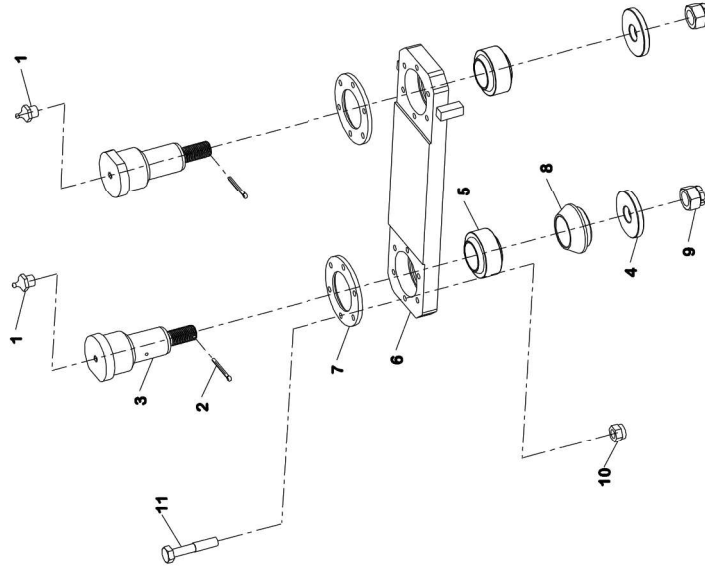
SX5/6/7/8/9000. SXR5/6/7/8000

PARKING BRAKE				
ITEM	PART NO.	DESCRIPTION	QTY	U/M
1		LEVER HANDBRAKE	1	EA
2		CABLE, HANDBRAKE (ITEMS 3-7)	1	EA
3		M10 NUT BZP	4	EA
4		CLEVIS	1	EA
5		PIN	1	EA
6		SPLIT PIN	1	EA
7		CLEVIS	1	EA
8		FORK HEAD	1	EA
9		ROTARY SWITCH	1	EA
10		MICRO SWITCH	1	EA
11		COVER	1	EA
12		HANDBRAKE M/S SPACER	1	EA
13		H-BRAKE CBL BRACKET	1	EA
14		PANHEAD SCREW	2	EA
15		WASHER BZP	2	EA
16		NUT NYLOC BZP	2	EA

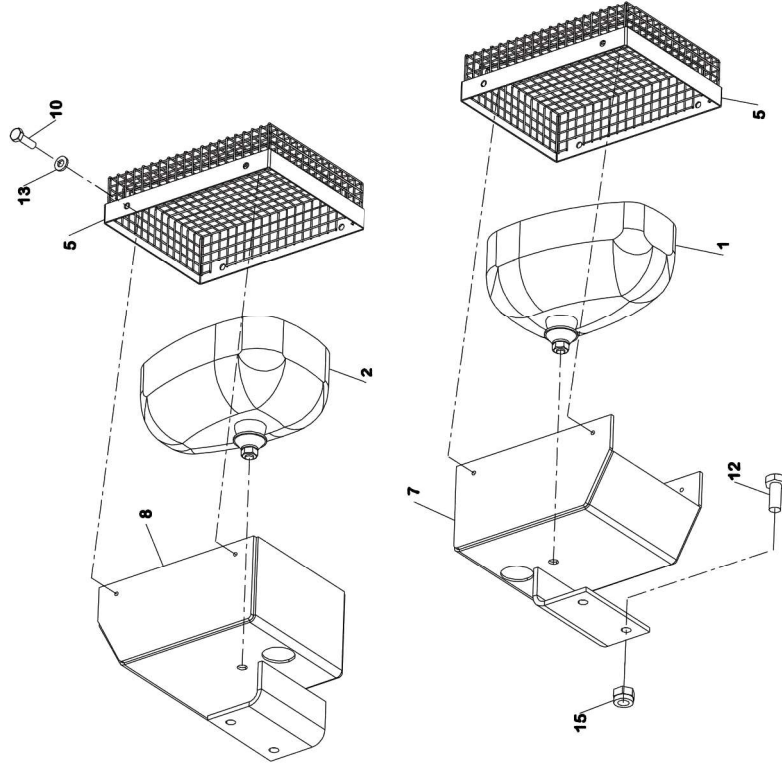


SX5/6/7/8/9000, SXR5/6/7/8000

TOP LINK AND PINS				
ITEM	PART NO.	DESCRIPTION	QTY	U/M
1		GREAS NIPPLE 1/8" BSPF	2	EA
2		SPLIT_PIN	2	EA
3		TOP_PIN	2	EA
4		WASHER	2	EA
5		(A)45 I/D SPH BEARING	2	EA
6		TOP LINK	1	EA
7		BEARING CAP	2	EA
8		TOP SPACER	1	EA
9		CASTLE NUT	2	EA
10		NUT NYLOC BZP	12	EA
11		BOLT	12	EA



SX5/6/7/8/9000 SXR5/6/7/8000



LIGHTS-OPTION

ITEM	PART NO.	DESCRIPTION	QTY	U/M
1		HEADLAMP LH MT LH DIP	1	EA
2		HEADLAMP LH MT LH DIP	1	EA
3		REAR LIGHT	2	EA
4		BEACON	1	EA
5		LIGHT GUARD	2	EA
6		SUPPORT BRACKET	2	EA
7		LAMP BRACKET RH	1	EA
8		LAMP BRACKET LH	1	EA
9		BRACKET REAR LAMP	1	EA
10		SETSCREW	8	EA
11		SETSCREW	8	EA
12		SETSCREW	4	EA
13		WASHER BZP	8	EA
14		WASHER BZP	8	EA
15		NUT NYLOC BZP	4	EA
16		NUT NYLOC BZP	9	EA
N/A		LOOM KIT LIGHTS SX5-10	1	EA

SX5/6/7/8/9000 SXR5/6/7/8000

