



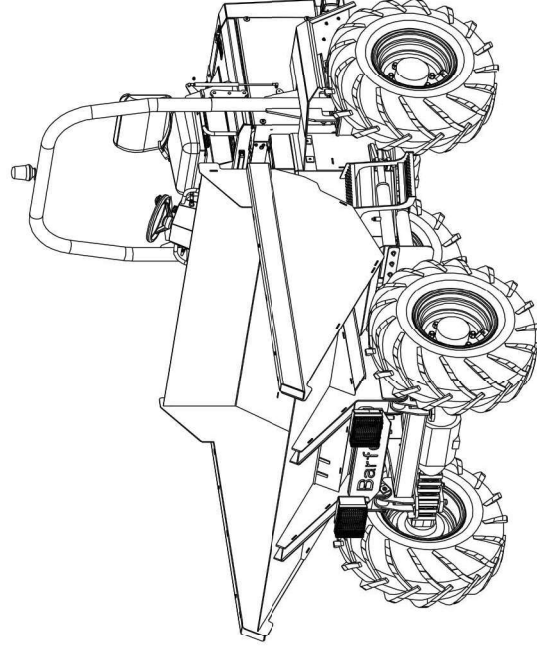
SX SERIES SITE DUMPERS

Barford Site Dumpers

Site Dumper

SX 2000, 3000

SXR 3000



PARTS MANUAL

ISSUE: - 04 - 01 - 2006

CONTENTS



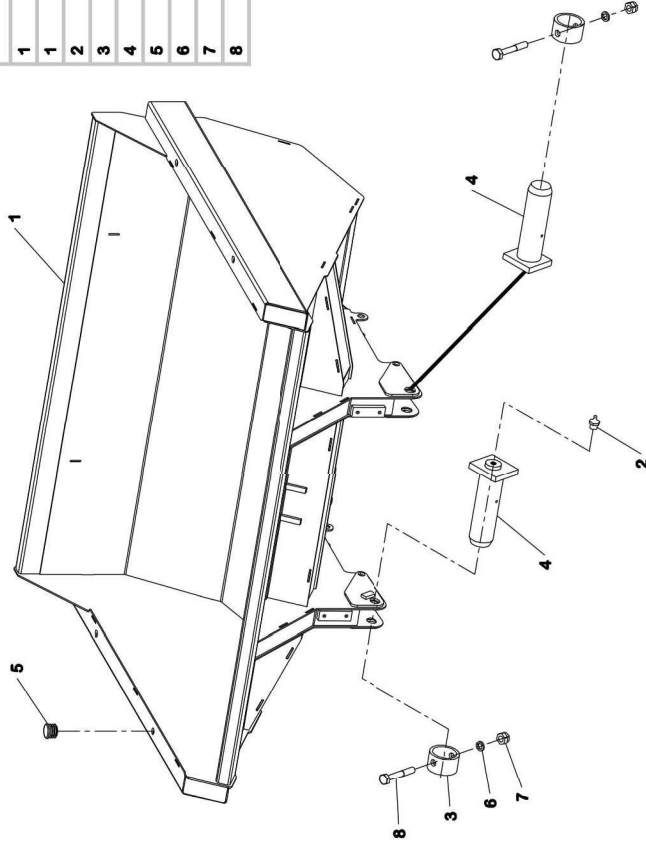
PAGE 1	SKIP AND PINS	PAGE 29	FUEL TANK ASSEMBLY
PAGE 2	SKIP AND PINS ROTA	PAGE 30	BATTERY AND FIXINGS
PAGE 3	TURNTABLE	PAGE 31	ELECTRICAL GENERAL
PAGE 4	FRONT CHASSIS AND BOTTOM PIN	PAGE 32	AXLES
PAGE 5	FRONT CHASSIS AND BOTTOM PIN ROTA	PAGE 33	WHEELS AND TYRES
PAGE 6	SKIP PROP AND LOCKING PINS	PAGE 34	MUD GUARDS SX 2/3
PAGE 7	SKIP PROP AND LOCKING PINS ROTA	PAGE 35	MUD GUARDS SXR 3
PAGE 8	STEERING ASSEMBLY	PAGE 36	TRANSMISSION
PAGE 9	PEDESTAL	PAGE 37	PROP SHAFTS
PAGE 10	PEDESTAL ELECTRICS	PAGE 38	DROP BOX AND FIXINGS
PAGE 11	SEAT	PAGE 39	ENGINE AND ACCESSORIES
PAGE 12	BONNET ASSEMBLY	PAGE 40	AIR CLEANER
PAGE 13	BONNET ASSEMBLY	PAGE 41	EXHAUST SX3/SXR3
PAGE 14	REAR CHASSIS	PAGE 42	EXHAUST SX2
PAGE 15	REAR CHASSIS	PAGE 43	STEERING RAM
PAGE 16	ENGINE AND TRANSMISSION MOUNTS 3T	PAGE 44	SLEW RAM
PAGE 17	ENGINE AND TRANSMISSION MOUNTS 2T	PAGE 45	TIP RAM
PAGE 18	ROPS FRAME AND REAR COVER	PAGE 46	TIP RAM ROTA
PAGE 19	HYDRAULIC TANK	PAGE 47	AIR DUCT
PAGE 20	HYDRAULIC SCHEMATIC SX 2/3	PAGE 48	BRAKES
PAGE 21	HYDRAULIC SCHEMATIC SX 2/3	PAGE 49	BRAKES
PAGE 22	HYDRAULIC SCHEMATIC SXR3	PAGE 50	PARKING BRAKE
PAGE 23	HYDRAULIC SCHEMATIC SXR3	PAGE 51	ENGINE COVERS
PAGE 24	HYDRAULIC CONTROL VALVES	PAGE 52	TOP LINK AND PINS
PAGE 25	HYDRAULIC CONTROL VALVES ROTA	PAGE 53	CLUTCH PEDAL
PAGE 26	THROTTLE ASSEMBLY	PAGE 54	LIGHTS OPTION
PAGE 27	THROTTLE ASSEMBLY	PAGE 55	LIGHTS OPTION
PAGE 28	FUEL TANK ASSEMBLY		



SX2/3000

SKIP AND PINS

ITEM	PART NO.	DESCRIPTION	QTY	U/M
1		SKIP SX 2000	1	EA
1		SKIP SX 3000	1	EA
2		GREAS NIPPLE 1/8" BSPF	2	EA
3		COLLAR	2	EA
4		TIP PIVOT PIN	2	EA
5		PLUG PLASTIC	4	EA
6		WASHER SPRING	2	EA
7		NUT NYLOC BZP	2	EA
8		BOLT	2	EA

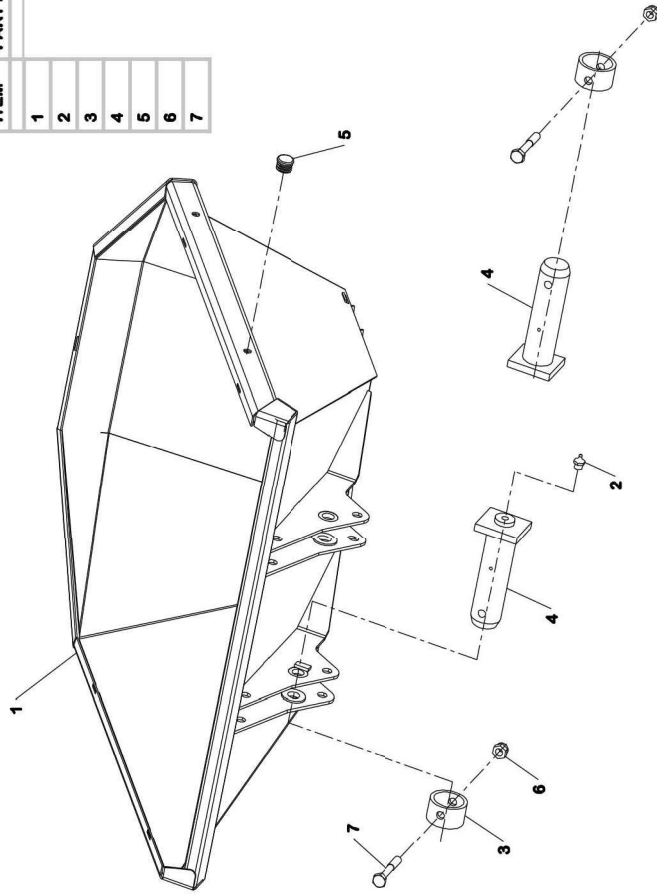


SXR3000



SKIP AND PINS ROTA

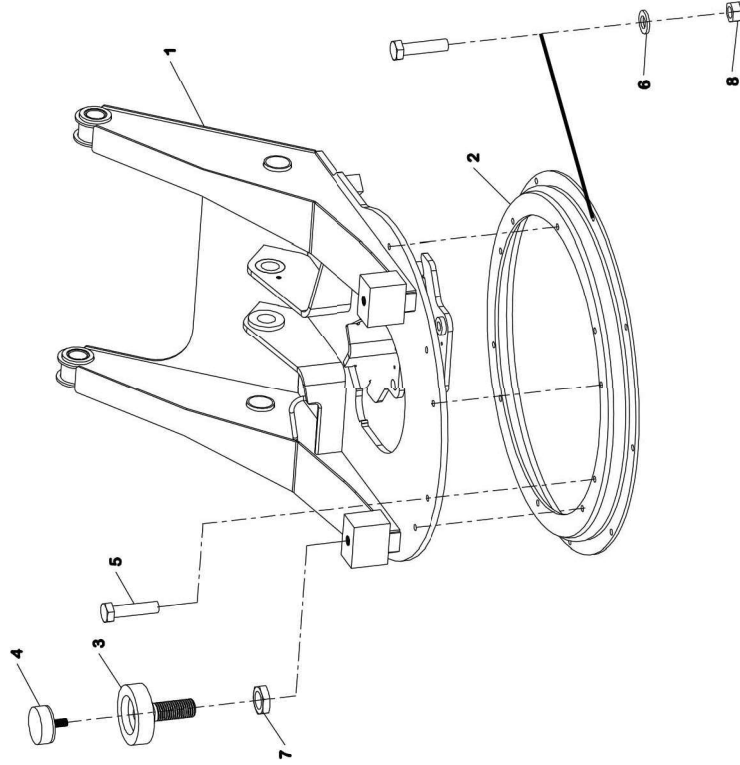
ITEM	PART NO.	DESCRIPTION	QTY	U/M
1		SKIP 3T ROTA	1	EA
2		GREAS NIPPLE 1/8" BSPF	2	EA
3		COLLAR	2	EA
4		TIP PIVOT PIN	2	EA
5		PLUG PLASTIC	4	EA
6		NUT NYLOC BZP	2	EA
7		BOLT	2	EA





SXR3000

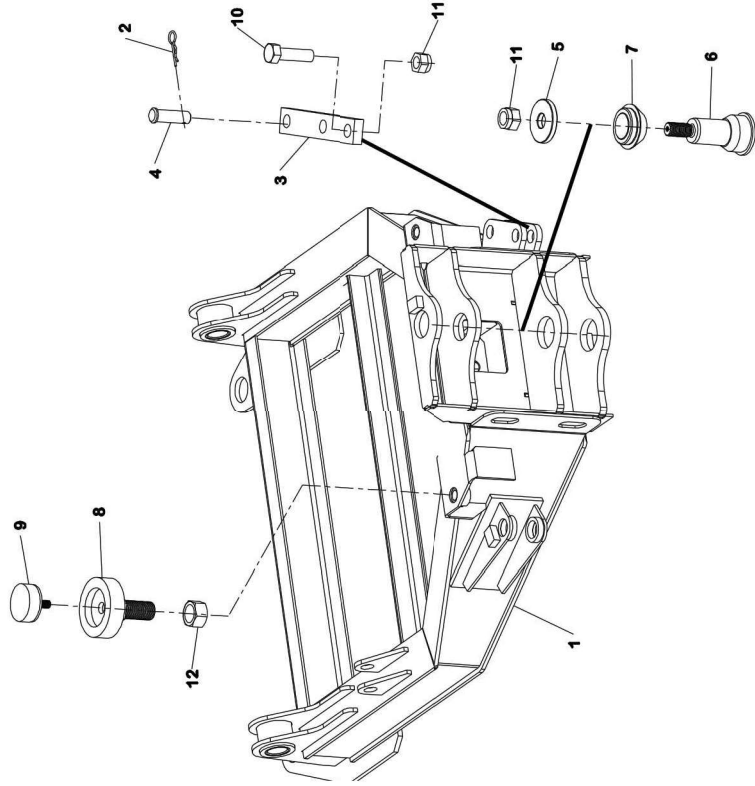
TURNTABLE				
ITEM	PART NO.	DESCRIPTION	QTY	U/M
1		TURNTABLE 3T	1	EA
2		SLEW RING SX3	1	EA
3		SKIP STOP	2	EA
4		BUFFER	2	EA
5		SETSCREW	18	EA
6		WASHER BZP	18	EA
7		LOCKNUT	2	EA
8		NUT NYLOC BZP	16	EA
N/A		SHIM 0.25	AR	EA
N/A		SHIM 0.40	AR	EA
N/A		SHIM 1.22	AR	EA





SX2/3000

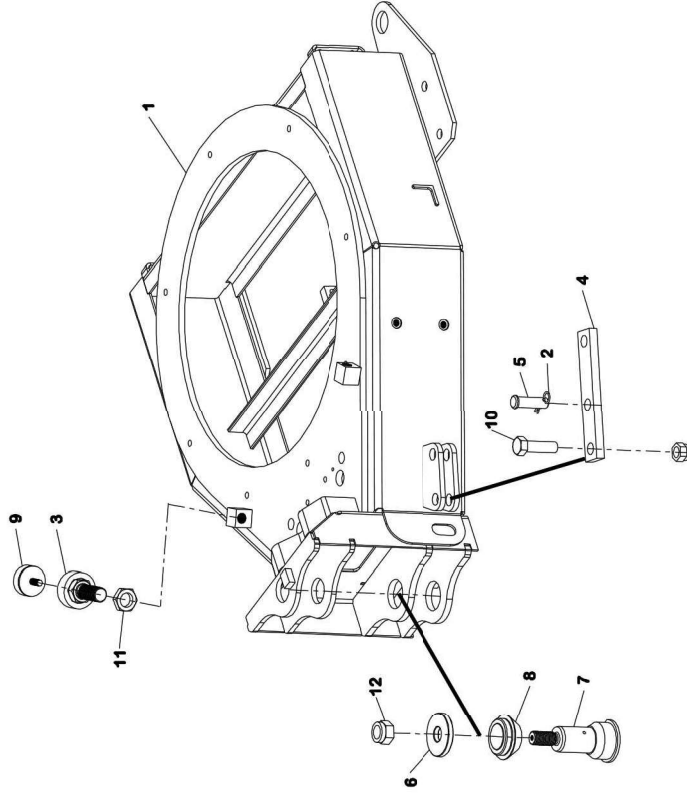
FRONT CHASSIS AND BOTTOM PIN				
ITEM	PART NO.	DESCRIPTION	QTY	U/M
1		FRONT FRAME SX2-3	1	EA
2		SPRING COTTER	1	EA
3		LOCKING BAR	1	EA
4		PIN	1	EA
5		WASHER	1	EA
6		BOTTOM PIN	1	EA
7		BOTTOM BUSH	1	EA
8		SKIP STOP	2	EA
9		BUFFER	2	EA
10		SETSCREW	1	EA
11		NUT NYLOC BZP	2	EA
12		M10 NUT BZP	2	EA





SXR3000

FRONT CHASSIS AND BOTTOM PIN ROTA				
ITEM	PART NO.	DESCRIPTION	QTY	U/M
1		FRONT FRAME (SXR3)	1	EA
2		SPRING COTTER	1	EA
3		SKIP STOP	2	EA
4		LOCKING BAR	1	EA
5		PIN	1	EA
6		WASHER	1	EA
7		BOTTOM PIN	1	EA
8		BOTTOM BUSH	1	EA
9		BUFFER	2	EA
10		SETScrew	1	EA
11		LOCKNUT	2	EA
12		NUT NYLOC BZP	2	EA

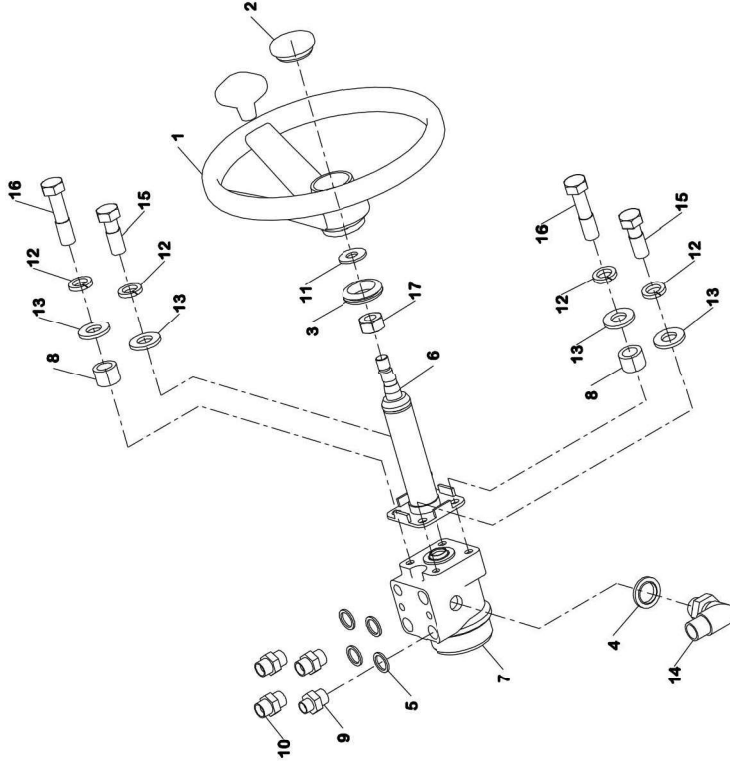




SX2/3000, SXR3000

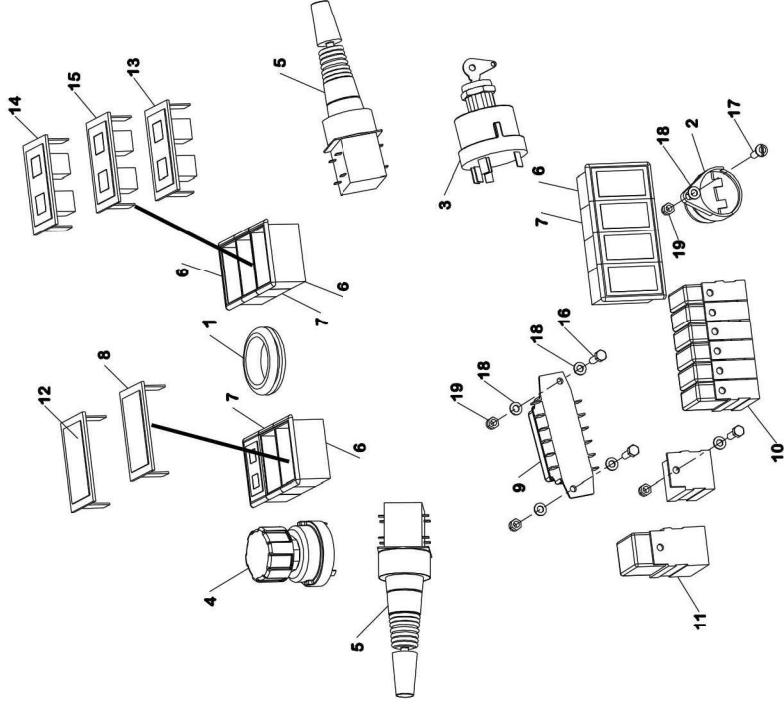
STEERING ASSEMBLY

ITEM	PART NO.	DESCRIPTION	QTY	U/M
1		STEERING WHEEL	1	EA
2		CENETR CAP INVICTA	1	EA
3		GROMMET	1	EA
4		BONDED SEAL	1	EA
5		BONDED SEAL	4	EA
6		STEERING COLUMN	1	EA
7		STEERING UNIT	1	EA
8		SPACER	2	EA
9		ADAPTER M-M 3/4" BSP	1	EA
10		ADAPTER M-M 3/4" BSP	3	EA
11		WASHER	1	EA
12		WASHER SPRING	4	EA
13		WASHER BZP	4	EA
14		ELBOW 1/2" BSP	1	EA
15		SETSCREW	2	EA
16		SETSCREW	2	EA
17		NUT	1	EA



SX2/3000, SXR3000

PEDESTAL ELECTRICS				
ITEM	PART NO.	DESCRIPTION	QTY	U/M
1		GROMMET	1	EA
2		BUZZER	1	EA
3		KEYSWITCH	1	EA
4		ROTARY SWITCH	1	EA
5		SWITCH	2	EA
6		HOUSING END	6	EA
7		HOUSING CENTRE	4	EA
8		BLANK	6	EA
9		BASE	1	EA
10		5 PIN RELAY 12V 10/20A	6	EA
11		70A RELAY 12V DC (IN LOOM)	1	EA
12		WARNING FULL BEAM	1	EA
13		WARNING GBOX OIL PRESS & TEMP	1	EA
14		WARNING PARK BREAK/BATTERY	1	EA
15		WARNING OIL PRESS/ENG TEMP	1	EA
16		SETScrew	4	EA
17		PANHEAD SCREW	1	EA
18		WASHER BZP	7	EA
19		NUT NYLOC BZP	5	EA
N/A		25A CIRCUIT BREAKER	1	EA
N/A		15A CIRCUIT BREAKER	2	EA
N/A		10A CIRCUIT BREAKER	1	EA
N/A		8A CIRCUIT BREAKER	2	EA
N/A		LOOM PEDESTAL	1	EA

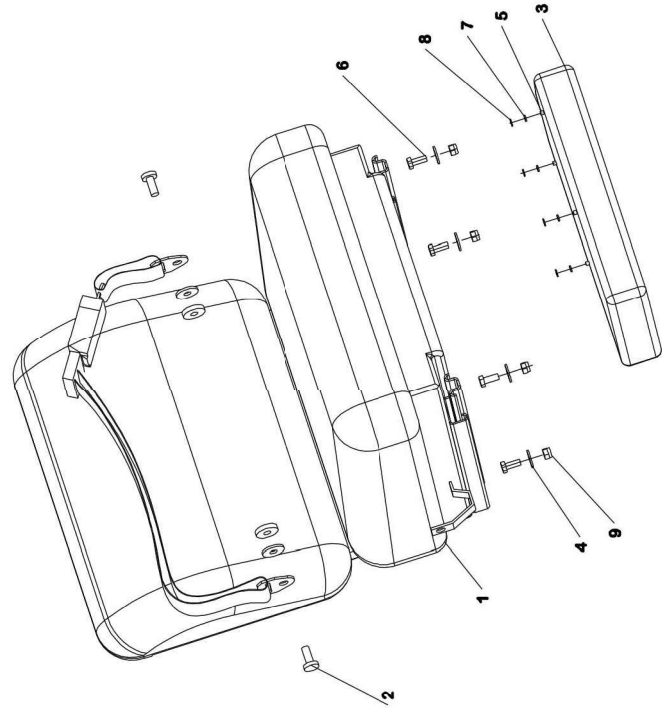


SX2/3000, SXR3000



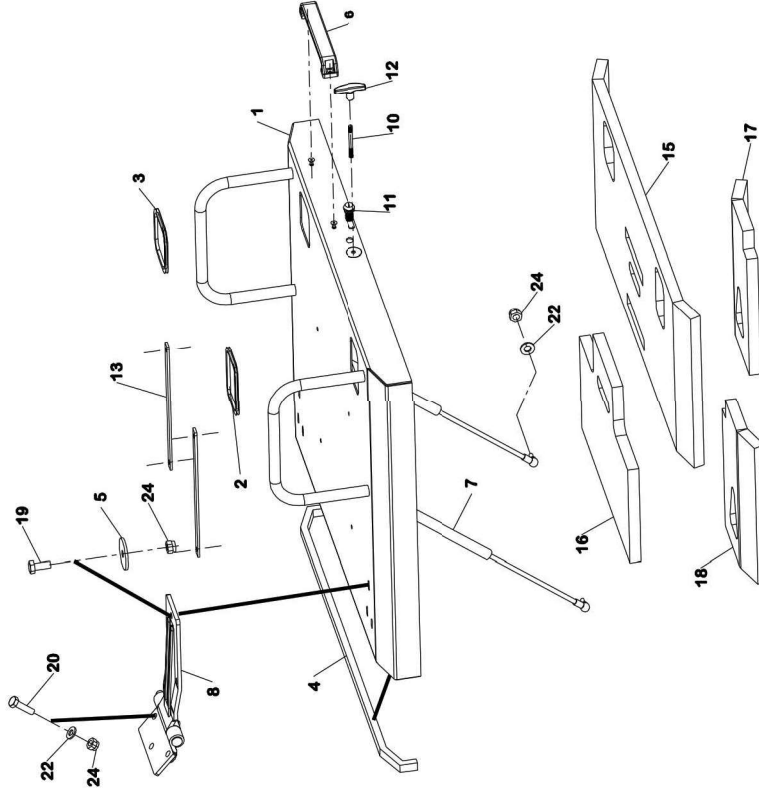
SEAT

ITEM	PART NO.	DESCRIPTION	QTY	U/M
1		SEAT	1	EA
2		SEAT BELT	1	EA
3		DOC BOX	1	EA
4		TEDDER WASHER	4	EA
5		SETSCREW	4	EA
6		SETSCREW	4	EA
7		WASHER SPRING	4	EA
8		WASHER BZP	4	EA
9		NUT NYLOC BZP	4	EA





SX2/3000, SXR3000



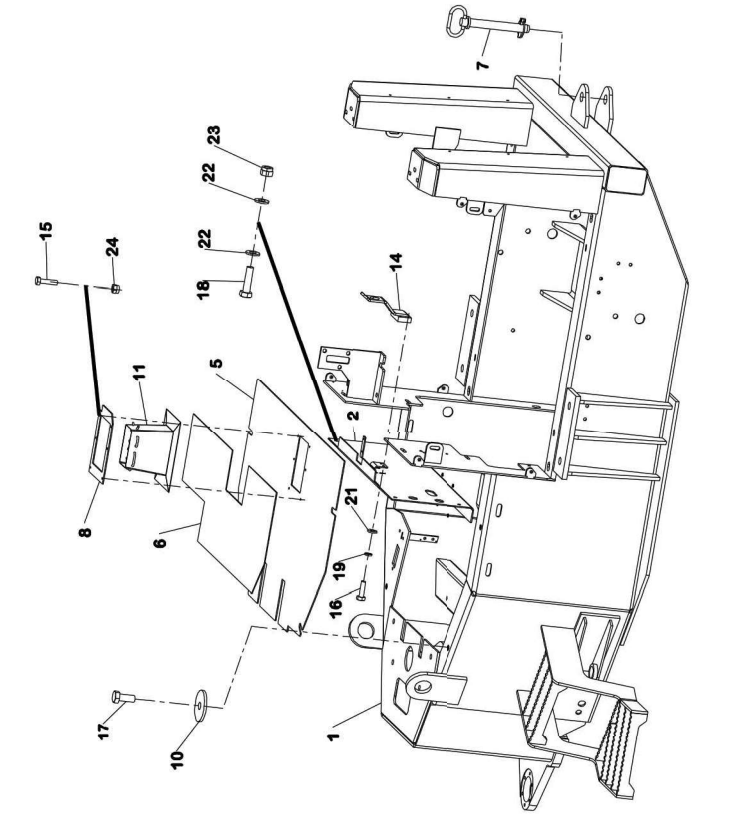
BONNET ASSEMBLY

ITEM	PART NO.	DESCRIPTION	QTY	U/M
1		BONNET	1	EA
2		SEAL 400MM	1	EA
3		SEAL 400MM	1	EA
4		SEAL 1000MM	1	EA
5		WASHER TEDDER	6	EA
6		HANDLE	1	EA
7		GAS SPRING	2	EA
8		HINGE	2	EA
9		LOCK PLUNGER	1	EA
10		LOCK ROD	1	EA
11		LOCK	1	EA
12		KNOB	1	EA
13		PACKER	2	EA
14		SPRING	1	EA
15		INSULATION FRONT	1	EA
16		INSULATION REAR	1	EA
17		INSULATION LH	1	EA
18		INSULATION RH	1	EA
19		SETSCREW	6	EA
20		SETSCREW	6	EA
21		WASHER BZP	2	EA
22		WASHER BZP	10	EA
23		SCREW CSK	2	EA
24		NUT NYLOC BZP	16	EA
25		NUT NYLOC BZP	2	EA

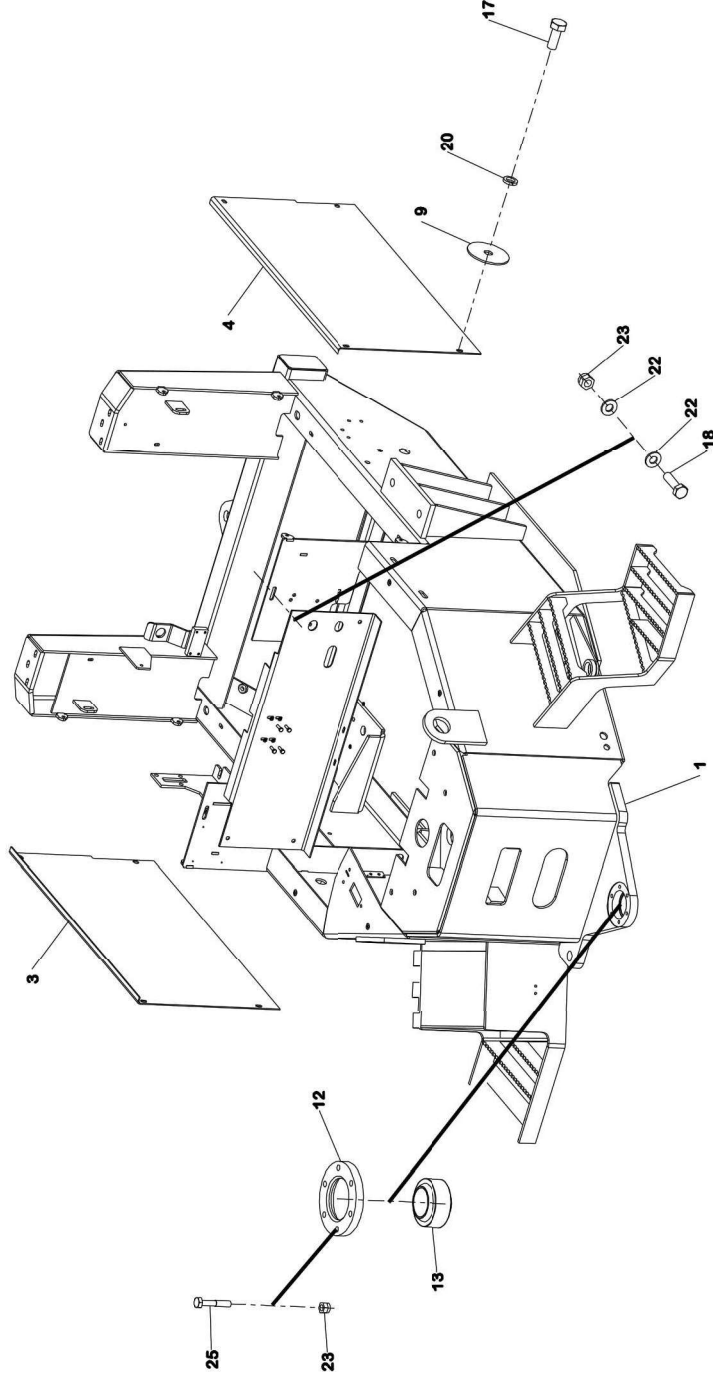


SX2/3000, SXR3000

REAR CHASSIS				
ITEM	PART NO.	DESCRIPTION	QTY	U/M
1		REAR CHASSIS	1	EA
2		BULKHEAD	1	EA
3		COVER	1	EA
4		COVER	1	EA
5		FLOOR PLATE	1	EA
6		SAFTEY WALK 1000MM	1	EA
7		PIN DRAWBAR	1	EA
8		PLATE	1	EA
9		WASHER	8	EA
10		WASHER TEDDER	4	EA
11		GAITER	1	EA
12		TOP RING	1	EA
13		(A)45 I/D SPH BEARING	1	EA
14		CATCH	1	EA
15		SETSCREW	6	EA
16		SETSCREW	4	EA
17		SETSCREW	12	EA
18		SETSCREW	4	EA
19		WASHER SPRING	10	EA
20		WASHER SPRING	8	EA
21		WASHER BZP	4	EA
22		WASHER BZP	8	EA
23		NUT NYLOC BZP	10	EA
24		NUT NYLOC BZP	6	EA
25		BOLT	6	EA



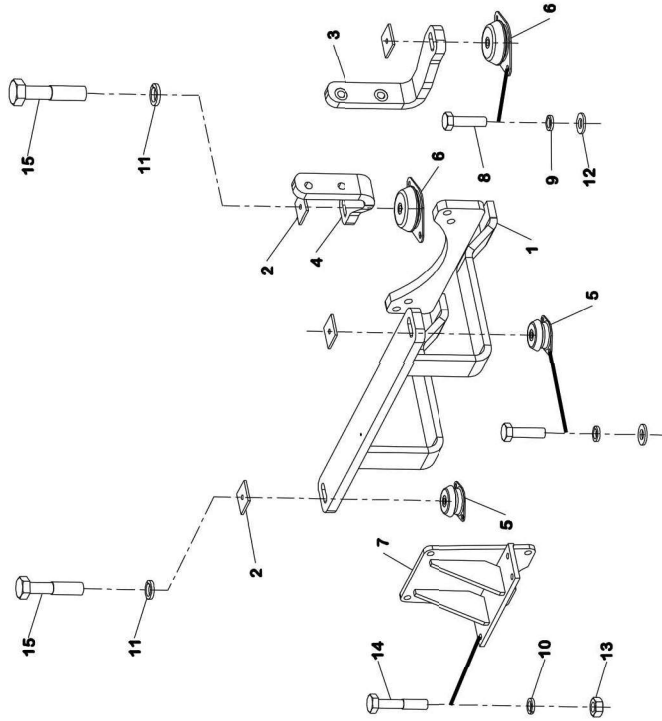
SX2/3000, SXR3000





ENGINE AND TRANSMISSION MOUNTS

ITEM	PART NO.	DESCRIPTION	QTY	U/M
1		ENG MOUNT ASSEMBLY	1	EA
2		CLAMP PLATE	4	EA
3		ENG BRKT LH 3T	1	EA
4		ENG BRKT RH 3T	1	EA
5		ENGINE MOUNT	2	EA
6		ENGINE MOUNT	2	EA
7		DROP BOX BRACKET	1	EA
8		SETSCREW	8	EA
9		WASHER SPRING	8	EA
10		WASHER SPRING	4	EA
11		WASHER SPRING	4	EA
12		WASHER BZP	8	EA
13		M10 NUT BZP	4	EA
14		BOLT	4	EA
15		BOLT	4	EA

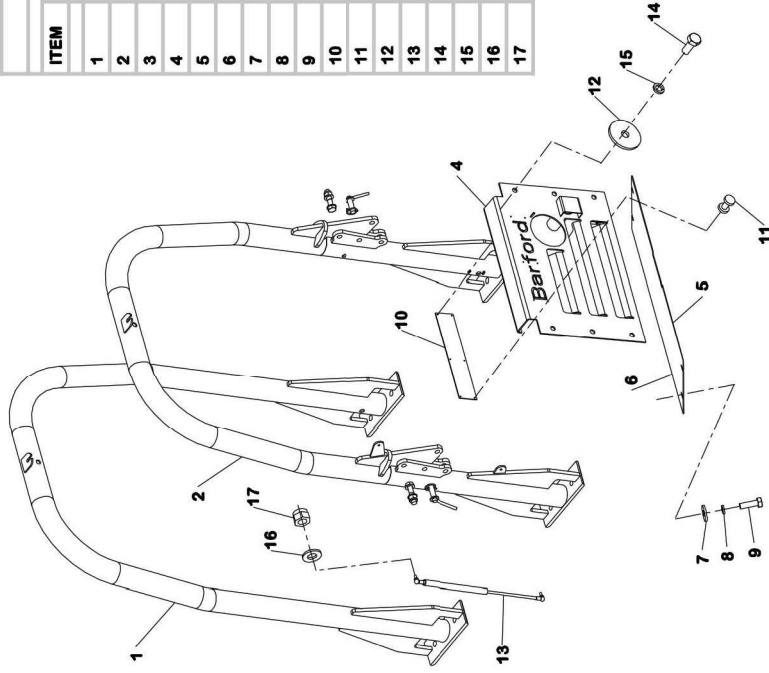


SX2/3000, SXR3000

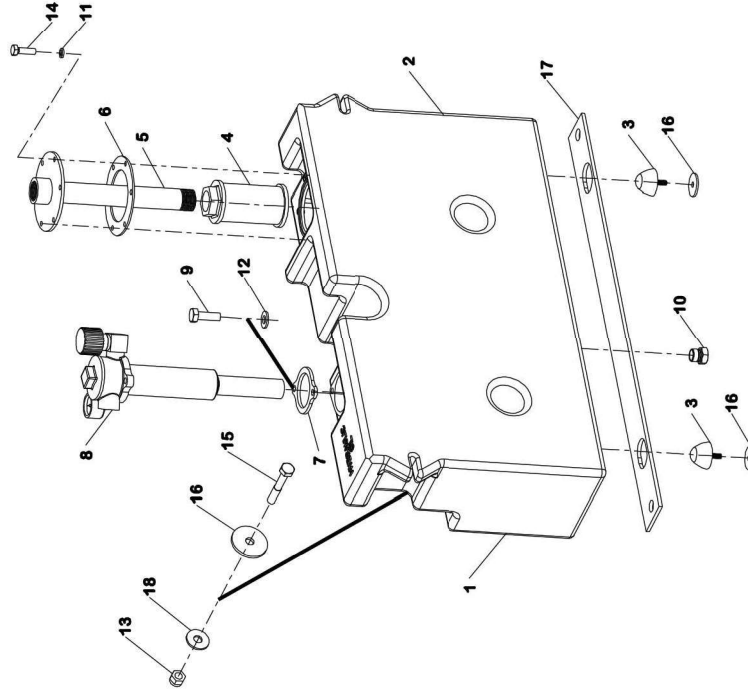


FOLDING ROPS FRAME AND REAR COVER

ITEM	PART NO.	DESCRIPTION	QTY	U/M
1		ROPS 2-3T	1	EA
2		ROPS 2-3T FOLDING	1	EA
3		ROPS BOLT KIT (2-3T)	1	EA
4		REAR GRILL SX3000	1	EA
5		HOT CLIMATE KIT (ITEMS 6-11)	1	EA
6		PLATE	1	EA
7		TEDDER WASHER	4	EA
8		WASHER SPRING	4	EA
9		SETSCREW	4	EA
10		PLATE	1	EA
11		RIVET	6	EA
12		WASHER TEDDER	6	EA
13		GAS STRUT	1	EA
14		SETSCREW	6	EA
15		WASHER SPRING	6	EA
16		WASHER BZP	2	EA
17		NUT NYLOC BZP	2	EA



SX2/3000, SXR3000



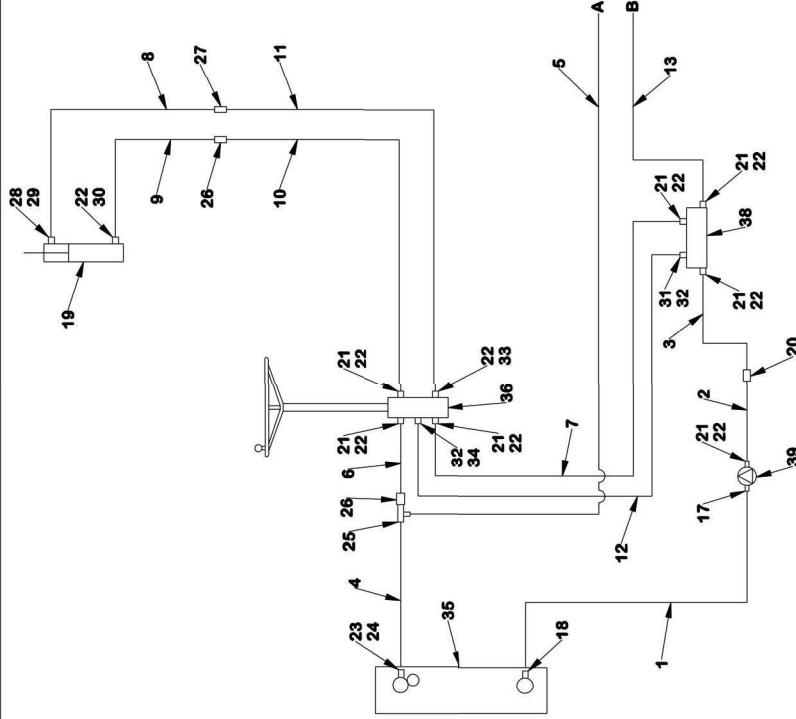
ITEM	PART NO.	DESCRIPTION	QTY	U/M
1		HYD TANK ASSY (ITEMS 2-11)	1	EA
2		HYD TANK	1	EA
3		RUBBER BOSS	2	EA
4		SUCTION FILTER	1	EA
5		STAND PIPE SUCTION	1	EA
6		STANDPIPE GASKET	1	EA
7		GASKET	1	EA
8		RETURN FILTER	1	EA
9		SETScrew	2	EA
10		PLUG BLANKING	1	EA
11		WASHER SPRING	6	EA
12		WASHER BZP	2	EA
13		NUT NYLOC BZP	2	EA
14		BOLT	6	EA
15		BOLT	2	EA
16		WASHER TEDDER	4	EA
17		RUBBER PAD	1	EA
18		TEDDER WASHER	2	EA



SCHEMATIC SX2/3000

HYDRAULIC SCHEMATICS

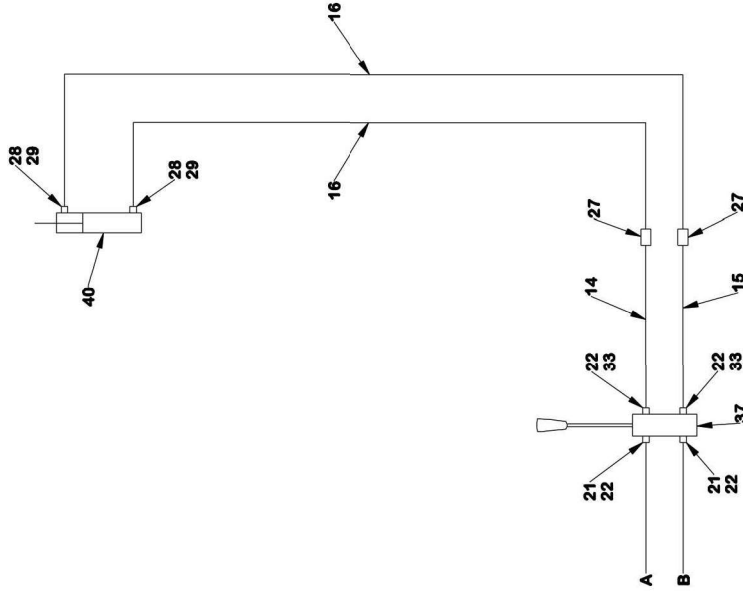
ITEM	PART NO.	DESCRIPTION	QTY	U/M
1		HOSE	1	EA
2		HOSE	1	EA
3		HOSE	1	EA
4		HOSE	1	EA
5		HOSE	1	EA
6		HOSE	1	EA
7		HOSE	1	EA
8		HOSE	1	EA
9		HOSE	1	EA
10		HOSE	1	EA
11		HOSE	1	EA
12		HOSE	1	EA
13		HOSE	1	EA
14		HOSE	1	EA
15		HOSE	1	EA
16		HOSE	2	EA
17		3/4 FITTING	1	EA
18		1" ELBOW	1	EA
19		STEERING RAM	1	EA
20		TEST POINT	1	EA
21		1/2 CONN	9	EA
22		BONDED WASHER	13	EA
23		3/4-1/2 ADAPTOR	1	EA
24		BONDED WASHER	2	EA
25		TEE	1	EA
26		BULKHEAD	1	EA





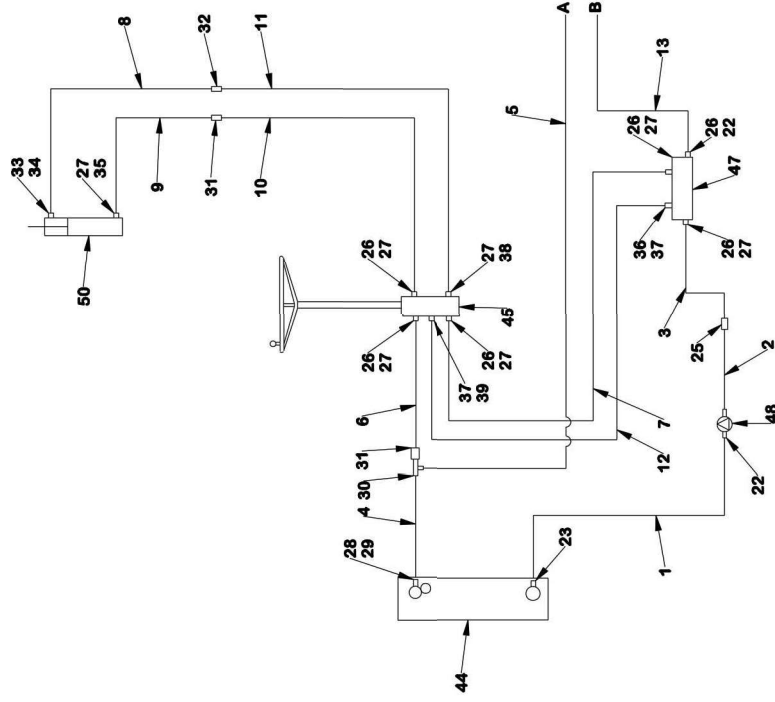
SCHEMATIC SX2/3000

ITEM	PART NO.	DESCRIPTION	QTY	U/M
27		BULKHEAD	3	EA
28		3/8 CONN	4	EA
29		BONDED WASHER	3	EA
30		1/2 ELBOW	1	EA
31		1/4 CONN	1	EA
32		BONDED WASHER	2	EA
33		1/2 X 3/8 CONN	3	EA
34		1/4 ELBOW	1	EA
35		HYD TANK	1	EA
36		STEERING UNIT	1	EA
37		TIP VALVE	1	EA
38		PRIORITY VALVE	1	EA
39		PUMP	1	EA
40		TIP RAM	1	EA

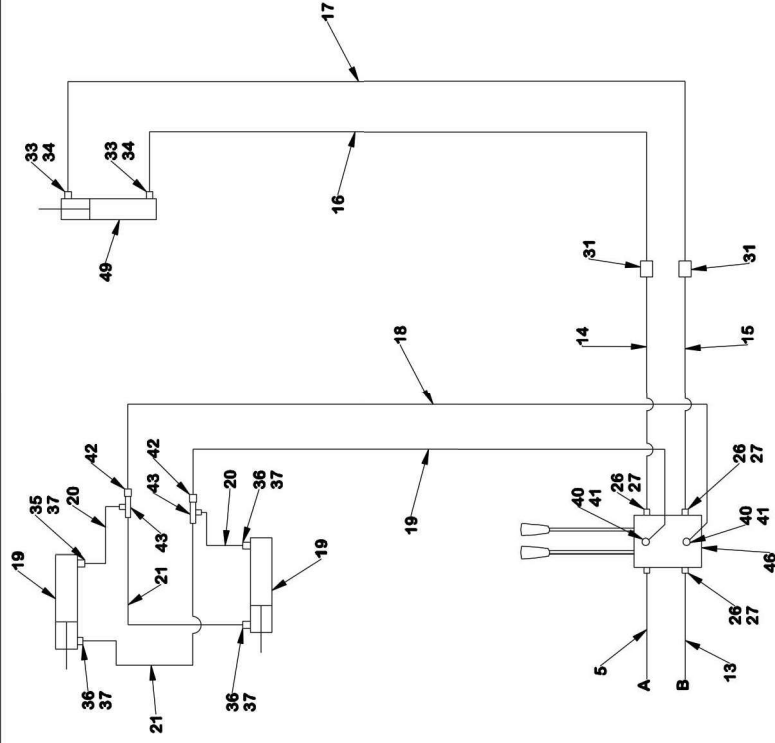


SCHEMATIC SXR3000

HYDRAULIC SCHEMATICS				
ITEM	PART NO.	DESCRIPTION	QTY	U/M
1		HOSE	1	EA
2		HOSE	1	EA
3		HOSE	1	EA
4		HOSE	1	EA
5		HOSE	1	EA
6		HOSE	1	EA
7		HOSE	1	EA
8		HOSE	1	EA
9		HOSE	1	EA
10		HOSE	1	EA
11		HOSE	1	EA
12		HOSE	1	EA
13		HOSE	1	EA
14		HOSE	1	EA
15		HOSE	1	EA
16		HOSE	1	EA
17		HOSE	1	EA
18		HOSE	1	EA
19		HOSE	1	EA
20		HOSE	2	EA
21		HOSE	2	EA
22		3/4 CONN	1	EA
23		1" ELBOW	1	EA
24		SLEW RAM	2	EA
25		TEST POINT	1	EA
26		1/2 CONN	11	EA



SCHEMATIC SXR3000



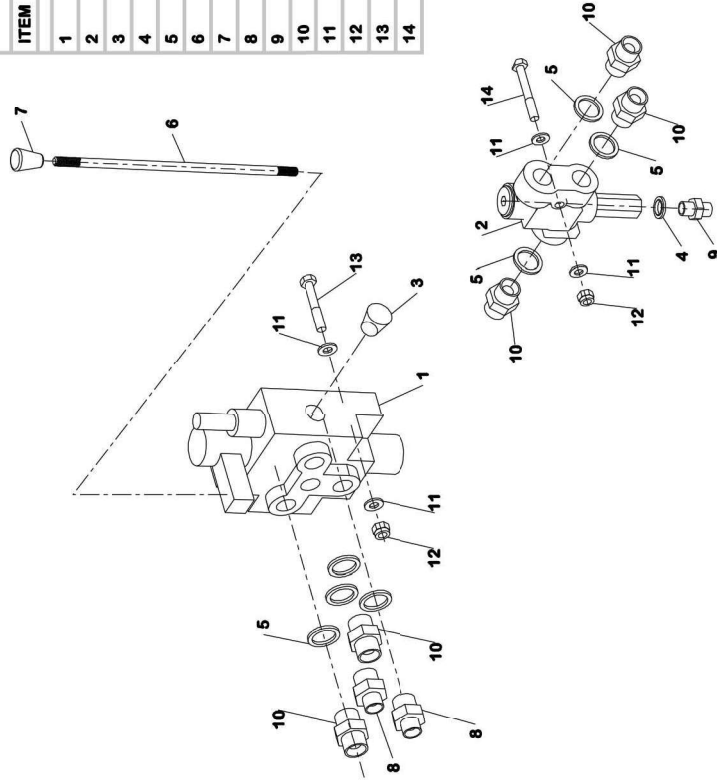
ITEM	PART NO.	DESCRIPTION	QTY	U/M
27		BONDED WASHER	12	EA
28		3/4 - 1/2 CONN	1	EA
29		BONDED WASHER	1	EA
30		1/2 TEE	1	EA
31		1/2 BULKHEAD	4	EA
32		3/8 BULKHEAD	1	EA
33		3/8 CONN	3	EA
34		BONDED WASHER	3	EA
35		1/2 ELBOW	1	EA
36		1/4 CONN	5	EA
37		BONDED WASHER	6	EA
38		1/2 X 3/8 CONN	2	EA
39		1/4 ELBOW	1	EA
40		RESTRICTOR	2	EA
41		1/2 X 1/4 CONN	2	EA
42		1/4 BULKHEAD	2	EA
43		1/4 TEE	2	EA
44		HYD TANK	1	EA
45		STEERING UNIT	1	EA
46		TIPPING VALVE	1	EA
47		PRIORITY VALVE	1	EA
48		PUMP	1	EA
49		TIPPING RAM	1	EA
50		STEER RAM	1	EA

SX2/3000



HYDRAULIC CONTROL VALVES

ITEM	PART NO.	DESCRIPTION	QTY	U/M
1		TIP VALVE SINGLE SPOOL	1	EA
2		PRIORITY VALVE	1	EA
3		PLUG	2	EA
4		BONDED SEAL	1	EA
5		BONDED SEAL	7	EA
6		HANDLE SX5/6/7000 SXR6/6/7000	1	EA
7		CAP END	1	EA
8		ADAPTER M-M 3/4" BSP	2	EA
9		ADAPTER M-M 3/4" BSP	1	EA
10		ADAPTER M-M 3/4" BSP	5	EA
11		WASHER BZP	8	EA
12		NUT NYLOC BZP	4	EA
13		BOLT	3	EA
14		BOLT	1	EA

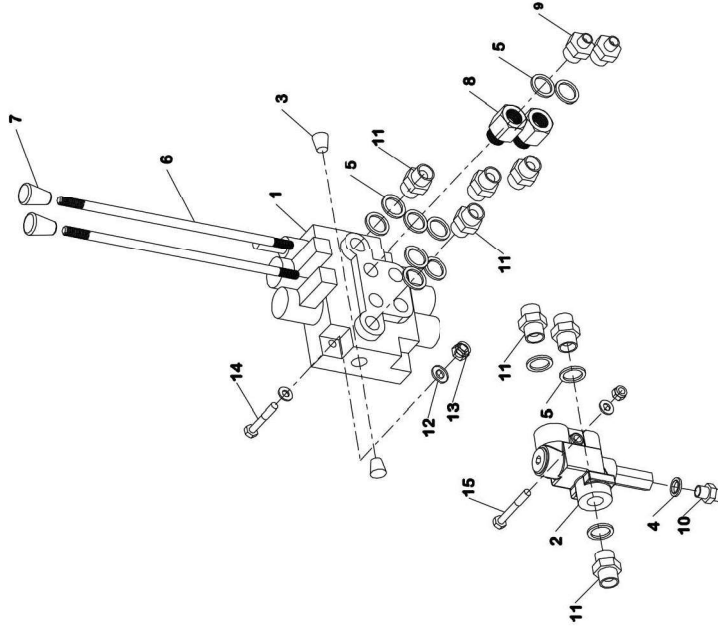


SXR3000

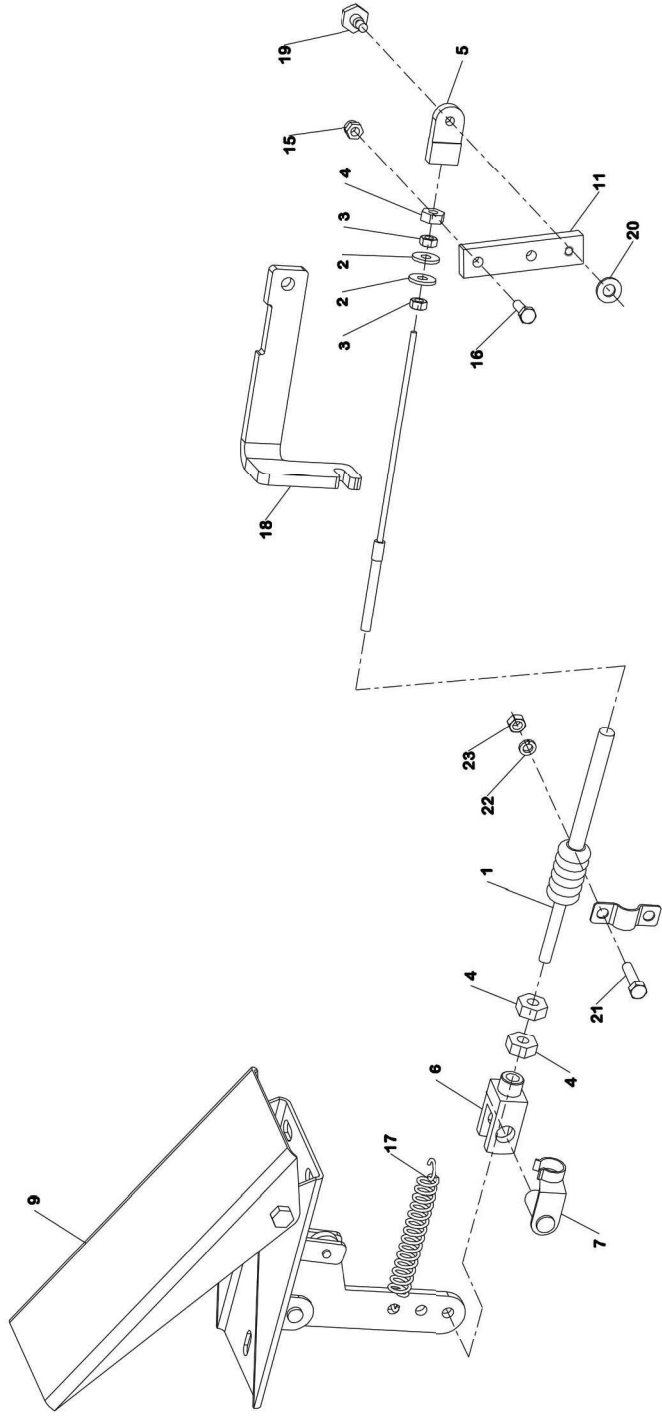


HYDRAULIC CONTROL VALVES

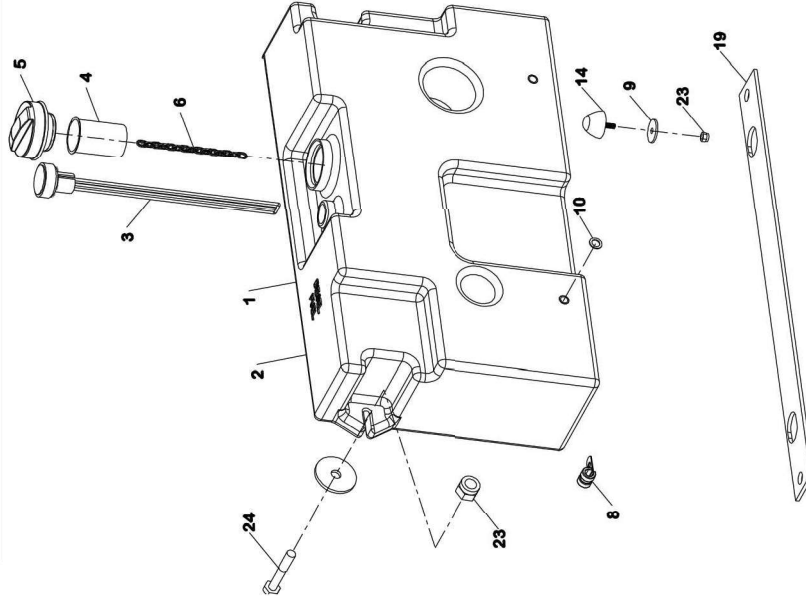
ITEM	PART NO.	DESCRIPTION	QTY	U/M
1		TIP VALVE TWIN SPOOL	1	EA
2		PRIORITY VALVE	1	EA
3		PLUG	2	EA
4		BONDED SEAL	1	EA
5		BONDED SEAL	12	EA
6		HANDLE SX5/6/7000 SXR5/6/7000	2	EA
7		CAP END	2	EA
8		RESTRICTOR ADAPTER	2	EA
9		ADAPTER M-M 3/4" BSP	2	EA
10		ADAPTER M-M 3/4" BSP	1	EA
11		ADAPTER M-M 3/4" BSP	7	EA
12		WASHER BZP	8	EA
13		NUT NYLOC BZP	4	EA
14		BOLT	3	EA
15		BOLT	1	EA



SX2/3000, SXR3000



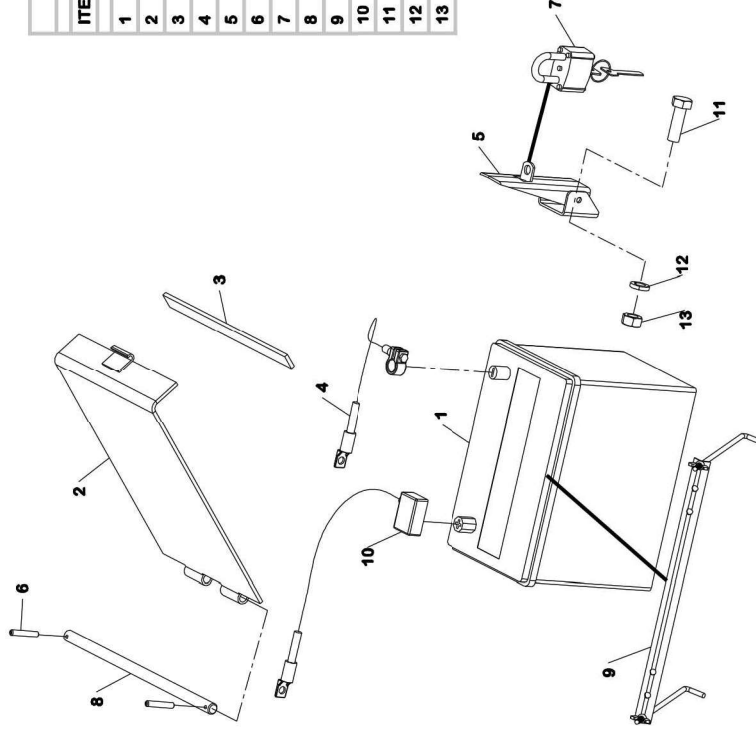
SX2/3000, SXR3000



FUEL TANK ASSEMBLY

ITEM	PART NO.	DESCRIPTION	QTY	U/M
1		FUEL TANK ASSM 2-3T (ITEMS 2-7)	1	EA
2		FUEL TANK 2-3T	1	EA
3		GAUGE LEVEL	1	EA
4		STRAINER BASKET	1	EA
5		FILLER CAP	1	EA
6		CHAIN	1	EA
7		PLUG BLANKING	1	EA
8		P CLIP	1	EA
9		WASHER	4	EA
10		FIBER WASHER	2	EA
11		WASHER	2	EA
12		UNION BANJO	2	EA
13		FILTER SEDIMENT	1	EA
14		RUBBER BOSS	2	EA
15		PIPE	3	EA
16		PIPE	1	EA
17		ELBOW 1/4" BSP X 8MM	1	EA
18		RUBBER PAD	1	EA
19		SETScrew	2	EA
20		WASHER SPRING	2	EA
21		WASHER BZP	2	EA
22		NUT NYLOC BZP	6	EA
23		BOLT	2	EA
24		HOSE CLIP	4	EA

SX2/3000, SXR3000



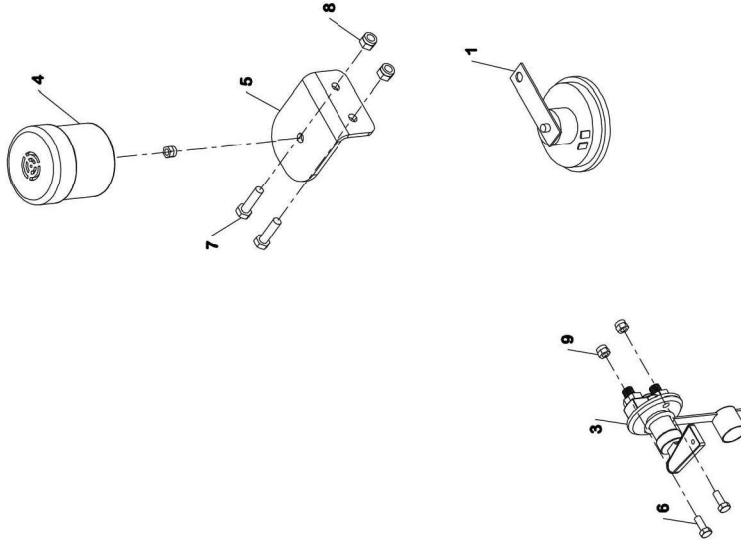
BATTERY AND FIXINGS

ITEM	PART NO.	DESCRIPTION	QTY	U/M
1		BATTERY	1	EA
2		BATT BOX LID	1	EA
3		RUBBER STRIP	1	EA
4		CBL BATTERY EARTH LEAD	1	EA
5		STRIKE	1	EA
6		TENSION PIN	2	EA
7		PADLOCK	1	EA
8		HINGE PIN	1	EA
9		BATTERY CLAMP	1	EA
10		CBL BATTERY EARTH LEAD	1	EA
11		SETScrew	2	EA
12		WASHER SPRING	2	EA
13		M10 NUT BZP	2	EA

SX2/3000, SXR3000

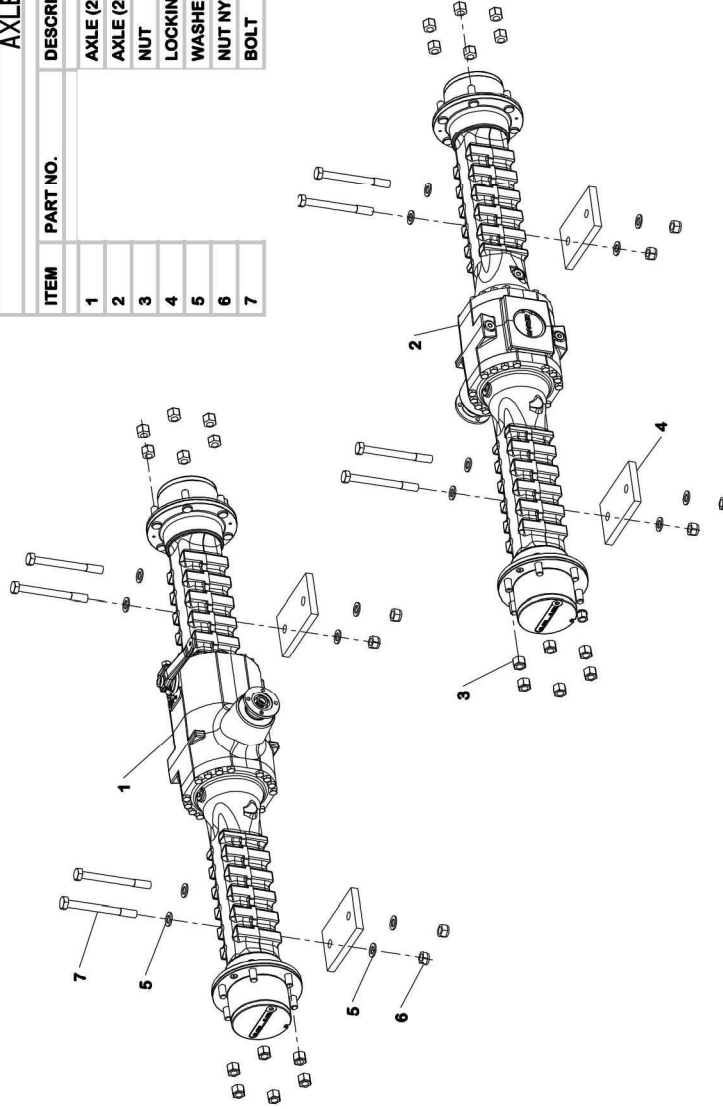


ELECTRIC GENERAL				
ITEM	PART NO.	DESCRIPTION	QTY	U/M
1		HORN	1	EA
2		HOURS METER	1	EA
3		BATTERY ISOLATOR	1	EA
4		REVERSE BLEEPER	1	EA
5		BRACKET	1	EA
6		SETSCREW	2	EA
7		SETSCREW	2	EA
8		NUT NYLOC BZP	2	EA
9		NUT NYLOC BZP	3	EA
N/A		BEACON LOOM	1	EA
N/A		ENGINE LOOM	1	EA
N/A		REVERSE BLEEPER LOOM	1	EA



SX2/3000, SXR3000

PART NO.		AXLES	
ITEM	DESCRIPTION	QTY	U/M
1	AXLE (2-3T FRONT) DANA	1	EA
2	AXLE (2-3T REAR) DANA	1	EA
3	NUT	24	EA
4	LOCKING PLATE	4	EA
5	WASHER BZP	16	EA
6	NUT NYLOC BZP	8	EA
7	BOLT	8	EA

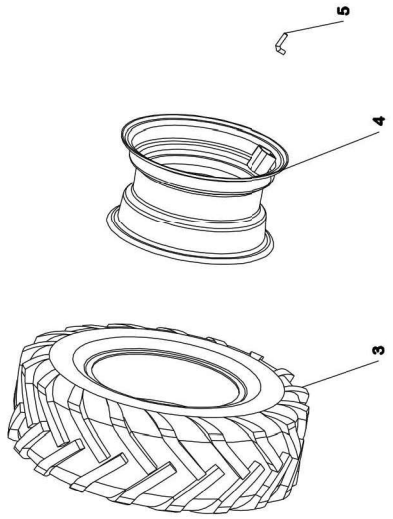


SX2/3000, SXR3000



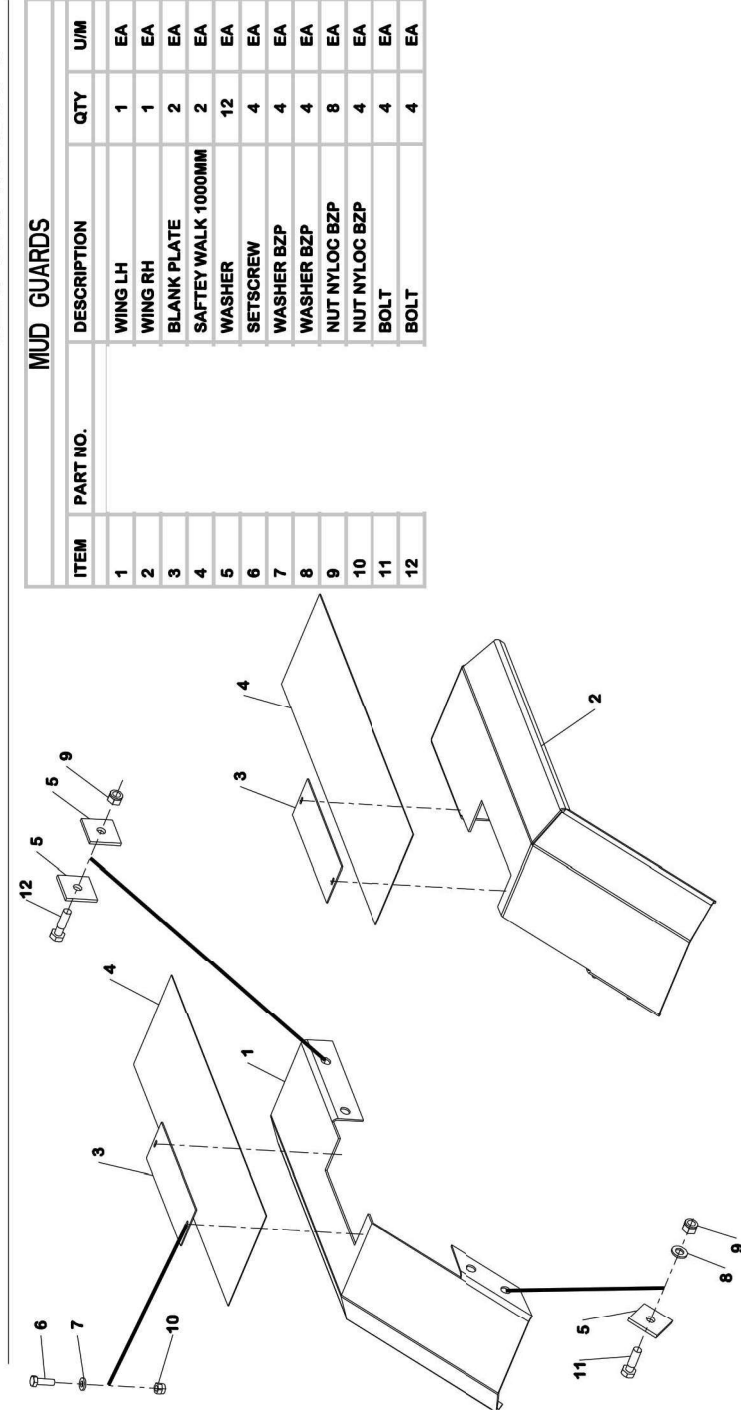
WHEELS AND TYRES

ITEM	PART NO.	DESCRIPTION	QTY	U/M
		SX2000		
1		TYRE ASS RH	2	EA
2		TYRE ASS LH	2	EA
3		TYRE 10.0/75-15.3 TUBELESS	4	EA
4		2T RIM (DANA AXLE)	4	EA
5		VALVE 2 & 3 T	4	EA
		SX3000, SXR3000		
1		WHEEL ASSY RH	2	EA
2		WHEEL ASSY LH	2	EA
3		TYRE 11.5/80-15.3 10PR TRAC AC	4	EA
4		3T RIM (DANA AXLE)	4	EA
5		VALVE 2 & 3 T	4	EA



FOR NON STANDARD WHEELS AND TYRES
PLEASE CONTACT YOUR DEALER QUOTING
YOUR MACHINE SERIAL NUMBER

SX2/3000



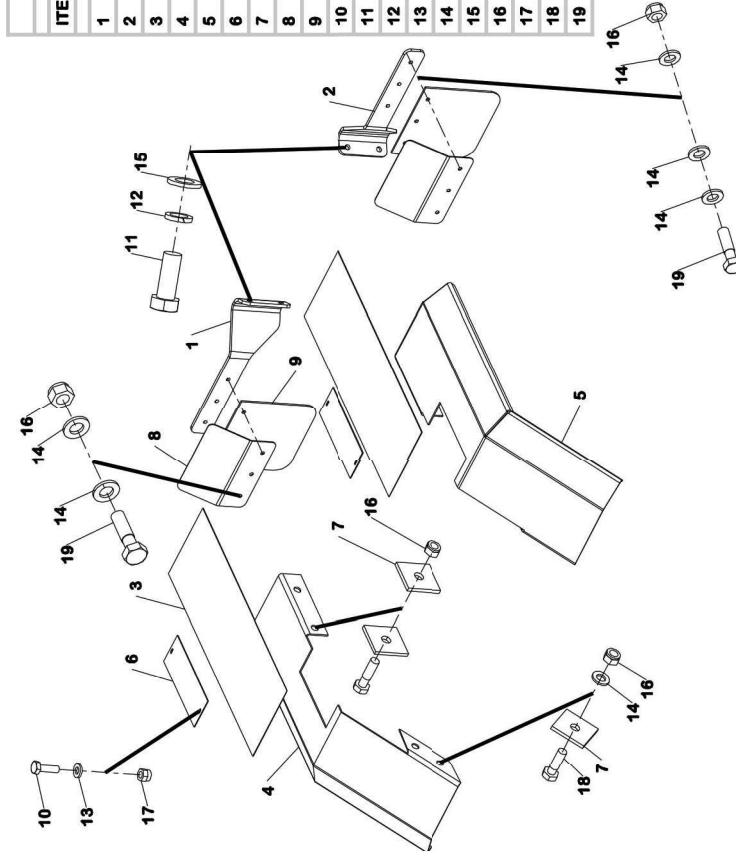
MUD GUARDS

ITEM	PART NO.	DESCRIPTION	QTY	U/M
1		WING LH	1	EA
2		WING RH	1	EA
3		BLANK PLATE	2	EA
4		SAFETY WALK 1000MM	2	EA
5		WASHER	12	EA
6		SETSCREW	4	EA
7		WASHER BZP	4	EA
8		WASHER BZP	4	EA
9		NUT NYLOC BZP	8	EA
10		NUT NYLOC BZP	4	EA
11		BOLT	4	EA
12		BOLT	4	EA



SXR3000

ITEM	PART NO.	DESCRIPTION	QTY	U/M
1		MUDGUARD LH	1	EA
2		MUDGUARD RH	1	EA
3		SAFTEY WALK 1000MM	2	EA
4		WING LH	1	EA
5		WING RH	1	EA
6		BLANK PLATE	2	EA
7		WASHER	12	EA
8		MUDSHIELD	2	EA
9		MUDFLAP	2	EA
10		SETSCREW	4	EA
11		SETSCREW	4	EA
12		WASHER SPRING	4	EA
13		WASHER BZP	4	EA
14		WASHER BZP	19	EA
15		WASHER BZP	4	EA
16		NUT NYLOC BZP	14	EA
17		NUT NYLOC BZP	4	EA
18		BOLT	4	EA
19		BOLT	10	EA

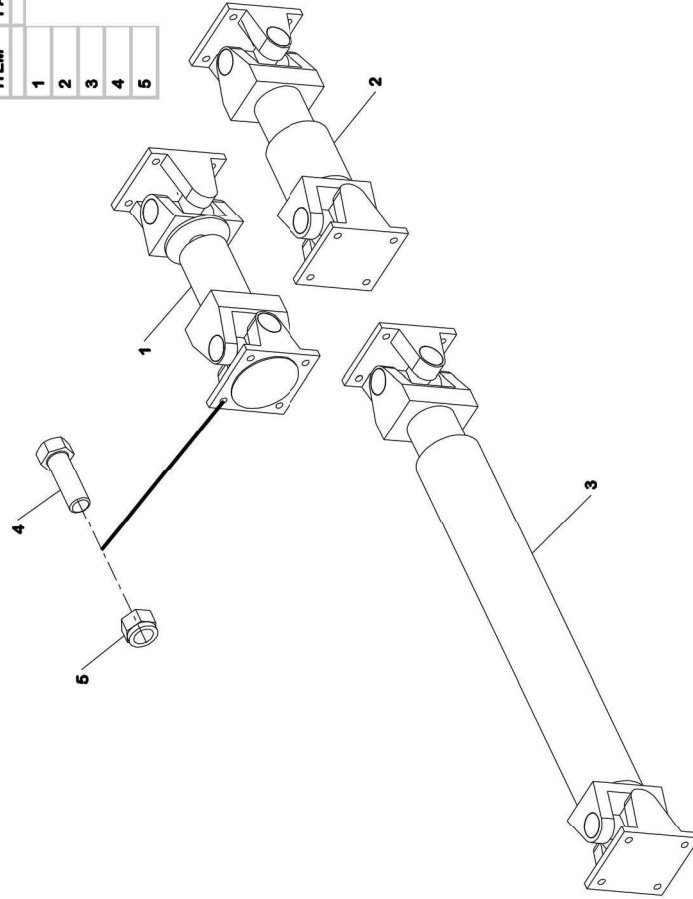




SX2/3000, SXR3000

PROP SHAFTS

ITEM	PART NO.	DESCRIPTION	QTY	U/M
1		PROPSHAFT	1	EA
2		PROPSHAFT	1	EA
3		PROPSHAFT	1	EA
4		BOLT	24	EA
5		NUT NYLOC	24	EA

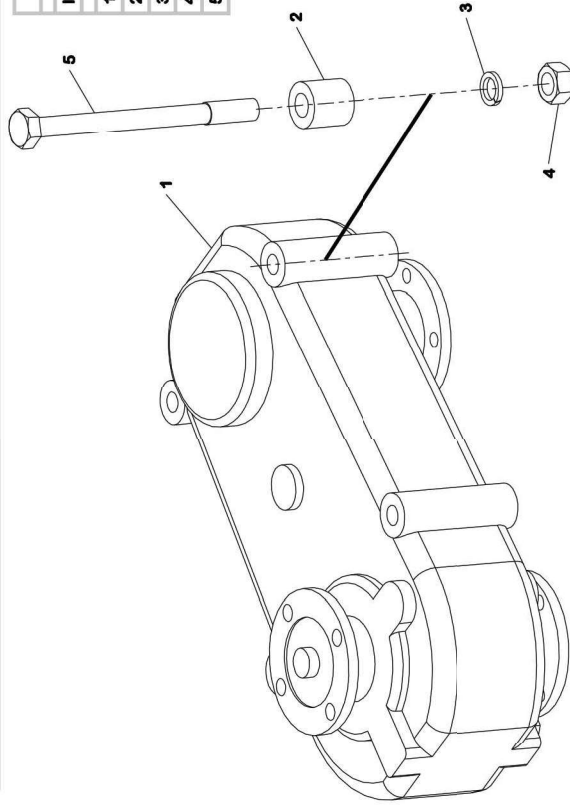


SX2/3000, SXR3000

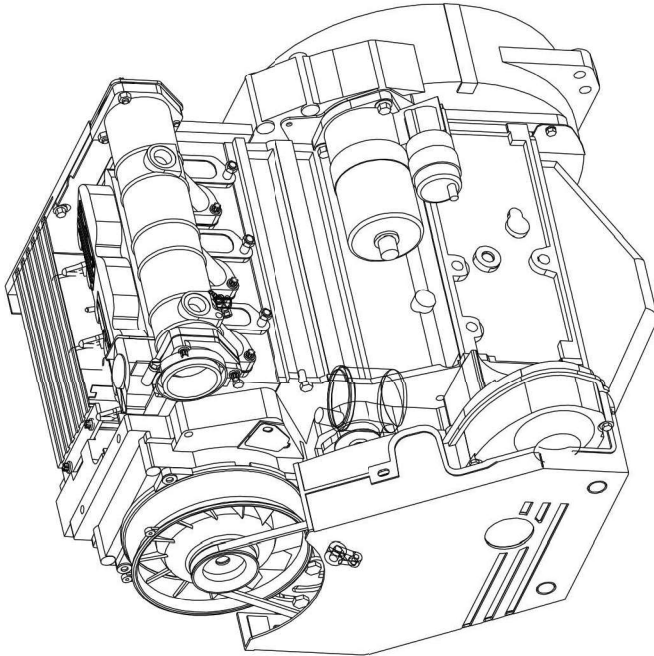


DROP BOX

ITEM	PART NO.	DESCRIPTION	QTY	U/M
1		TRANSFER BOX - 1.6/1	1	EA
2		SPACER (DROP BOX)	4	EA
3		WASHER SPRING	4	EA
4		M10 NUT BZP	4	EA
5		BOLT	4	EA



SX2/3000, SXR3000

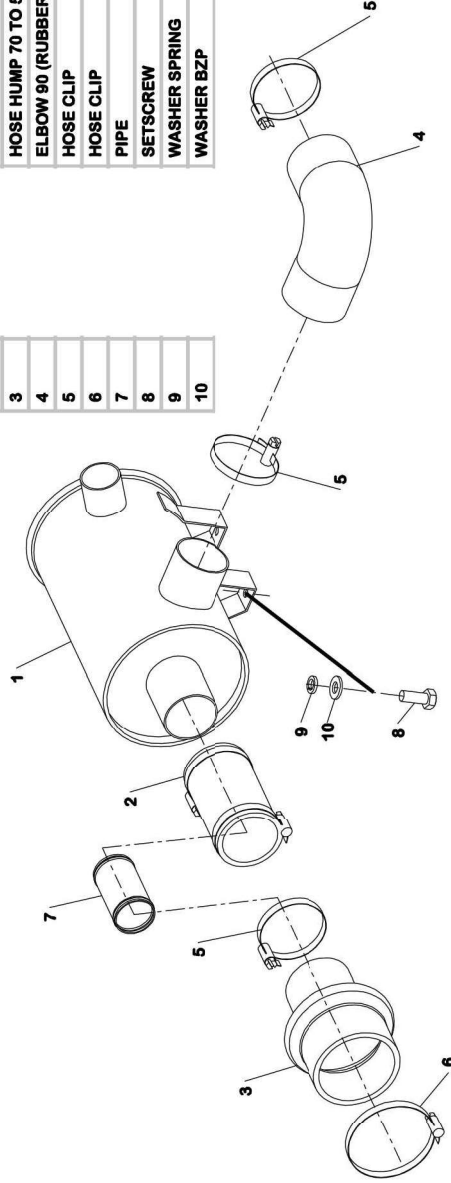


SX2/3000, SXR3000



AIR CLEANER

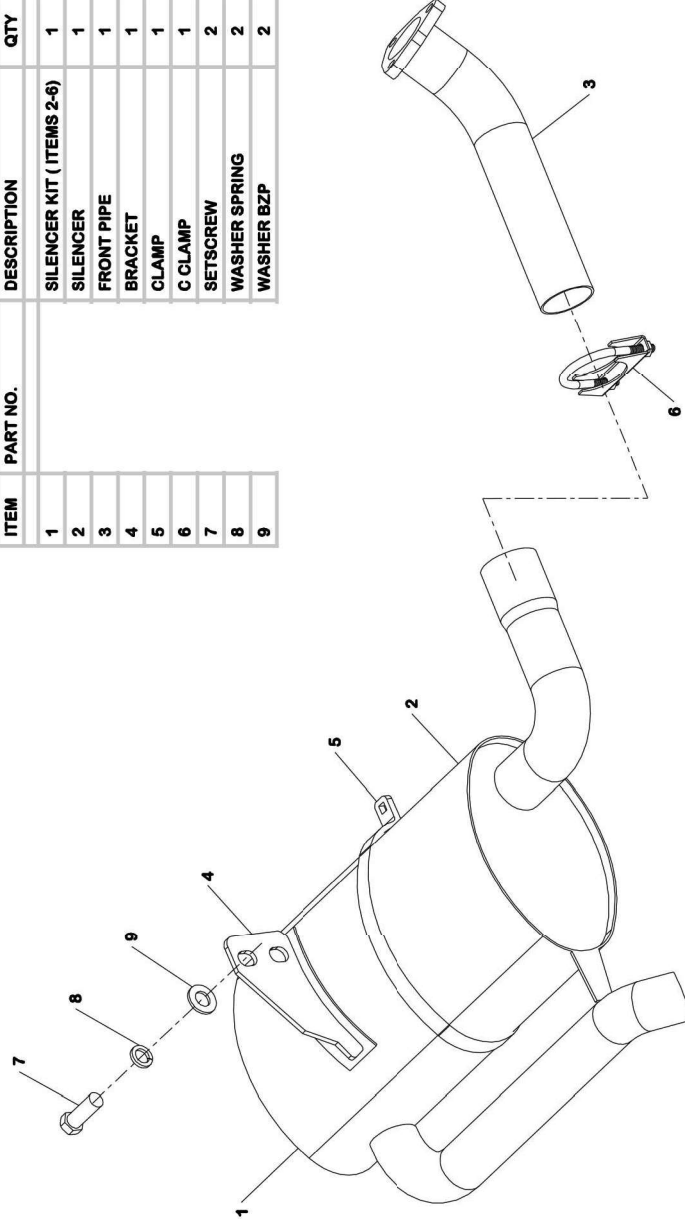
ITEM	PART NO.	DESCRIPTION	QTY	U/M
1		AIR CLEANER	1	EA
2		HOSE	1	EA
3		HOSE HUMP 70 TO 51MM	1	EA
4		ELBOW 90 (RUBBER) 2"	1	EA
5		HOSE CLIP	5	EA
6		HOSE CLIP	1	EA
7		PIPE	1	EA
8		SETSCREW	4	EA
9		WASHER SPRING	4	EA
10		WASHER BZP	4	EA





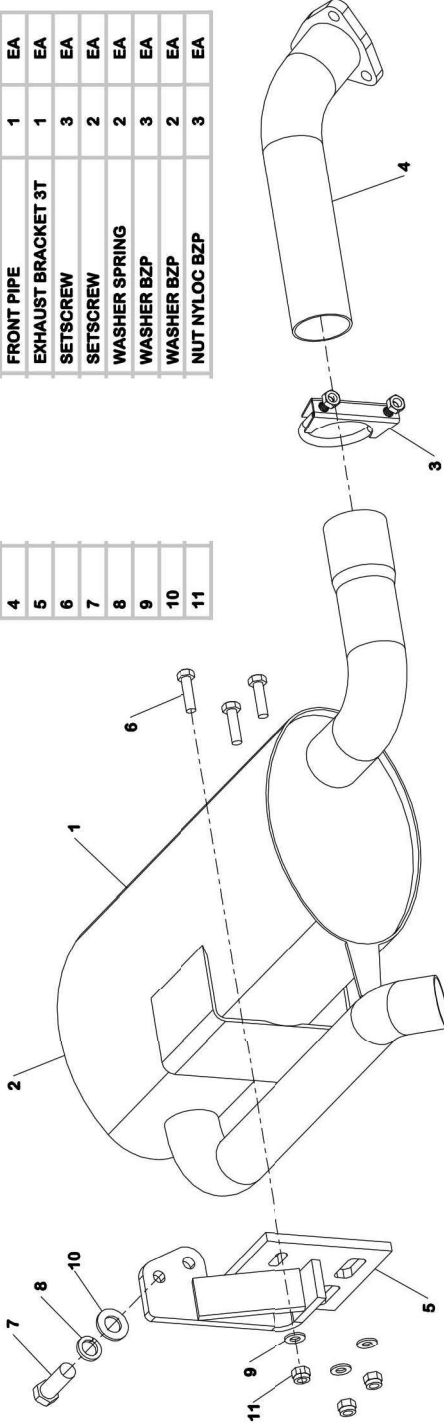
SX3000, SXR3000

EXHAUST				
ITEM	PART NO.	DESCRIPTION	QTY	U/M
1		SILENCER KIT (ITEMS 2-6)	1	EA
2		SILENCER	1	EA
3		FRONT PIPE	1	EA
4		BRACKET	1	EA
5		CLAMP	1	EA
6		C CLAMP	1	EA
7		SETSCREW	2	EA
8		WASHER SPRING	2	EA
9		WASHER BZP	2	EA



EXHAUST SX2000

EXHAUST				
ITEM	PART NO.	DESCRIPTION	QTY	U/M
1		MUFFLER ASSY (ITEM 2-4)	1	EA
2		SILENCER	1	EA
3		C CLAMP	1	EA
4		FRONT PIPE	1	EA
5		EXHAUST BRACKET 3T	1	EA
6		SETSCREW	3	EA
7		SETSCREW	2	EA
8		WASHER SPRING	2	EA
9		WASHER BZP	3	EA
10		WASHER BZP	2	EA
11		NUT NYLOC BZP	3	EA

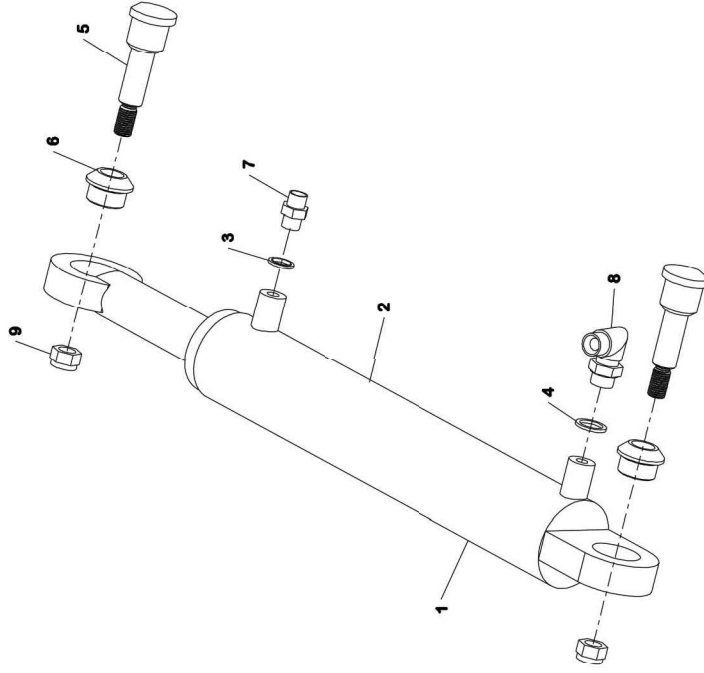




SX2/3000, SXR3000

STEERING RAM

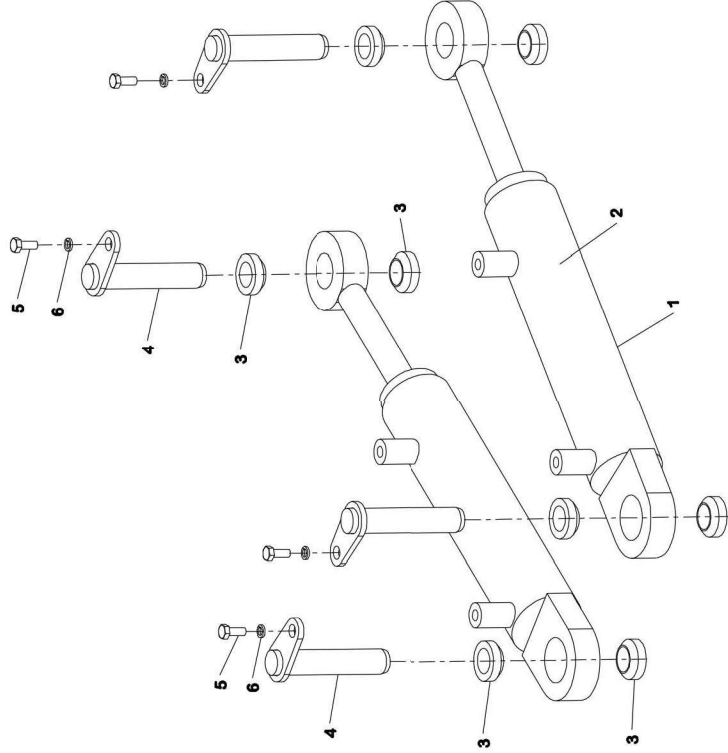
ITEM	PART NO.	DESCRIPTION	QTY	U/M
1		RAM	1	EA
2		RAM SEAL KIT SK 913	1	EA
3		BONDED SEAL	1	EA
4		BONDED SEAL	1	EA
5		STEER RAM PIN	2	EA
6		STEER RAM BUSH	2	EA
7		ADAPTER M-M 3/4" BSP	1	EA
8		ELBOW 1/2" BSP	1	EA
9		NUT NYLOC BZP	2	EA





SXR3000

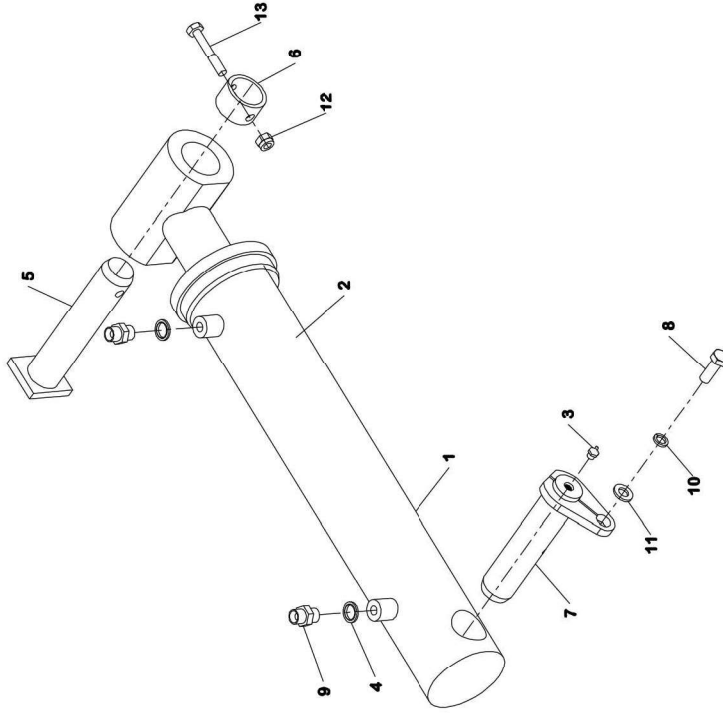
SLEW RAM					
ITEM	PART NO.	DESCRIPTION	QTY	U/M	
1		RAM	2	EA	
2		RAM SEAL KIT SK922	2	EA	
3		RAM SPACER	8	EA	
4		PIN SWIVEL RAM	4	EA	
5		SETSCREW	4	EA	
6		WASHER SPRING	4	EA	





SX2/3000

TIP RAM				
ITEM	PART NO.	DESCRIPTION	QTY	U/M
1		RAM	1	EA
2		RAM SEAL KIT 920	1	EA
3		GREAS NIPPLE 1/8" BSPF	2	EA
4		BONDED SEAL	2	EA
5		TIP PIVOT PIN	1	EA
6		COLLAR	1	EA
7		TIP RAM PIN	1	EA
8		SETSCREW	1	EA
9		ADAPTER M-M 3/4" BSP	2	EA
10		WASHER SPRING	1	EA
11		WASHER BZP	1	EA
12		NUT NYLOC BZP	1	EA
13		BOLT	1	EA

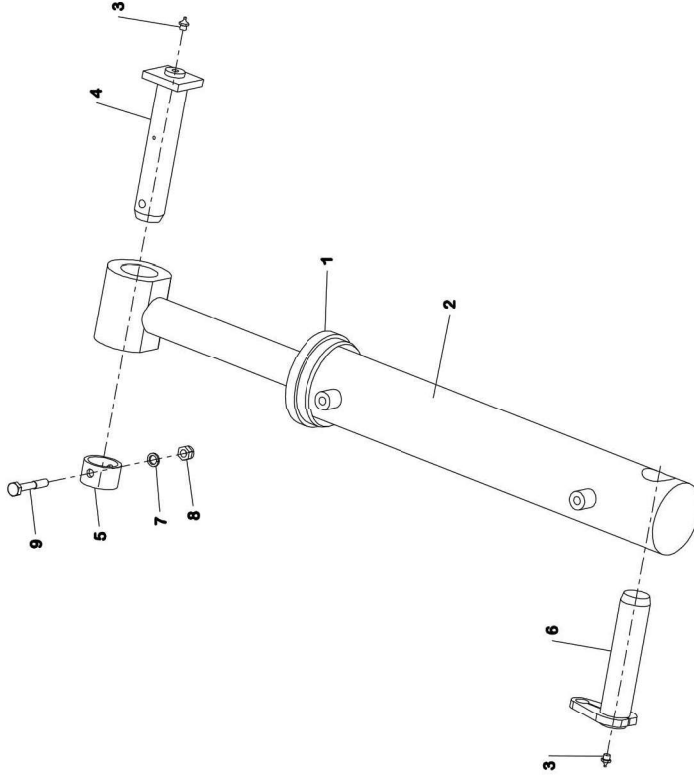




SXR3000

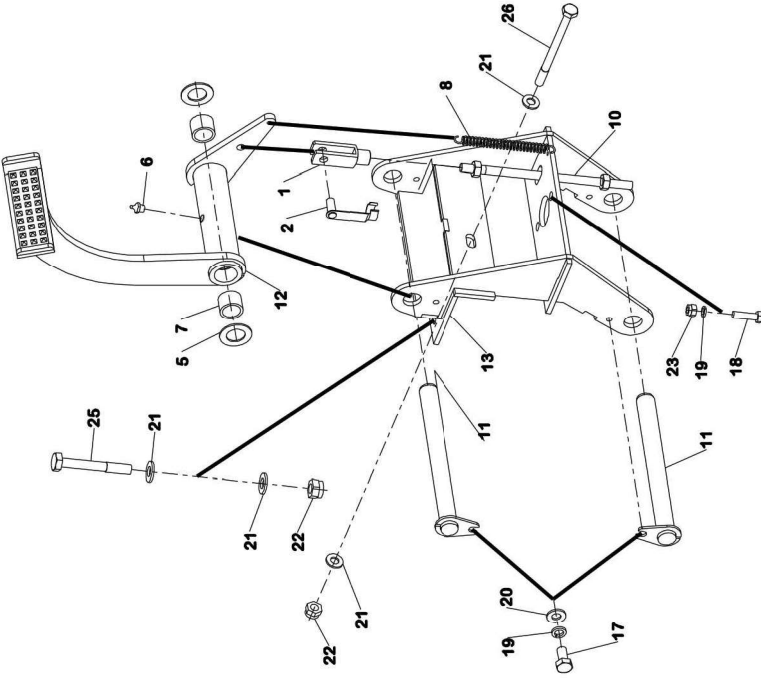
ITEM	PART NO.	DESCRIPTION	QTY	U/M
1		RAM	1	EA
2		RAM SEAL KIT 920	1	EA
3		GREAS NIPPLE 1/8" BSPF	2	EA
4		TIP PIVOT PIN	1	EA
5		COLLAR	1	EA
6		TIP RAM PIN	1	EA
7		WASHER SPRING	1	EA
8		NUT NYLOC BZP	1	EA
9		BOLT	1	EA

TIP RAM ROTA



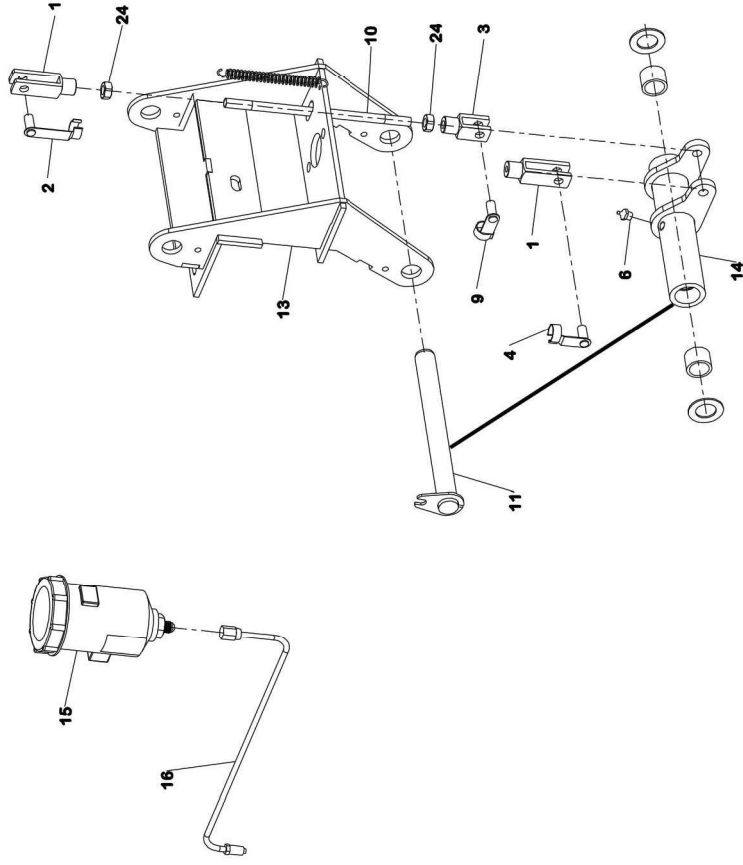


SX2/3000, SXR3000



BRAKES				
ITEM	PART NO.	DESCRIPTION	QTY	U/M
1		CLEVIS	2	EA
2		CLEVIS	1	EA
3		FORK HEAD	1	EA
4		PIN SPRING	1	EA
5		PLATED WASHER	4	EA
6		GREAS NIPPLE 1/8" BSPF	2	EA
7		OIL RETAINING BUSH	4	EA
8		SPRING	1	EA
9		(A)SPRING PIN 3/8"	1	EA
10		BRAKE ROD	1	EA
11		PIVOT PIN	2	EA
12		PEDAL	1	EA
13		BRACKET	1	EA
14		LEVER BAR	1	EA
15		RESEVOIR	1	EA
16		PIPE	1	EA
17		SETSCREW	2	EA
18		SETSCREW	2	EA
19		WASHER SPRING	4	EA
20		WASHER BZP	2	EA
21		WASHER BZP	6	EA
22		NUT NYLOC BZP	3	EA
23		NUT NYLOC BZP	4	EA
24		M10 NUT BZP	2	EA
25		BOLT	2	EA
26		BOLT	1	EA

SX2/3000, SXR3000

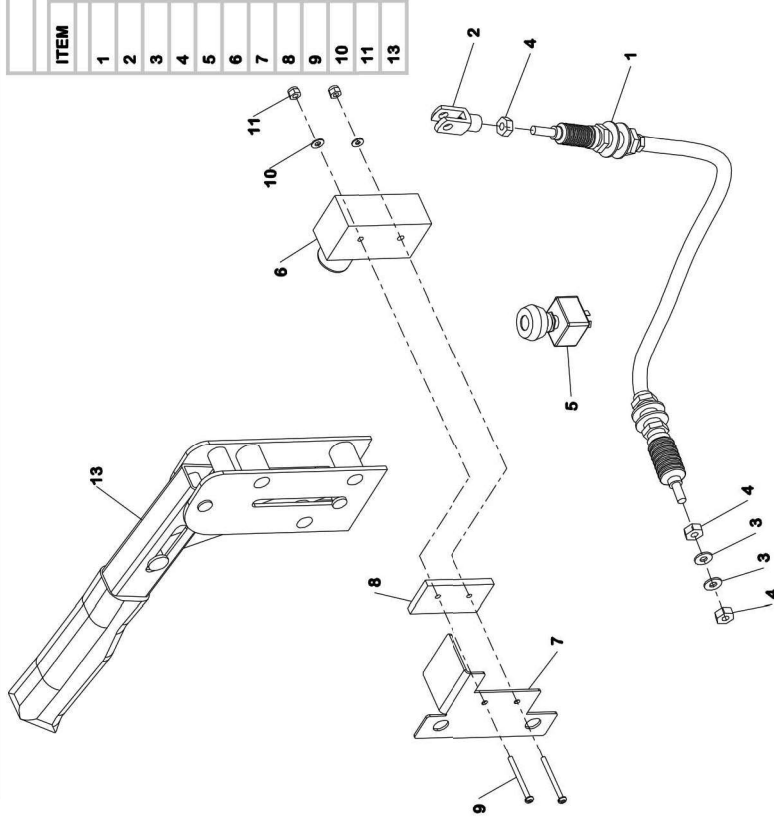




SX2/3000, SXR3000

PARKING BRAKE

ITEM	PART NO.	DESCRIPTION	QTY	U/M
1		CABLE HANDBRAKE (ITEMS 2-4)	1	EA
2		FORK HEAD	1	EA
3		PLAIN WASHER5/16 INS.	2	EA
4		NUT	3	EA
5		ROTARY SWITCH	1	EA
6		MICRO SWITCH	1	EA
7		COVER	1	EA
8		HANDBRAKE M/S SPACER	1	EA
9		PANHEAD SCREW	2	EA
10		WASHER BZP	2	EA
11		NUT NYLOC BZP	2	EA
13		LEVER HANDBRAKE	1	EA

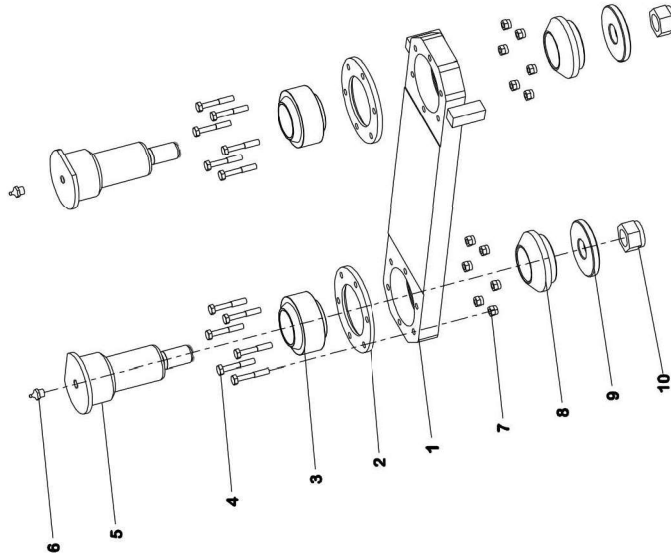


SX2/3000, SXR3000



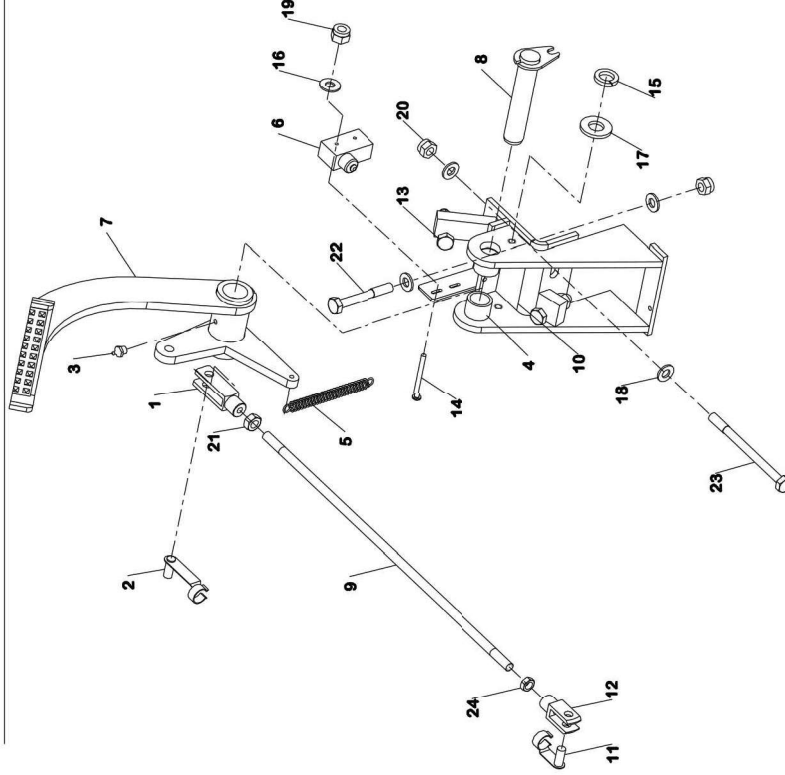
TOP LINKS AND PINS

ITEM	PART NO.	DESCRIPTION	QTY	U/M
1		TOP LINK	1	EA
2		BEARING CAP	2	EA
3		(A)45 I/D SPH BEARING	2	EA
4		BOLT	12	EA
5		TOP PIN	2	EA
6		GREAS NIPPLE 1/8" BSPF	2	EA
7		NUT NYLOC BZP	12	EA
8		TOP BUSH	2	EA
9		TOP WASHER	2	EA
10		NUT NYLOC BZP	2	EA



SX2/3000, SXR3000

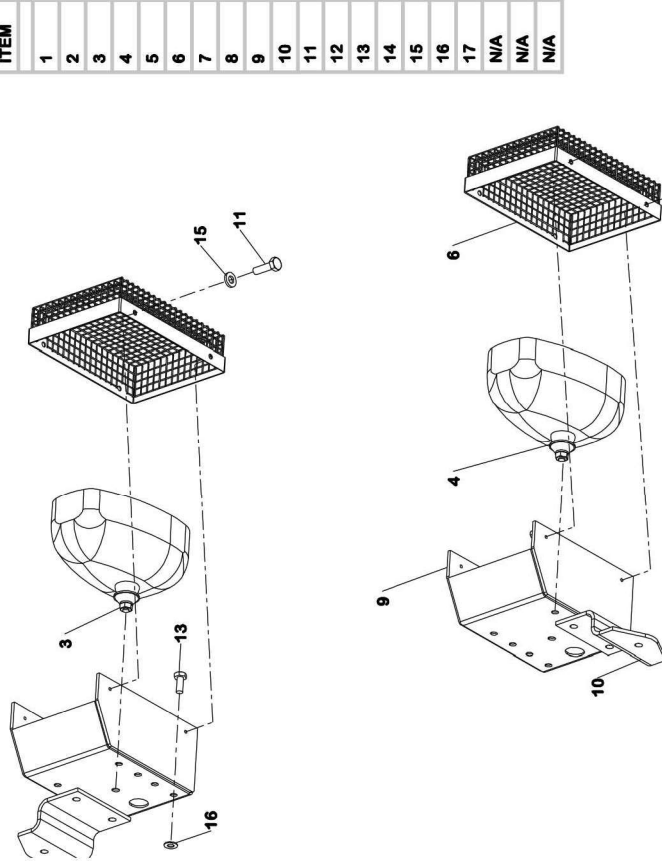
ITEM	PART NO.	DESCRIPTION	QTY	U/M
1		CLEVIS	1	EA
2		CLEVIS	1	EA
3		GREAS NIPPLE 1/8" BSPF	1	EA
4		OIL RETAINING BUSH	2	EA
5		SPRING	1	EA
6		MICRO SWITCH	1	EA
7		CLUTCH PEDAL	1	EA
8		PIVOT PIN	1	EA
9		CLUTCH ROD	1	EA
10		CLUTCH BRACKET	1	EA
11		(A)SPRING PIN 3/8"	1	EA
12		CLEVIS	1	EA
13		SETSCREW	2	EA
14		PANHEAD SCREW	2	EA
15		WASHER SPRING	1	EA
16		WASHER BZP	4	EA
17		WASHER BZP	1	EA
18		WASHER BZP	4	EA
19		NUT NYLOC BZP	2	EA
20		NUT NYLOC BZP	2	EA
21		M10 NUT BZP	3	EA
22		BOLT	1	EA
23		BOLT	1	EA
24		NUT	1	EA



SX2/3000 SXR3000



LIGHTS-OPTION L.H. DIP



ITEM	PART NO.	DESCRIPTION	QTY	U/M
1		COMBINATION LAMP RH	1	EA
2		COMBINATION LAMP LH	1	EA
3		HEADLAMP LH MT LH DIP	1	EA
4		HEADLAMP LH MT LH DIP	1	EA
5		BEACON	1	EA
6		LIGHT GUARD	2	EA
7		LAMP BRACKET	2	EA
8		LAMP BRACKET	2	EA
9		LAMP BRACKET	2	EA
10		LAMP BRACKET	2	EA
11		SETScrew	8	EA
12		SETScrew	8	EA
13		SETScrew	4	EA
14		WASHER SPRING	8	EA
15		WASHER BZP	8	EA
16		WASHER BZP	4	EA
17		NUT NYLOC BZP	8	EA
N/A		12V 21W SCC BULB	8	A/R
N/A		BULB SIDE LAMP 12V 5W	4	A/R
N/A		LOOM KIT ROAD LIGHTS SX3	1	A/R

SX2/3000 SXR3000

