

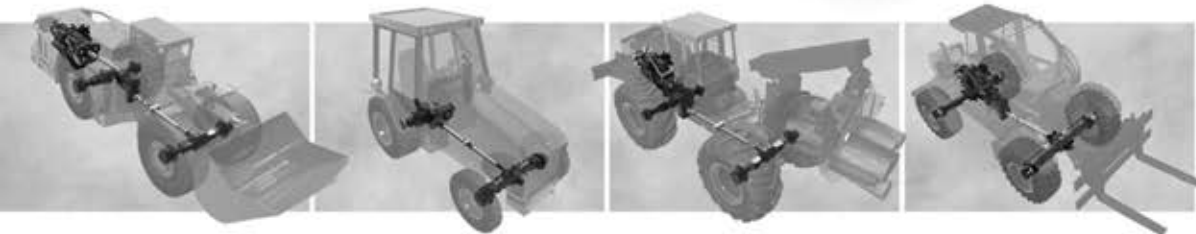
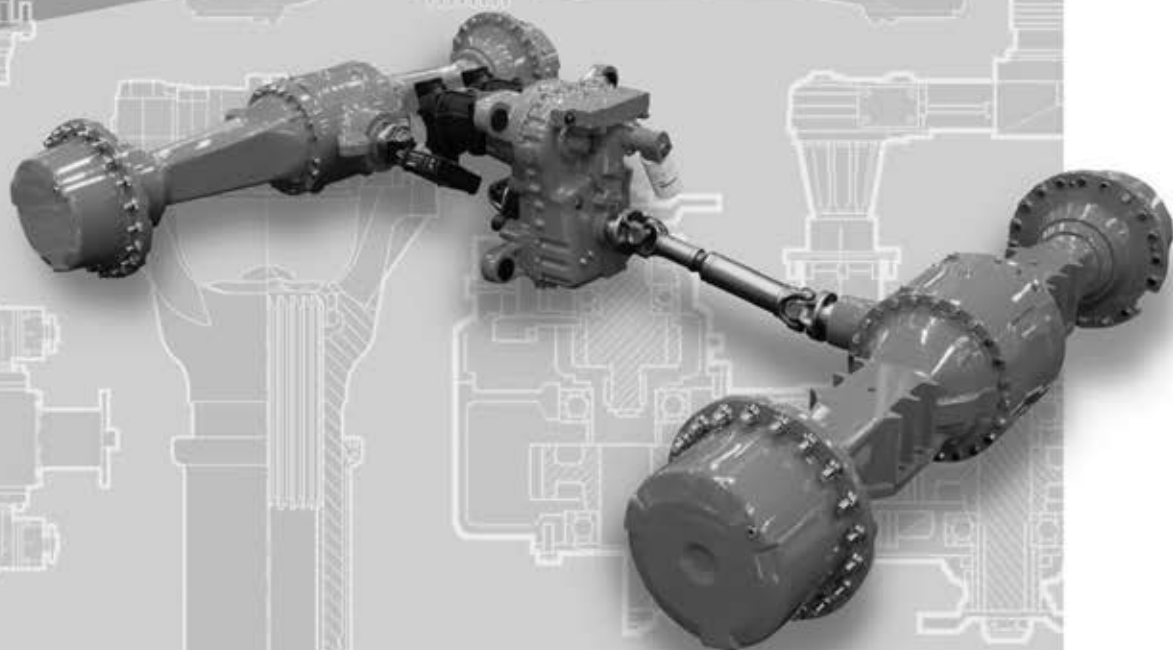


# PES

PLANT SALES & PARTS

Plant & Engineering Services Ltd  
Beare, Broadclyst  
Exeter  
Devon EX5 3JX  
Tel: 01392 882220  
Email: [office@pesplant.co.uk](mailto:office@pesplant.co.uk)  
[www.pesplant.co.uk](http://www.pesplant.co.uk)

**Off-Highway Systems**



**SPICER®**

## SPARE PART LIST

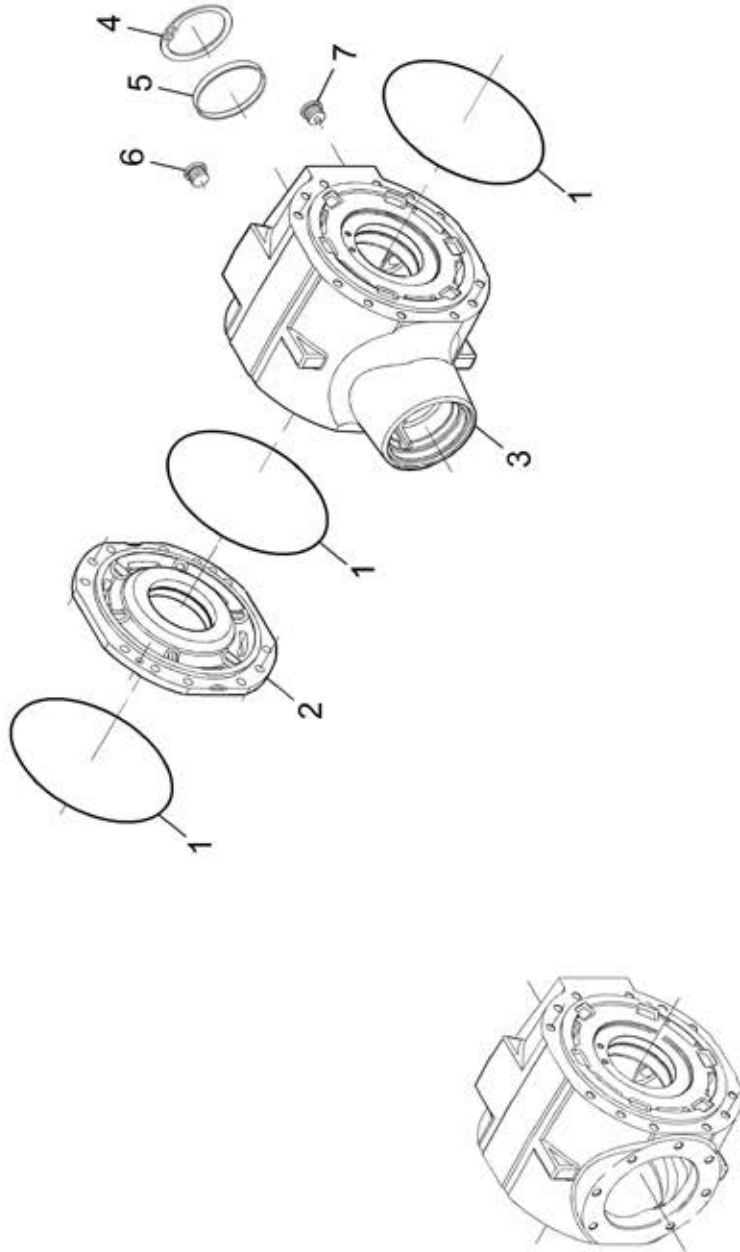
TYPE: 110/60



# PES

PLANT SALES & PARTS

Plant & Engineering Services Ltd  
Beare, Broadclyst  
Exeter  
Devon EX5 3JX  
Tel: 01392 882220  
Email: [office@pesplant.co.uk](mailto:office@pesplant.co.uk)  
[www.pesplant.co.uk](http://www.pesplant.co.uk)

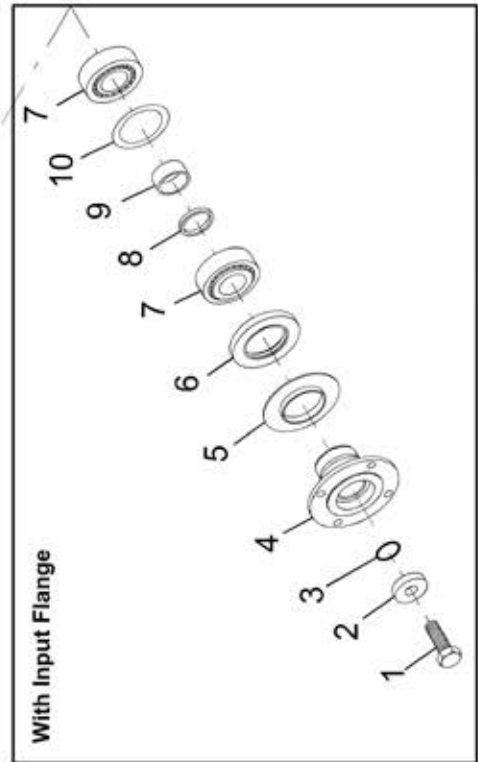
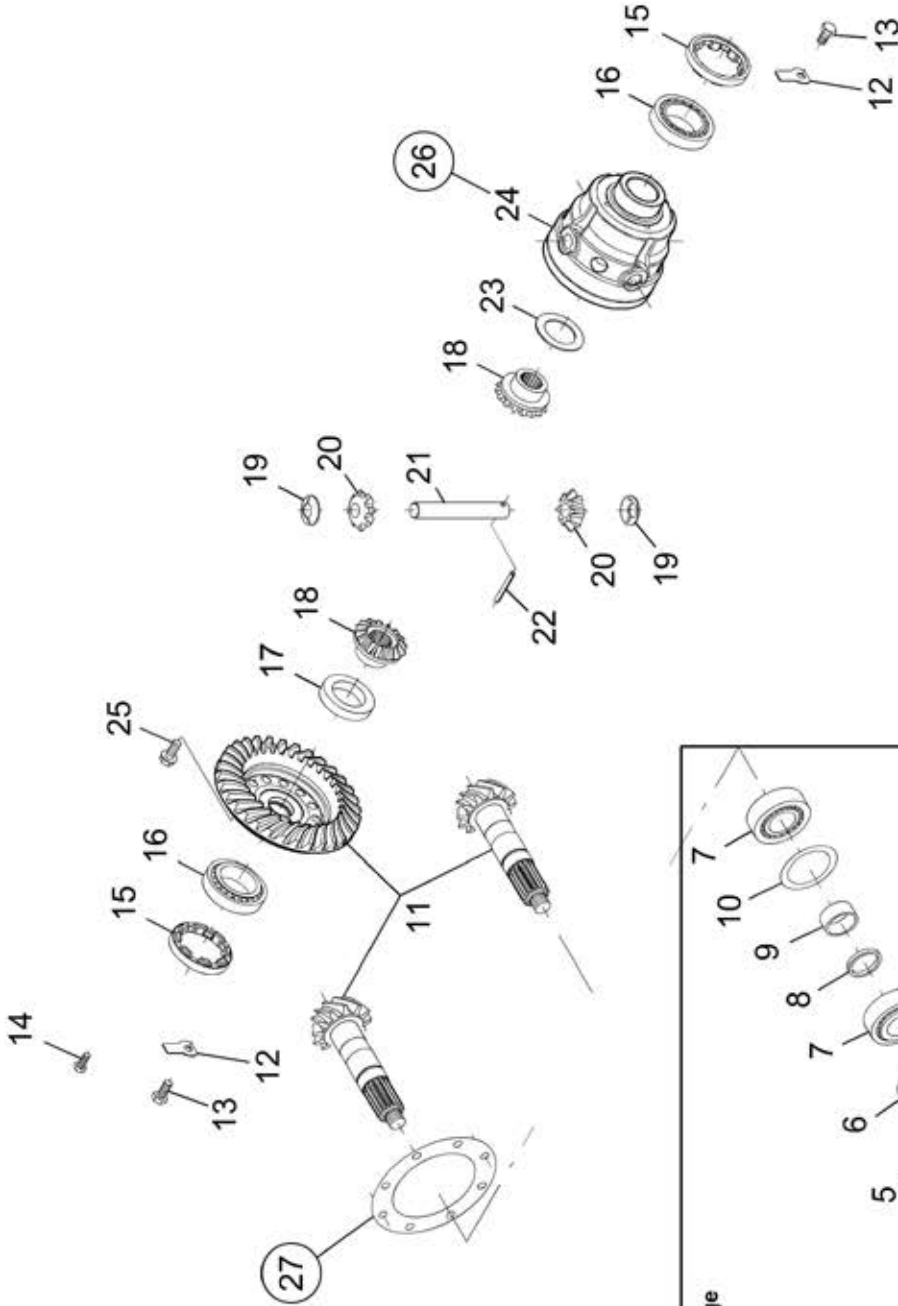




# PES

## PLANT SALES & PARTS

Plant & Engineering Services Ltd  
Beare, Broadclyst  
Exeter  
Devon EX5 3JX  
Tel: 01392 882220  
Email: office@pesplant.co.uk  
www.pesplant.co.uk



26 Position KIT = 17+18+19+20+21+22+23+24

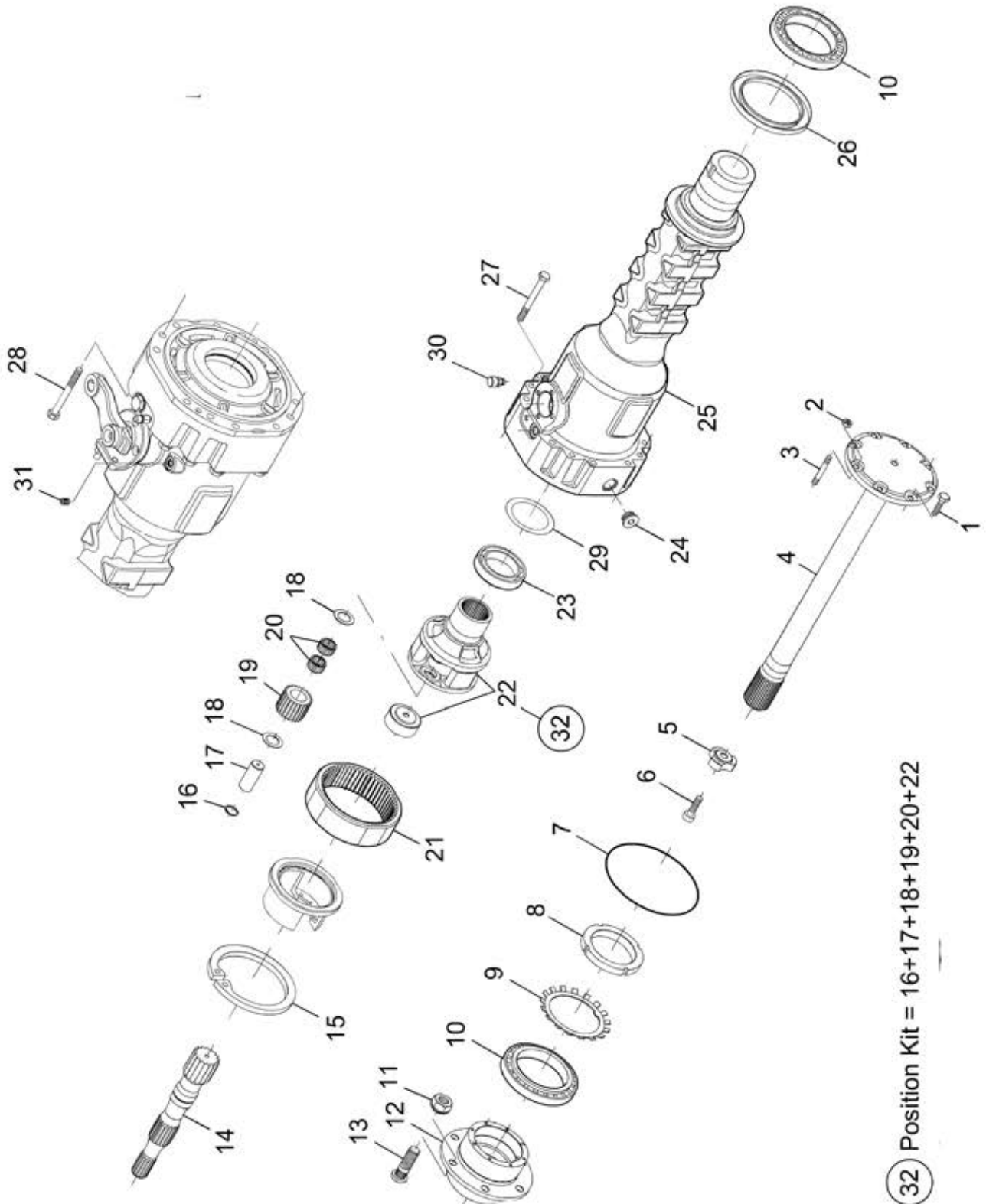
27 OPTIONAL



# PES

## PLANT SALES & PARTS

Plant & Engineering Services Ltd  
Beare, Broadclyst  
Exeter  
Devon EX5 3JX  
Tel: 01392 882220  
Email: office@pesplant.co.uk  
www.pesplant.co.uk



32 Position Kit = 16+17+18+19+20+22

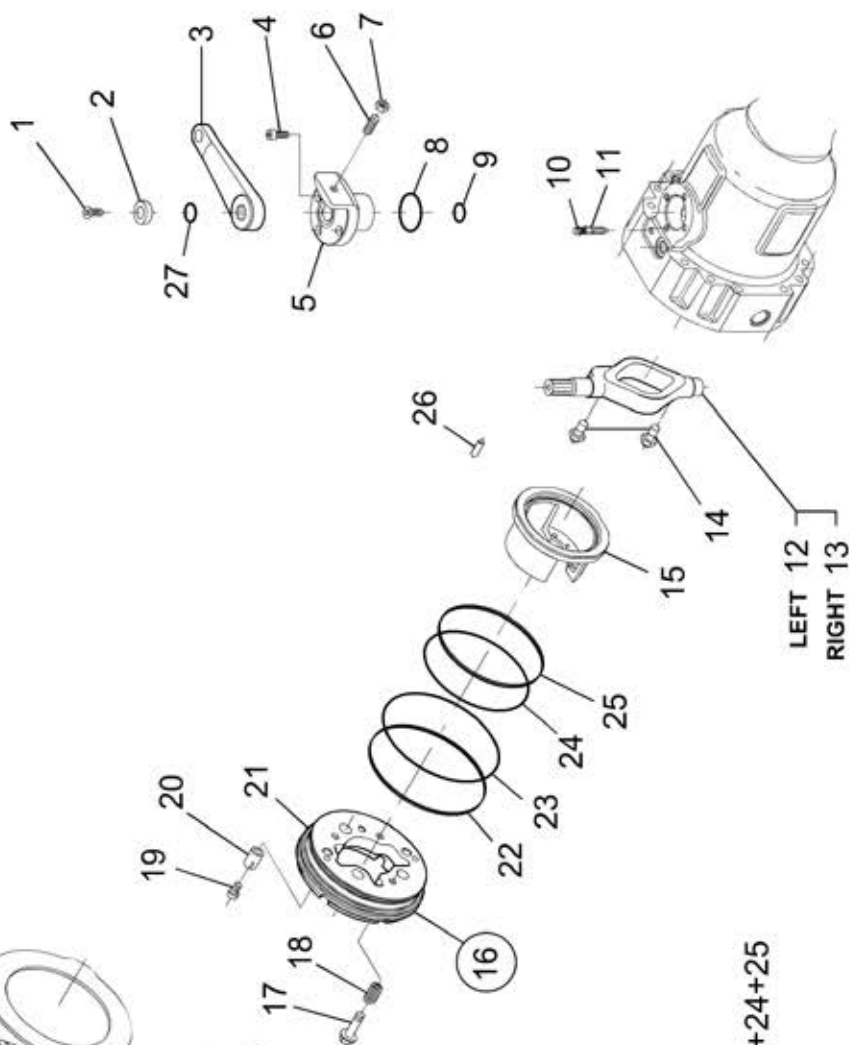
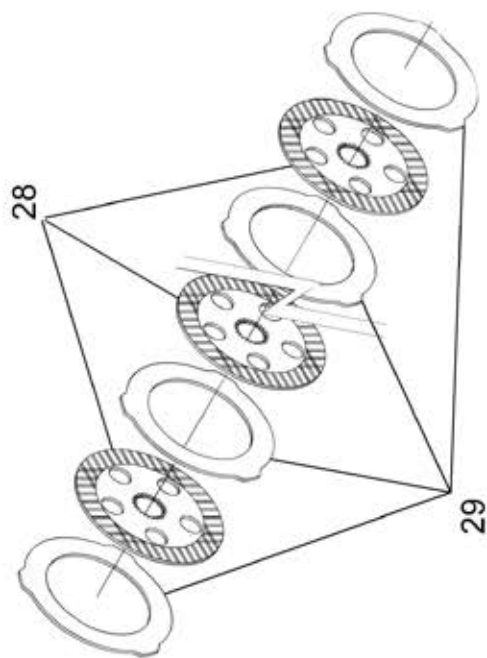


# PES

## PLANT SALES & PARTS

Plant & Engineering Services Ltd  
Beare, Broadclyst  
Exeter  
Devon EX5 3JX  
Tel: 01392 882220  
Email: office@pesplant.co.uk  
www.pesplant.co.uk

**Need to check if axle has  
one or two piece o'ring  
set-up changed to one  
piece approx Feb 2016**



16 Position KIT = 14+20+21+22+23+24+25

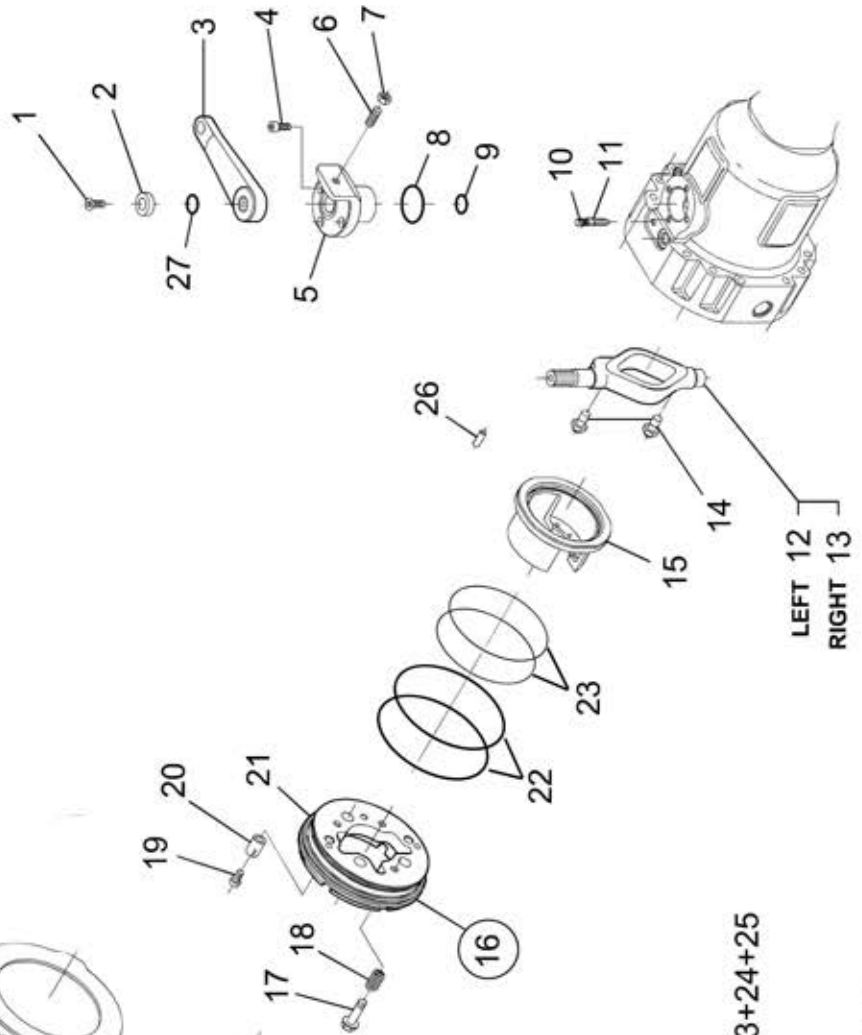
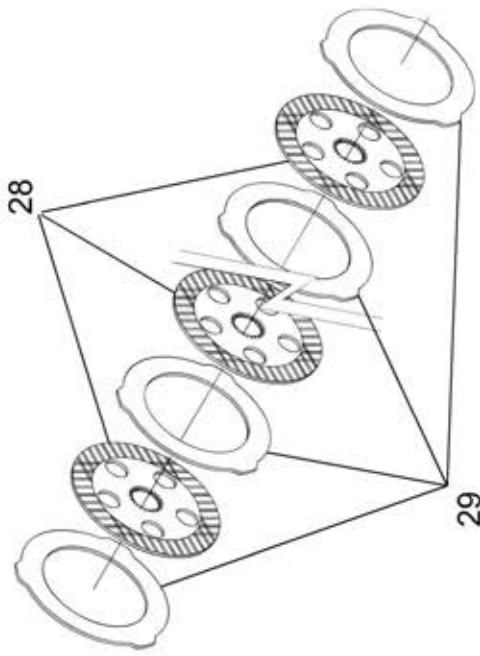


# PES

## PLANT SALES & PARTS

Plant & Engineering Services Ltd  
Beare, Broadclyst  
Exeter  
Devon EX5 3JX  
Tel: 01392 882220  
Email: office@pesplant.co.uk  
www.pesplant.co.uk

**Need to check if axle has  
one or two piece o'ring  
set-up changed to one  
piece approx Feb 2016**



LEFT 12  
RIGHT 13

16 Position KIT = 14+20+21+22+23+24+25